



Project Name : Untitled project 2025-10-29 17:23:47.125	Project ID :
Company Name :	
Department :	
Phone number :	
e-mail address :	

Requested Data

Flow : 18.24 m ³ /h	Fluid : Water
Head : 24.79 m	Density : 0.9983 kg/dm ³
	Viscosity : 1.005 mm ² /s
	Temperature : 20 °C
	pH-value at t A :
	Vapour pressure at t A : 0.0234 bar

Pump

Pump Model : CTC-32/160	Minimum Continuous Flow : 6 m ³ /h
No. of Stages : 1	Flow Nominal : 18.43 m ³ /h
Inlet / Outlet size : 50 x 32	Max- : 26.99 m ³ /h
Speed : 2900 1/min	Min- : 6 m ³ /h
Direction of Rotation : Clockwise from the drive end	Head Nominal : 25.03 m
Impeller type : Radial impeller	Max- : 33.64 m
Impeller Design : Closed	Min- : 14.78 m
Pumpset Weight (Approx) : 50 kg	Efficiency Overall Efficiency : 49.83 %
Pump Standard :	Pump Efficiency : 58.94 %

Motor

Motor Model : CTC-32/160	Insulation Class : F
Frequency : 50 Hz	Frame size : 90
Phase : 3~	Degree of Protection : IP 55
Rated Voltage : 380 V	Method of Starting : Direct starting
Rated current : 6.4 A	Service factor : 1.15
Rated Power P2 : 3 kW	Power factor : 0.87
Speed : 2900 1/min	
Efficiency : 84.6 %	
Motor Standard :	

Material of Construction

Pump casing	Cast Iron
Impeller	Cast Iron
Mechanical seal	Sic/Carbon/SS 304
O' Ring	Rubber
Oil Seal	Rubber
Shaft	Carbon Steel
Motor Case	Aluminium
Back Cover	Cast Iron
Fan Cover	Aluminium
Fan	Plastic
Counter/companion Flange	Galvanized Cast Iron

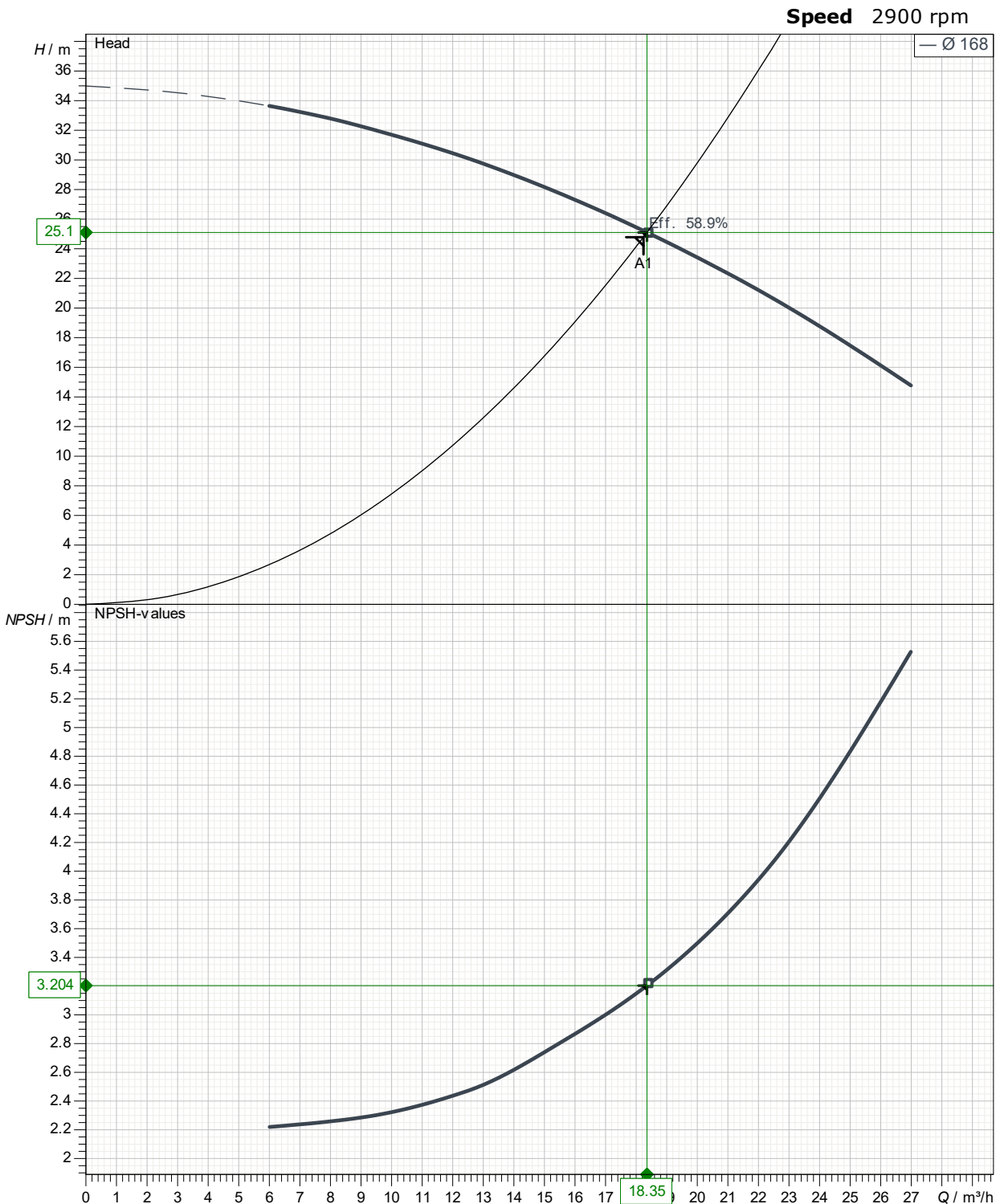


Project Name : Untitled project 2025-10-29 17:23:47.125

Project ID :

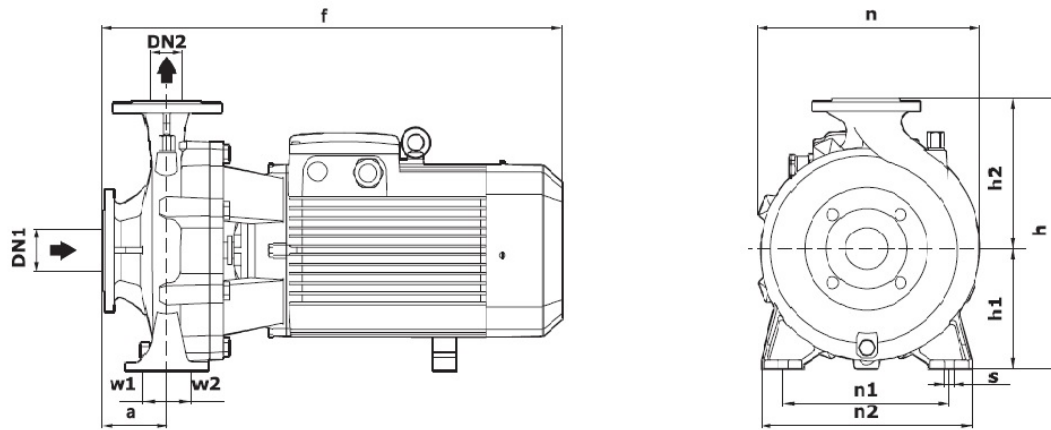
Company Name :
Department :
Phone number :
e-mail address :

Curve Tolerance ISO : 9906





Project Name : Untitled project 2025-10-29 17:23:47.125	Project ID :
Company Name :	
Department :	
Phone number :	
e-mail address :	



In View of continuous developments, The information/specifications/Description/ Illustrations are subject to change without notice.

Dimensions in mm

a	83	w1	35
DN1	50	w2	35
DN2	32		
f	470		
h	295		
h1	133		
h2	162		
n	245		
n1	190		
n2	245		