



Project Name : Untitled project 2025-10-30 10:00:52.276	Project ID :
Company Name :	
Department :	
Phone number :	
e-mail address :	

Requested Data

Flow : 104.8 m ³ /h	Fluid : Water
Head : 28.7 m	Density : 0.9983 kg/dm ³
	Viscosity : 1.005 mm ² /s
	Temperature : 20 °C
	pH-value at t A :
	Vapour pressure at t A : 0.0234 bar

Pump

Pump Model : CTC-65/160A	Minimum Continuous Flow : 45 m ³ /h
No. of Stages : 1	Flow Nominal : 105 m ³ /h
Inlet / Outlet size : 80 x 65	Max- : 119.8 m ³ /h
Speed : 2900 1/min	Min- : 45 m ³ /h
Direction of Rotation : Clockwise from the drive end	Head Nominal : 28.59 m
Impeller type : Radial impeller	Max- : 34.81 m
Impeller Design : Closed	Min- : 25.39 m
Pumpset Weight (Approx) : 106 kg	Efficiency Overall Efficiency : 68.69 %
Pump Standard :	Pump Efficiency : 76.84 %

Motor

Motor Model : CTC-65/160A	Insulation Class : F
Frequency : 50 Hz	Frame size : 132
Phase : 3~	Degree of Protection : IP 55
Rated Voltage : 380 V	Method of Starting : Star-delta
Rated current : 21.8 A	Service factor : 1.15
Rated Power P2 : 11 kW	Power factor : 0.89
Speed : 2900 1/min	
Efficiency : 89.4 %	
Motor Standard :	

Material of Construction

Pump casing	Cast Iron
Impeller	Cast Iron
Mechanical seal	Sic/Carbon/SS 304
O' Ring	Rubber
Oil Seal	Rubber
Shaft	Carbon Steel
Motor Case	Aluminium
Back Cover	Cast Iron
Fan Cover	Aluminium
Fan	Plastic
Counter/companion Flange	Galvanized Cast Iron

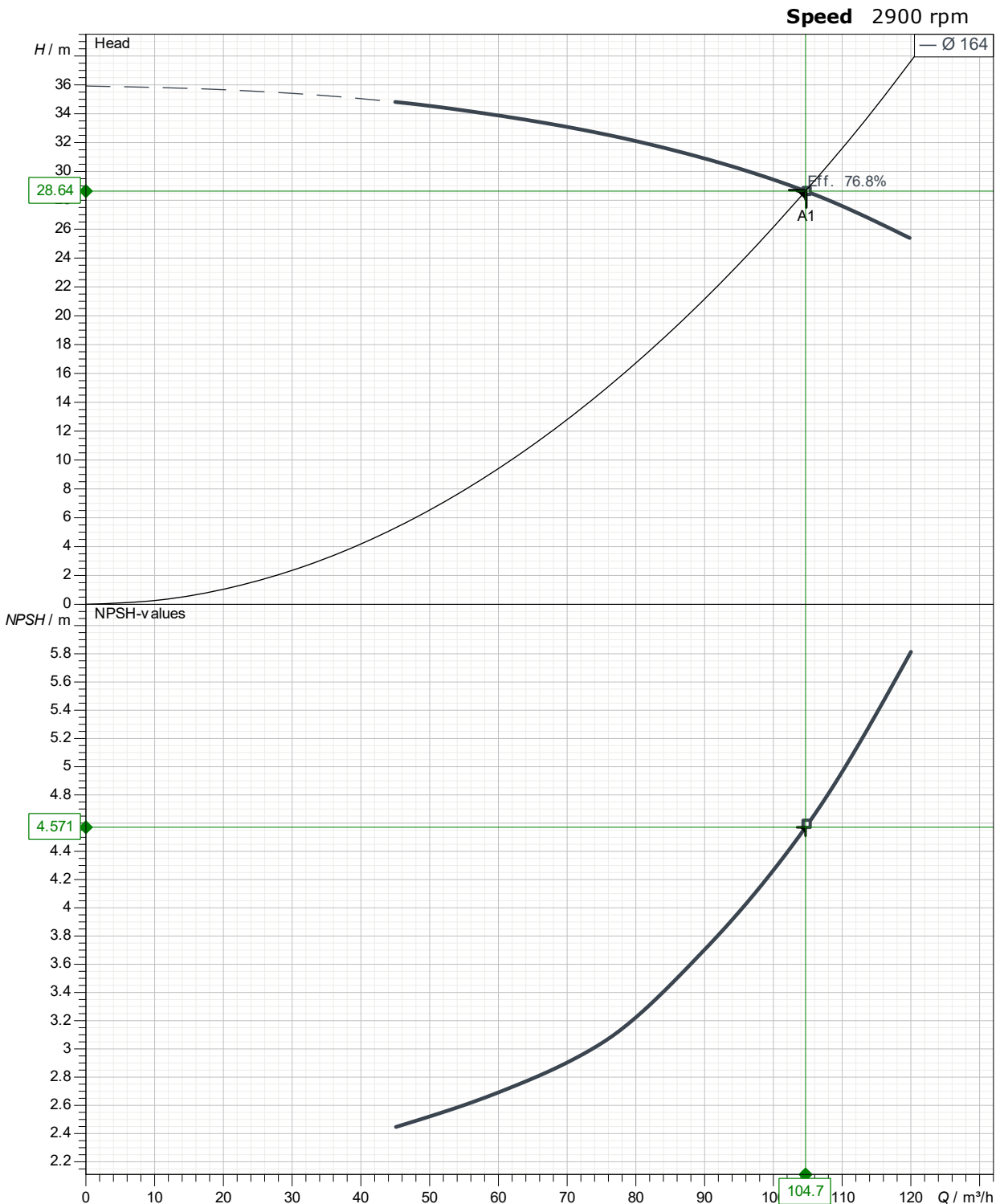


Project Name : Untitled project 2025-10-30 10:00:52.276

Project ID :

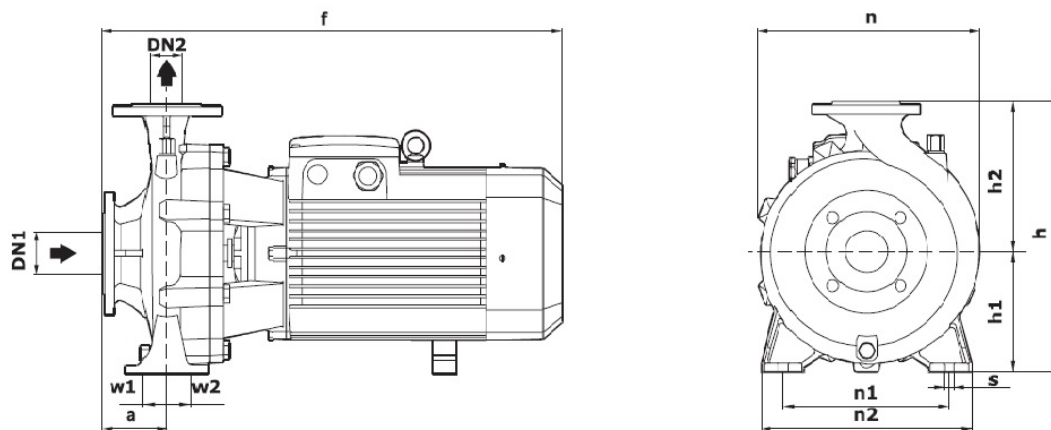
Company Name :
Department :
Phone number :
e-mail address :

Curve Tolerance ISO : 9906





Project Name : Untitled project 2025-10-30 10:00:52.276	Project ID :
Company Name :	
Department :	
Phone number :	
e-mail address :	



In View of continuous developments, The information/specifications/Description/ Illustrations are subject to change without notice.

Dimensions in mm

a	110	w1	49
DN1	80	w2	49
DN2	65		
f	730		
h	425		
h1	186		
h2	239		
n	330		
n1	232		
n2	309		