



**C.R.I. PUMPS**

Pumping trust. Worldwide.

# DEEPWELL SUBMERSIBLE PUMPS AND MOTORS

50Hz



An ISO 9001 & 14001 Company



\* For specific models only  
\* Products bearing CE mark  
are only CE certified



\*\* For specific models only  
\*\* Product bearings TSE mark  
are only TSE certified





**C.R.I. PUMPS**

Pumping trust. Worldwide.

## T H E B E G I N N I N G

of C.R.I., way back in 1961, was a resolute attempt to produce a few irrigation equipments using the limited facilities of an in-house foundry. Eventually the founder's dream was coming true as the small production unit he started kept growing rapidly. Now, after more than five eventful decades, it is an enormous, widely reputed organization, which produces more than 2300 varieties of perfectly engineered pumps and motors and sells its products in numerous countries spread across 6 continents.

## C . R . I . I S O N E A M O N G

the few pioneers in the world to produce 100% stainless steel submersible pumps. Having achieved a record production capacity of over 2 million pumps per annum, today C.R.I. is rubbing its shoulders with the best brands in the world, with advanced technology and safety standards as its hallmarks.

## T H E I N F R A S T R U C T U R E

of C.R.I. is pretty comprehensive with state-of-the-art machineries and high potential in-house R&D recognised by the ministry of science and technology, Govt. of India - all within its own covered area of 300,000 square metres. The production environment is accredited with ISO 9001 certifications and the products are CE, CSA, IEC, TSE & ISI certified. The R&D team always stays in tune with the changing scenario and seldom fails in coming up with outstanding solutions every time.

## N E E D L E S S T O S A Y ,

behind this legendary growth lies the untiring, innovative, enthusiastic and dedicated team work. and, of course, a flawlessly maintained value system too. The name C.R.I. itself encapsulates the company's ethos: " Commitment, Reliability, Innovation".





**C.R.I. FLUID SYSTEMS**

Pumping trust. Worldwide.

## Vision, Mission and values

To be the industry leader providing best - in - class fluid management solutions to individual and institutional customers and societies in our chosen markets.

We will achieve this through our dedicated efforts to enhance the welfare of all our stakeholders and by living by our values of commitment, reliability and Innovation.

## C O N T E N T S

Page No.

	Page No.
<b>STAINLESS STEEL SERIES</b>	
Performance curve conditions	5
Model Identification Code	6
Description, Features & Applications	8
Pumped liquids	9
Group performance curves	10-12
Material of construction	13-16
Exploded views	17-21
Dimensions & Weight Data, Performance Table and Curves	22-89
<b>SILVER LINE SERIES</b>	
Description, Features & Applications	91
Pumped liquids	92
Group performance curves	93
Material of construction	94-95
Exploded views	96-98
Dimensions & Weight Data, Performance Table and Curves	100-117
<b>SUBMERSIBLE MOTORS</b>	
	118
<b>MODEL IDENTIFICATION CODE</b>	
	119
<b>OIL FILLED SUBMERSIBLE MOTORS</b>	
Description, Features and Applications	120
4" Motors	
Exploded View	121-122
Technical Specifications and Materials of Construction	123-124
Electrical Data, Dimensions & Weight Data	125
<b>RESIN FILLED ENCAPSULATED SUBMERSIBLE MOTORS</b>	
Description, Features and Applications	126
4" Motors	
Technical Specifications and Materials of Construction	127-128
Exploded View	129-130
Electrical Data, GAD, Dimensions & Weight Data	131-133
6" Motors	
Technical Specification and Materials of Construction	134-135
Exploded View	136
Electrical Data, GAD, Dimensions & Weight Data	137
<b>WATER FILLED REWINDABLE SUBMERSIBLE MOTORS</b>	
Description, Features & Applications	138
Exploded View	139-148
4" Motors	
Technical Specification and Materials of Construction	149-151
Electrical Data, GAD, Dimensions & Weight Data	152
6" Motors	
Technical Specification and Materials of Construction	153-155
Electrical Data, GAD, Dimensions & Weight Data	156-161
7" Motors	
Technical Specification and Materials of Construction	162-163
Electrical Data, GAD, Dimensions & Weight Data	164
8" Motors	
Technical Specification and Materials of Construction	165-167
Electrical Data, GAD, Dimensions & Weight Data	168-169
10" Motors	
Technical Specification and Materials of Construction	170-171
Electrical Data, GAD, Dimensions & Weight Data	172-173
Cable Selection Chart	174-175
Pipe Friction Loss Table	176-177
Conversion Table	178-179



## GENERAL INFORMATION

### STAINLESS STEEL & SILVERLINE SERIES

#### PERFORMANCE CURVE CONDITIONS

- a. The Performance curve shows the pump performance at rated speed, voltage and @ 3 metre minimum submergence.

The nominal speed of pump

4" : n = 2850 rpm

6" : n = 2870 rpm

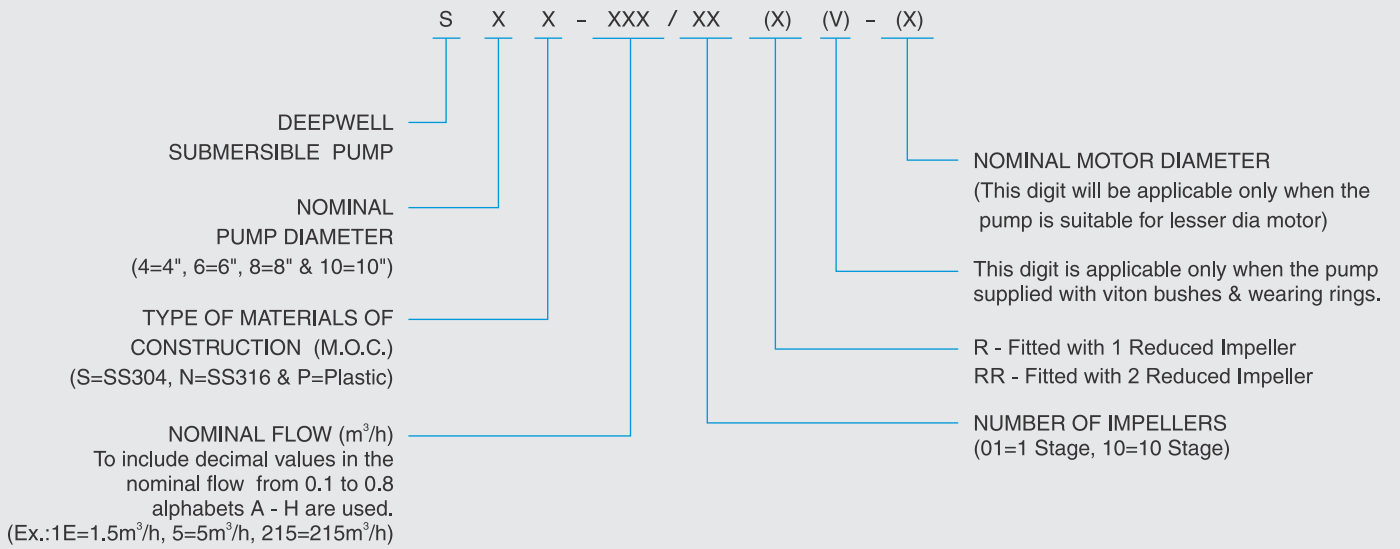
8" & 10" : n = 2900 rpm

- b. The measurements were made with airless water at 20°C and specific gravity of 1. When pumping liquids with a density higher than that of water, motor with correspondingly higher output must be used.
- c. Pipe friction losses have not been included in the performance curves and tables.
- d. The bold curve indicates the recommended operating range.
- e. Q/H: The curves are inclusive of check valve and suction inter-connector losses at the rated speed.
- f. Efficiency curve: "η %" shows pump stage efficiency.
- g. Performance curve tolerances are as per HI: 14.6/ISO : 9906, Grade - 3B
- h. All mounting dimensions are in accordance with NEMA/International standards.
- i. The pump outlet threads are as per BSP standard.
- j. Available type of materials of construction S (SS 304) and N (SS 316). Type N the third digit of the pump model. "S" will be replaced with "N". The given performance curves are common for type S & N.
- k. The performance readings were taken at rated voltage and are only indicative. Actual discharge may vary depends on availability of water, height of water column above pump and operating voltage.

# GENERAL INFORMATION

## STAINLESS STEEL & SILVER LINE SERIES MODEL IDENTIFICATION CODE

### DEEPWELL SUBMERSIBLE PUMP



<b>DEEPWELL SUBMERSIBLE PUMP SET (Pump + Motor)</b>		
PUMP MODEL	+	MOTOR MODEL
S X X - XXX / XX	+	X X X - XXX X
<b>DEEPWELL SUBMERSIBLE PUMP SET (Pump + Motor)</b>		
PUMP MODEL	+	MOTOR MODEL
S6S - 18 / 03	+	W6A - 22 T

**Sample Description:**

- S6N-14/05-4 : 3.0kW 2" BSP Sub Pump ~ 50Hz (19mm)
- S10S-160/10RR-8 :110kW, 6"BSP SD Sub Pump ~ 50Hz (SPLINES)
- S4P-10/15 : 3.0kW, 2" BSP Sub.Pump ~ 4", 50Hz



# STAINLESS STEEL S E R I E S



## Deepwell Submersible Pumps

### STAINLESS STEEL SERIES

C.R.I. stainless steel deep well / bore hole submersible pumps are of single or multistage type supplied with radial or mixed flow impellers for higher head and flow requirement. These pumps are made of corrosion resistant stainless steel material for long life. The pump shaft is supported with a radial bearing in each casing for long life and trouble free operation. And also we provide neck / wear ring on impeller and casing to maintain close clearance for better efficiency and to minimise the wear and tear. Built in check valve prevents back spin and reduces the risk of water hammer effect. All mounting dimensions are in accordance with NEMA /international standards.

#### **Design Features :**

- High efficiency
- Wide hydraulic ranges
- Corrosion resistant stainless steel pump components
- Different material options
- Twin pump option for higher stage pump to increase the life and serviceability

#### **Application :**

- Water supply
- Industries
- Agriculture
- Irrigation
- Commercial Buildings
- Pressure boosting
- Live stock watering
- Fire fighting
- Sprinkler system
- Construction De-watering
- Fountain
- Pivot & sprinkler irrigation system

# GENERAL INFORMATION

## PUMPED LIQUIDS

Clear, thin, non-aggressive, non explosive, clear, cold, fresh water without abrasives, solid particles or fibre having the following characteristics

a)	Permissible amount of sand	50g/m <sup>3</sup> (max)
b)	Chlorine ion density	500 ppm (max)
c)	Allowable solids	100 ppm (max)
d)	Specific gravity	1.004 (max)
e)	Hardness (Drinking water)	300 (max)
f)	Kinematic Viscosity	1mm <sup>2</sup> /s (1cSt) (max)
g)	Turbidity	50 ppm silica scale (max)
h)	pH	6.5 to 8.5
i)	Temperature (max)	NBR - 35°C / VITON - 50°C

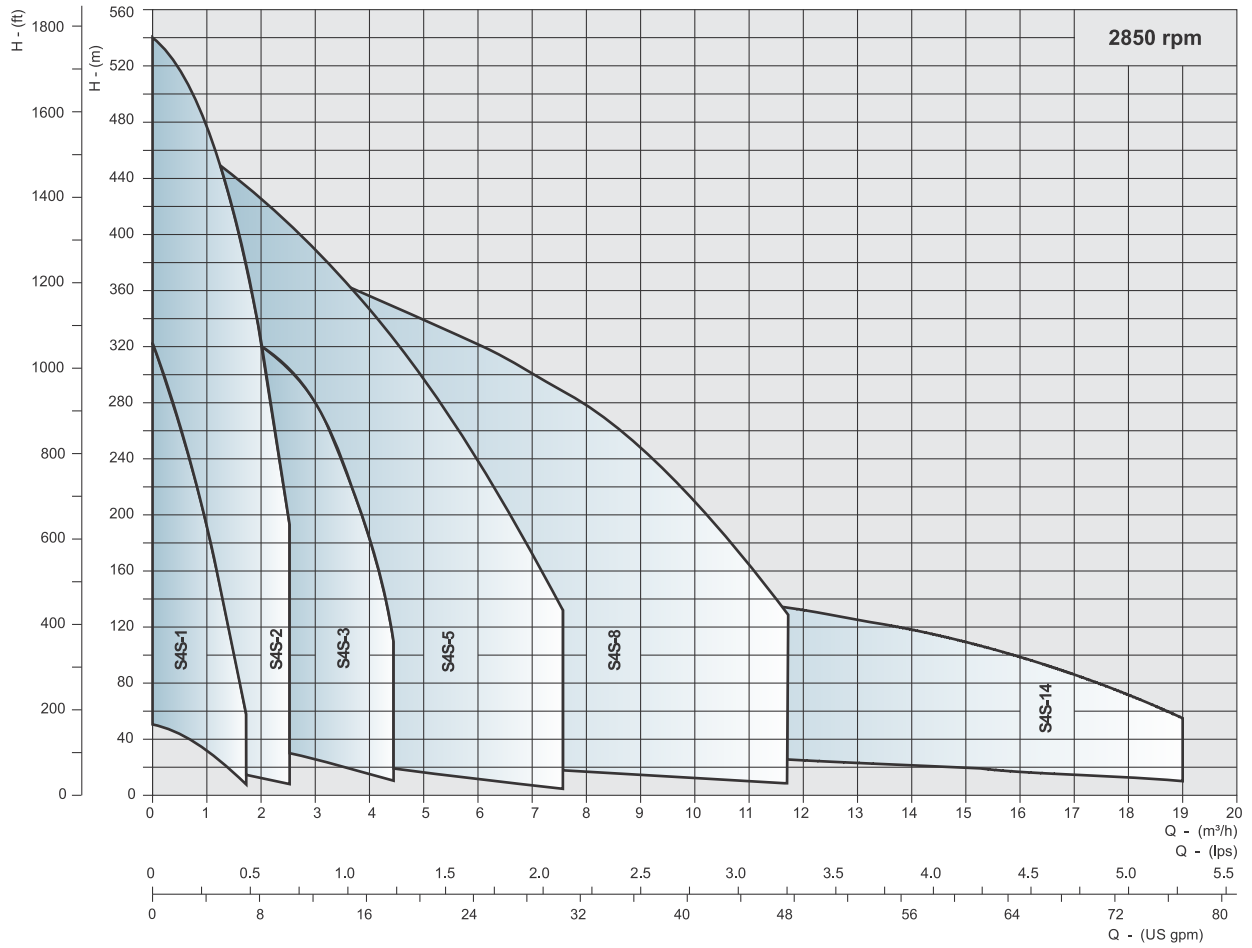
PUMP OPERATING LIMITATIONS					
Nominal Diameter		4"(100mm)	6"(150mm)	8"(200mm)	10"(250mm)
Power Range		0.37 - 11 kW	0.55 - 75 kW	5.5 - 130 kW	9.3 - 220 kW
Speed		2850 rpm	2870 rpm	2900 rpm	2900 rpm
Discharge Range	m <sup>3</sup> /h	0.4 - 19	7 - 120	20 - 126	18 - 280
	lps	0.12 - 5.28	1.94 - 33.33	5.5 - 35	5 - 77.78
Total head range	m	4.0 - 535	4.5 - 870	8 - 518	6 - 488
	ft	13.0 - 1755	15 - 2788	26 - 1558	19.68 - 1600
Outlet size in inches		1¼, 1½ & 2	2, 2½, 3 & 4	4 & 5	6
Shaft Coupling		Splines	Splines	Splines	Keyway / Splines

### Maximum temperature of Pumped liquid

Motor	Minimum cooling flow along the motor	Vertical installation	Horizontal installation (minimum 30° angle)
4" & 6"	0.15 m/s	NBR-35°C	NBR-35°C
8" & 10"	0.16 m/s		
4" to 10"	0.5 m/s	VITON-50°C	VITON-50°C

# STAINLESS STEEL SERIES

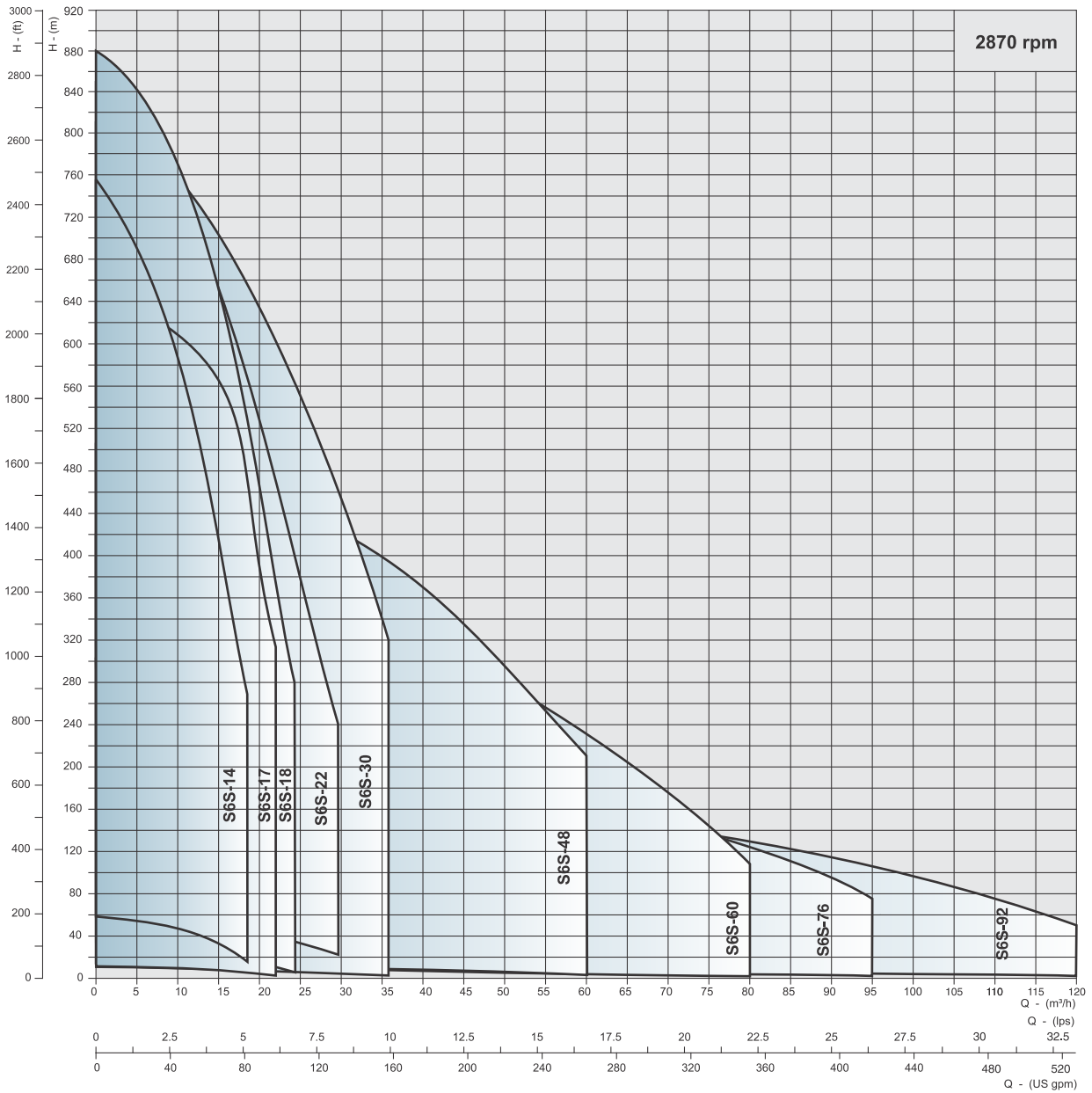
## Group Performance Curves - 4"



Performance curve tolerances are as per HI : 14.6 / ISO : 9906, Grade 3B.  
 In view of continuous developments, the informations / descriptions / specifications / illustrations are subject to change without notice.

# GENERAL INFORMATION

## Group Performance Curves - 6"

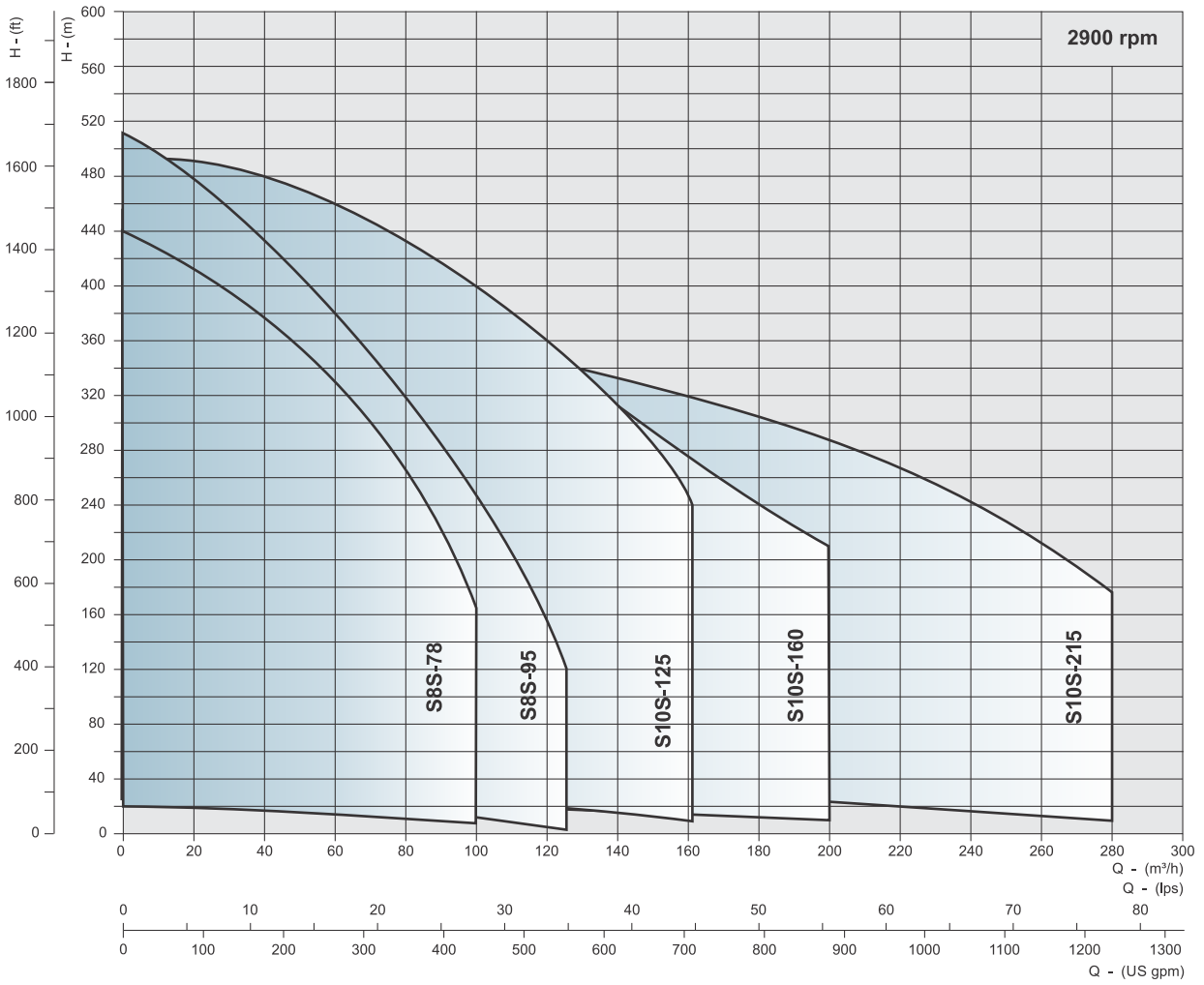


Performance curve tolerances are as per HI : 14.6 / ISO : 9906, Grade 3B.

In view of continuous developments, the informations / descriptions / specifications / illustrations are subject to change without notice.

# STAINLESS STEEL SERIES

## Group Performance Curves - 8" & 10"



Performance curve tolerances are as per HI : 14.6 / ISO : 9906, Grade 3B.  
 In view of continuous developments, the informations / descriptions / specifications / illustrations are subject to change without notice.

# GENERAL INFORMATION

## Materials of Construction

PART NAME	PART No.	MATERIAL (S4S)		
		EUROPEAN	DIN	AISI/SAE
Check valve housing	21	X5CrNi 18 9	1.4301	ASTM A240 AISI 304
Check valve disc	21.06	X5CrNi 18 9	1.4301	ASTM A240 AISI 304
Check valve seat	21.01	Standard - NBR (Buna - N)	Standard - NBR (Buna - N)	Standard - NBR (Buna - N)
		Optional - Fluoroelastomer Polymer (FKM - Viton)	Optional - Fluoroelastomer Polymer (FKM - Viton)	Optional - Fluoroelastomer Polymer (FKM - Viton)
Diffuser chamber	18.03	X5CrNi 18 9	1.4301	ASTM A240 AISI 304
Impeller	19	X5CrNi 18 9	1.4301	ASTM A240 AISI 304
Split cone with nut	19.02	X5CrNi 18 9	1.4301	ASTM A240 AISI 304
Impeller wear ring / Seal ring	17.01	Standard - NBR (Buna - N)	Standard - NBR (Buna - N)	Standard - NBR (Buna - N)
		Optional - Fluoroelastomer Polymer (FKM - Viton)	Optional - Fluoroelastomer Polymer (FKM - Viton)	Optional - Fluoroelastomer Polymer (FKM - Viton)
Upthrust washer / Upthrust sleeve	13.03	X15CrNi189/X20Cr14	1.4301/1.4027	ASTM A240 AISI 304/ ASTM A743 AISI CA40
Bush - CT pad	18.05	LB1	CuPb15Sn	ASTM C93800 (LTB-4)
Bush - Diffuser chamber	18.06	Standard - NBR (Buna - N)	Standard - NBR (Buna - N)	Standard - NBR (Buna - N)
		Optional - Fluoroelastomer Polymer (FKM - Viton)	Optional - Fluoroelastomer Polymer (FKM - Viton)	Optional - Fluoroelastomer Polymer (FKM - Viton)
Bush - bracket	18.07	1 to 8m <sup>3</sup> /h NBR (Buna - N) 14m <sup>3</sup> /h -LB1	1 to 8m <sup>3</sup> /h NBR (Buna - N) 14m <sup>3</sup> /h -CuPb15Sn	1 to 8m <sup>3</sup> /h NBR (Buna - N) 14m <sup>3</sup> /h -ASTM C93800 (LTB-4)
Suction inter connector	17	X5CrNi 18 9	1.4308	ASTM A743 CF8
Inlet screen	14.03	X5CrNi 18 9	1.4301	ASTM A240 AISI 304
Pump shaft	22	1 to 8m <sup>3</sup> /h - X5CrNi 18 10	1 to 8m <sup>3</sup> /h - 1.4301	1 to 8m <sup>3</sup> /h - ASTM A240 AISI 304
		14m <sup>3</sup> /h - X17CrNi 16 2	14m <sup>3</sup> /h - 1.4057	14m <sup>3</sup> /h - ASTM A240 AISI 431
Coupling spline	22.01	X3CrNiMo 27 52	1.4460	ASTM A789 AISI 329
Locking strap	17.03	X5CrNi 18 9	1.4301	ASTM A240 AISI 304
Cable guard	17.04	X5CrNi 18 9	1.4301	ASTM A240 AISI 304

Note : 4" Pumps - Flow rates from 1m<sup>3</sup>/h to 8m<sup>3</sup>/h are available with hexagon shaft and round shaft with other flow rates of 4", 6", 8" & 10" pumps.  
Standard: Pump with NBR rubber parts (Recommended upto 35°C)  
Optional: Pump with FKM -VITON rubber parts (Recommended upto 50°C)

# STAINLESS STEEL SERIES

## Materials of Construction

PART NAME	PART No.	MATERIAL (S4N)		
		EUROPEAN	DIN	AISI/SAE
Check valve housing	21	X5CrNiMo 18 10	1.4401	ASTM A240 AISI 316
Check valve disc	21.06	X5CrNiMo 18 10	1.4401	ASTM A240 AISI 316
Check valve seat	21.01	Standard - NBR (Buna - N)	Standard - NBR (Buna - N)	Standard - NBR (Buna - N)
		Optional - Fluoroelastomer Polymer (FKM - Viton)	Optional - Fluoroelastomer Polymer (FKM - Viton)	Optional - Fluoroelastomer Polymer (FKM - Viton)
Diffuser chamber	18.03	X5CrNiMo 18 10	1.4401	ASTM A240 AISI 316
Impeller	19	X5CrNiMo 18 10	1.4401	ASTM A240 AISI 316
Split cone with nut	19.02	X5CrNiMo 18 10	1.4401	ASTM A240 AISI 316
Impeller wear ring / Seal ring	17.01	Standard - NBR (Buna - N)	Standard - NBR (Buna - N)	Standard - NBR (Buna - N)
		Optional - Fluoroelastomer Polymer (FKM - Viton)	Optional - Fluoroelastomer Polymer (FKM - Viton)	Optional - Fluoroelastomer Polymer (FKM - Viton)
Upthrust washer / Upthrust sleeve	13.03	X15CrNiMo 18 10 / X20Cr14	1.4401 / 1.4027	ASTM A240 AISI 316/ ASTM A743 AISI CA40
Bush - CT pad	18.05	LB1	CuPb15Sn	ASTM C93800 (LTB-4)
Bush - diffuser Chamber	18.06	Standard - NBR (Buna - N)	Standard - NBR (Buna - N)	Standard - NBR (Buna - N)
		Optional - Fluoroelastomer (FKM - Viton)	Optional - Fluoroelastomer (FKM - Viton)	Optional - Fluoroelastomer (FKM - Viton)
Bush - bracket	18.07	1 to 8m <sup>3</sup> /h NBR (Buna - N) 14m <sup>3</sup> /h - LB1	1 to 8m <sup>3</sup> /h NBR (Buna - N) 14m <sup>3</sup> /h - CuPb15Sn	1 to 8m <sup>3</sup> /h NBR (Buna - N) 14m <sup>3</sup> /h - ASTM C93800 (LTB-4)
Suction inter Connector	17	X6CrNiMo 18 10	1.4408	ASTM A743 CF8M
Inlet screen	14.03	X5CrNiMo 18 10	1.4401	ASTM A240 AISI 316
Pump shaft	22	1 - 8m <sup>3</sup> /h X5CrNiMoN 27 5 2	1 - 8m <sup>3</sup> /h 1.4401	1 - 8m <sup>3</sup> /h - ASTM A276 AISI 316
		14m <sup>3</sup> /h X3CrNiMoN 27 5 2	14m <sup>3</sup> /h 1.446	14m <sup>3</sup> /h - ASTM A789 AISI 329
Coupling spline	22.01	X3CrNiMoN 27 5 2	1.4460	ASTM A789 AISI 329
Locking strap	17.03	X5CrNiMo 18 10	1.4401	ASTM A240 AISI 316
Cable guard	17.04	X5CrNiMo 18 10	1.4401	ASTM A240 AISI 316

Note : 4" Pumps - Flow rates from 1m<sup>3</sup>/h to 8m<sup>3</sup>/h are available with hexagon shaft and round shaft with other flow rates of 4", 6", 8" & 10" pumps.  
 Standard: Pump with NBR rubber parts (Recommended upto 35°C)  
 Optional: Pump with FKM -VITON rubber parts (Recommended upto 50°C)



# GENERAL INFORMATION

## Materials of Construction

PART NAME	PART No.	MATERIAL (S6S, S8S & S10S)		
		EUROPEAN	DIN	AISI/SAE
Check valve Housing	21	S6S-14m <sup>3</sup> /h, S6S-18m <sup>3</sup> /h, S6S-22m <sup>3</sup> /h, S6S-30m <sup>3</sup> /h, S6S-48m <sup>3</sup> /h & S6S-60m <sup>3</sup> /h- X5CrNi 18 9 S6S-17m <sup>3</sup> /h - X5CrNi 18 9 S8S & S10S - X5CrNi 18 9 S10S-215m <sup>3</sup> /h - X5CrNi 18 9	S6S-14m <sup>3</sup> /h, S6S-18m <sup>3</sup> /h, S6S-22m <sup>3</sup> /h, S6S-30m <sup>3</sup> /h, S6S-48m <sup>3</sup> /h & S6S-60m <sup>3</sup> /h - 1.4301 S6S-17m <sup>3</sup> /h - 1.4308 S8S & S10S -1.4301 S10S-215m <sup>3</sup> /h - 1.4308	S6S-14m <sup>3</sup> /h, S6S-18m <sup>3</sup> /h, S6S-22m <sup>3</sup> /h, S6S-30m <sup>3</sup> /h, S6S-48m <sup>3</sup> /h & S6S-60m <sup>3</sup> /h - ASTM A240 AISI 304 S6S-17m <sup>3</sup> /h - ASTM A743 CF8 S8S & S10S - ASTM A240 AISI 304 S10S-215m <sup>3</sup> /h - ASTM A743 CF8
Check valve disc	21.06	X5CrNi 18 9	1.4301	ASTM A240 AISI 304
Check valve seat	21.01	Standard - NBR (Buna - N)	Standard - NBR (Buna - N)	Standard - NBR (Buna - N)
		Optional - Fluoroelastomer Polymer (FKM)	Optional - Fluoroelastomer Polymer (FKM)	Optional - Fluoroelastomer Polymer (FKM)
Diffuser chamber	18.03	X5CrNi 18 9	1.4301	ASTM A240 AISI 304
Impeller	19	X5CrNi 18 9	1.4301	ASTM A240 AISI 304
Split cone with nut	19.02	S6S,S8S,S10S-125 & 160m <sup>3</sup> /h -X5CrNi 18 9 S10S-215m <sup>3</sup> /h -X5CrNi 18 9	S6S,S8S,S10S-125 & 160m <sup>3</sup> /h -1.4301 S10S-215m <sup>3</sup> /h - 1.4308	S6S,S8S,S10S-125&160m <sup>3</sup> /h - ASTM A240 AISI 304 S10S-215m <sup>3</sup> /h -ASTM A743 CF8
Impeller wear ring / Seal ring	17.01	Standard - NBR (Buna - N)	Standard - NBR (Buna - N)	Standard - NBR (Buna - N)
		Optional - Fluoroelastomer Polymer (FKM - Viton)	Optional - Fluoroelastomer Polymer (FKM - Viton)	Optional - Fluoroelastomer Polymer (FKM - Viton)
Upthrust washer / Upthrust sleeve	13.03	S6S-30 to 60m <sup>3</sup> /h X5CrNi18 10 S6S-14 to 22m <sup>3</sup> /h S8S&S10S - X20Cr14	S6S-30 to 60m <sup>3</sup> /h X5CrNi18 10 -1.4301 S6S-14 to 22m <sup>3</sup> /h S8S&S10S - 1.4027	S6S-30 to 60m <sup>3</sup> /h ASTM A240 AISI 304 S6S-14 to 22m <sup>3</sup> /h S8S&S10S - ASTM A743 AISI CA40
Bush - CT pad	18.05	Teflon / LB1	Teflon / CuPb15Sn	Teflon / ASTM C93800 (LTB-4)
Bush - diffuser chamber	18.06	Standard - NBR (Buna - N)	Standard - NBR (Buna - N)	Standard - NBR (Buna - N)
		Optional - Fluoroelastomer Polymer (FKM - Viton)	Optional - Fluoroelastomer Polymer (FKM - Viton)	Optional - Fluoroelastomer Polymer (FKM - Viton)
Suction inter connector	17	X5CrNi 18 9	1.4308	ASTM A743 CF8
Inlet screen	14.03	X5CrNi 18 9	1.4301	ASTM A240 AISI 304
Pump shaft	22	X17CrNi 16 2	1.4057	ASTM A276 AISI 431
Coupling spline	22.01	X3CrNiMoN 27 5 2	1.4460	ASTM A789 AISI 329
Locking strap	17.03	X5CrNi 18 9	1.4301	ASTM A240 AISI 304
Cable guard	17.04	X5CrNi 18 9	1.4301	ASTM A240 AISI 304

Note :

Standard: Pump with NBR rubber parts (Recommended upto 35°C)

Optional: Pump with FKM -VITON rubber parts (Recommended upto 50°C)

# STAINLESS STEEL SERIES

## Materials of Construction

PART NAME	PART No.	MATERIAL (S6N, S8N & S10N)		
		EUROPEAN	DIN	AISI/SAE
Check valve Housing	21	S6N-14m <sup>3</sup> /h, S6N-18m <sup>3</sup> /h, S6N-22m <sup>3</sup> /h, S6N-30m <sup>3</sup> /h, S6N-48m <sup>3</sup> /h & S6N-60m <sup>3</sup> /h - X5CrNiMo 18 10 S6N-17m <sup>3</sup> /h - X5CrNiMo 18 10 S8N & S10N - X5CrNiMo 18 10 S10N-215m <sup>3</sup> /h - X5CrNiMo 18 10	S6N-14m <sup>3</sup> /h, S6N-18m <sup>3</sup> /h, S6N-22m <sup>3</sup> /h, S6N-30m <sup>3</sup> /h, S6N-48m <sup>3</sup> /h & S6N-60m <sup>3</sup> /h 1.4401 S6N-17m <sup>3</sup> /h -1.4408 S8N & S10 - 1.4401 S10N-215m <sup>3</sup> /h - 1.4408	S6N-14m <sup>3</sup> /h, S6N-18m <sup>3</sup> /h, S6N-22m <sup>3</sup> /h, S6N-30m <sup>3</sup> /h, S6N-48m <sup>3</sup> /h & S6N-60m <sup>3</sup> /h - ASTM A240 AISI 316 S6N-17m <sup>3</sup> /h - ASTM A743 CF8M S8N & S10 - ASTM A240 AISI 316 S10N-215m <sup>3</sup> /h - ASTM A743 CF8M
Check valve disc	21.06	X5CrNiMo 18 10	1.4401	ASTM A240 AISI 316
Check valve seat	21.01	Standard - NBR (Buna - N)	Standard - NBR (Buna - N)	Standard - NBR (Buna - N)
		Optional - Fluoroelastomer Polymer (FKM - Viton)	Optional - Fluoroelastomer Polymer (FKM - Viton)	Optional - Fluoroelastomer Polymer (FKM - Viton)
Diffuser chamber	18.03	X5CrNiMo 18 10	1.4401	ASTM A240 AISI 316
Impeller	19	X5CrNiMo 18 10	1.4401	ASTM A240 AISI 316
Split cone with nut	19.02	S6N,S8N,S10N-125&160m <sup>3</sup> /h - X5CrNiMoN 18 10 S10N-215m <sup>3</sup> /h -X5CrNiMoN 18 10	S6N,S8N,S10N-125 & 160m <sup>3</sup> /h -1.4401 S10N-215m <sup>3</sup> /h - 1.4408	S6N,S8N,S10N-125& 160m <sup>3</sup> /h - ASTM A240 AISI 316 S10N-215m <sup>3</sup> /h -ASTM A743 CF8
Impeller wear ring / Seal ring	17.01	Standard - NBR (Buna - N)	Standard - NBR (Buna - N)	Standard - NBR (Buna - N)
		Optional - Fluoroelastomer Polymer (FKM - Viton)	Optional - Fluoroelastomer Polymer (FKM - Viton)	Optional - Fluoroelastomer Polymer (FKM - Viton)
Upthrust washer / Upthrust sleeve	13.03	S6N-30 to 60m <sup>3</sup> /h X5CrNi18 10 S6N-14 to 22m <sup>3</sup> /h S8N&S10N - X20Cr14	S6N-30 to 60m <sup>3</sup> /h -1.4301 S6N-14 to 22m <sup>3</sup> /h, S8N&S10N - 1.4027	S6N-30 to 60m <sup>3</sup> /h ASTM A240 AISI 316 S6N-14 to22 m <sup>3</sup> /h, S8N&S10N - ASTM A743 AISI CA40
Bush - CT pad	18.05	Teflon / LB1	Teflon / CuPb15Sn	Teflon / ASTM C93800 (LTB-4)
Bush - diffuser Chamber	18.06	Standard - NBR (Buna - N)	Standard - NBR (Buna - N)	Standard - NBR (Buna - N)
		Optional - Fluoroelastomer Polymer (FKM - Viton)	Optional - Fluoroelastomer Polymer (FKM - Viton)	Optional - Fluoroelastomer Polymer (FKM - Viton)
Bush - Bracket	18.07	LB1	CuPb15Sn	ASTM C93800 (LTB-4)
Suction inter Connector	17	X5CrNiMo 18 10	1.4408	ASTM A743 CF8M
Inlet screen	14.03	X5CrNiMo 18 10	1.4401	ASTM A240 AISI 316
Pump shaft	22	X5CrNiMo 18 10	1.4401	ASTM A276 AISI 316
Coupling spline	22.01	X3CrNiMoN 27 5 2	1.4460	ASTM A789 AISI 329
Locking strap	17.03	X5CrNiMo 18 10	1.4401	ASTM A240 AISI 316
Cable guard	17.04	X5CrNiMo 18 10	1.4401	ASTM A240 AISI 316

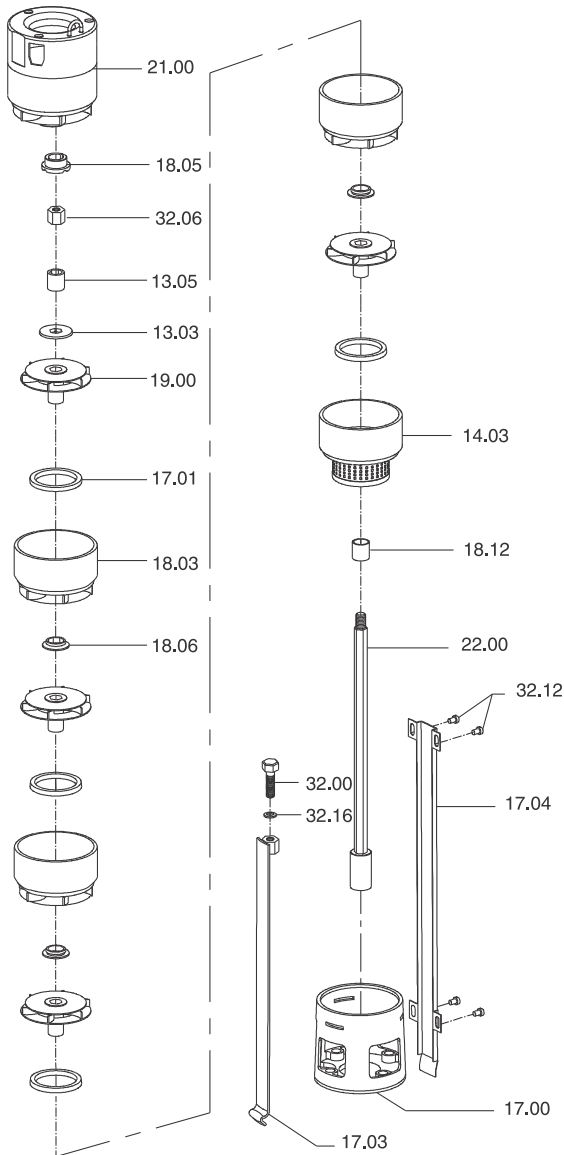
Note :  
 Standard: Pump with NBR rubber parts (Recommended upto 35°C)  
 Optional: Pump with FKM -VITON rubber parts (Recommended upto 50°C)

In view of continuous developments, the informations / descriptions / specifications / illustrations are subject to change without notice.

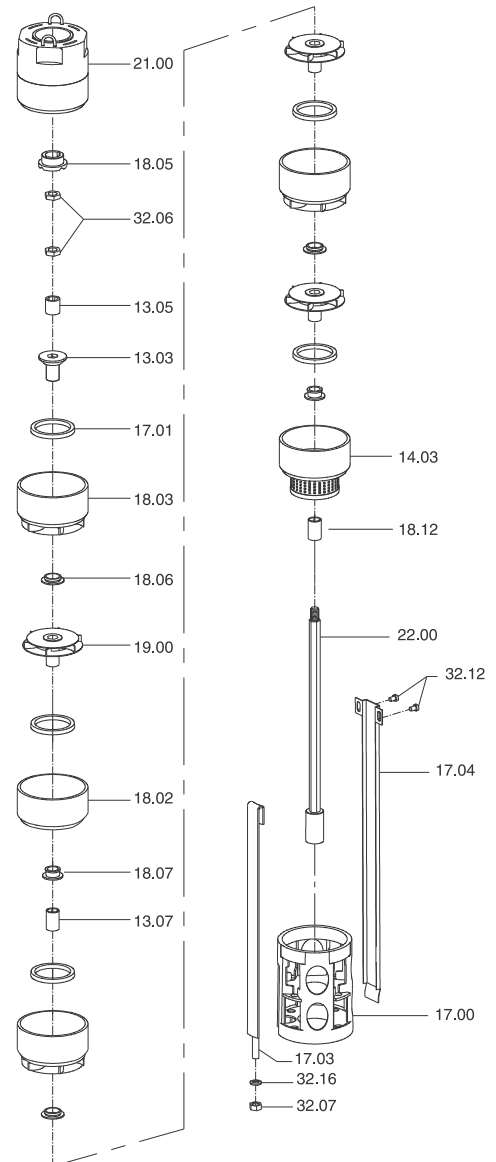
# GENERAL INFORMATION

## Exploded View

**S4S-1 / S4S-2 / S4S-3 (Below 29 Stages)**



**S4S-1 / S4S-2 / S4S-3 (29 & above Stages)**



Part No.	Part Name	Part No.	Part Name
13.03	Upthrust Washer	18.12	Spacer Sleeve
13.05	Sleeve	19.00	Impeller
14.03	Chamber-Inlet Screen	21.00	Check Valve Housing
17.00	Suction Inter-connector	22.00	Pump Shaft
17.01	Wearing ring	32.00	Bolt
17.03	Locking Straps	32.06	Lock Nut
17.04	Cable Guard	32.12	Screw
18.03	Diffuser Chamber	32.16	Washer
18.05	Bush - CT Pad		
18.06	Bush - Diffuser Chamber		

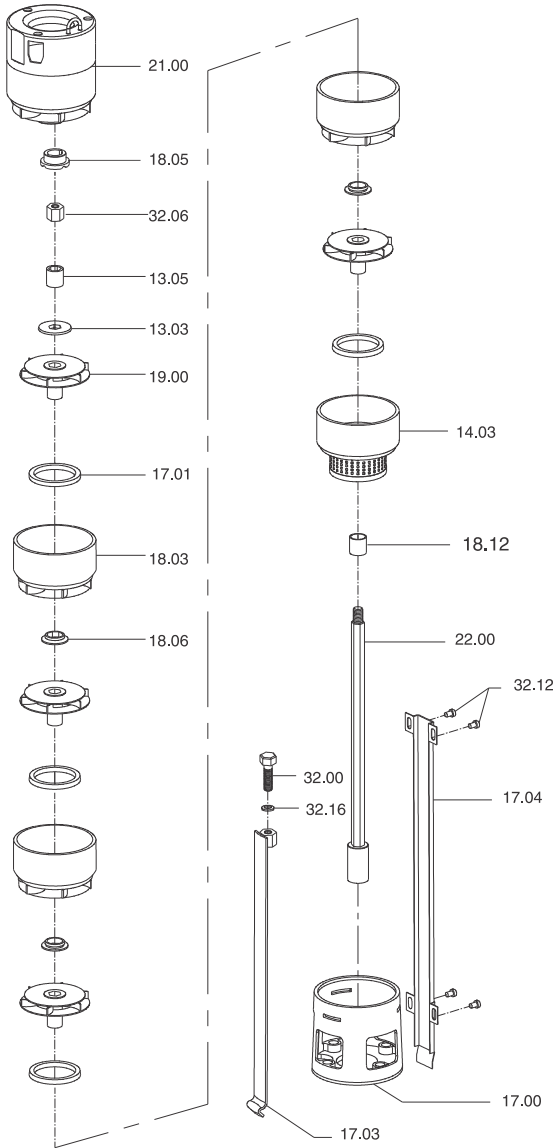
Part No.	Part Name	Part No.	Part Name
13.03	Upthrust Sleeve	18.06	Bush - Diffuser Chamber
13.07	Sleeve - Bracket	18.07	Bush - Bracket
13.05	Sleeve	18.12	Spacer Sleeve
14.03	Chamber-Inlet Screen	19.00	Impeller
17.00	Suction Inter-connector	21.00	Check Valve Housing
17.01	Wearing ring	22.00	Pump Shaft
17.03	Locking Straps	32.06	Lock Nut
17.04	Cable Guard	32.07	Nut
18.02	Chamber - Bracket	32.12	Screw
18.03	Diffuser Chamber	32.16	Washer
18.05	Bush - CT Pad		

In view of continuous developments, the informations / descriptions / specifications / illustrations are subject to change without notice.

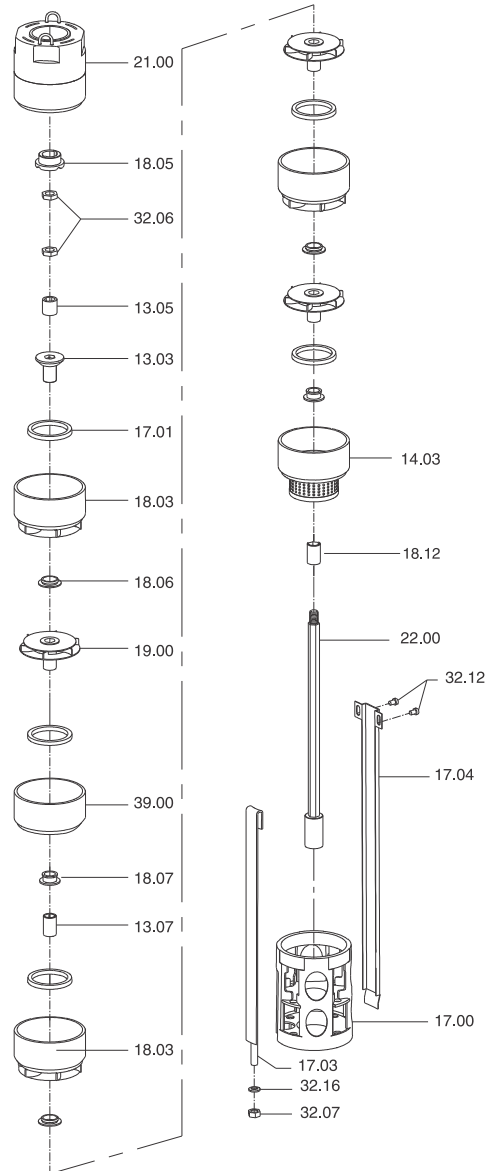
# STAINLESS STEEL SERIES

## Exploded View

S4S-5 (Below 25 Stages)



S4S-5 (25 & Above Stages)



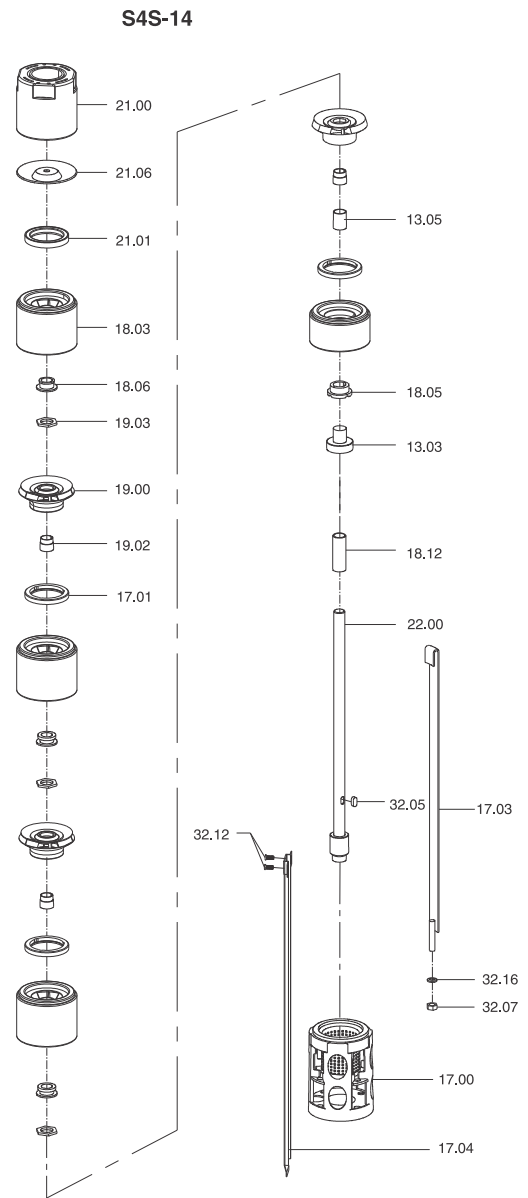
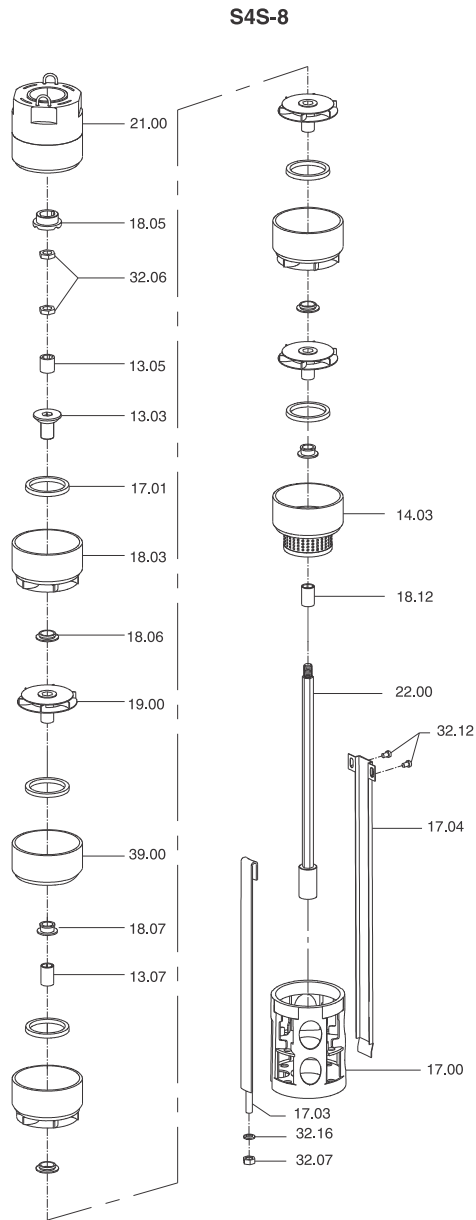
Part No.	Part Name	Part No.	Part Name
13.03	Upthrust Washer	18.12	Spacer Sleeve
13.05	Sleeve	19.00	Impeller
14.03	Chamber-Inlet Screen	21.00	Check Valve Housing
17.00	Suction Inter-connector	22.00	Pump Shaft
17.01	Wearing ring	32.00	Bolt
17.03	Locking Straps	32.06	Lock Nut
17.04	Cable Guard	32.12	Screw
18.03	Diffuser Chamber	32.16	Washer
18.05	Bush - CT Pad		
18.06	Bush - Diffuser Chamber		

Part No.	Part Name	Part No.	Part Name
13.03	Upthrust Sleeve	18.07	Bush - Bracket
13.05	Sleeve	18.12	Spacer Sleeve
13.07	Sleeve-Bracket	19.00	Impeller
14.03	Chamber-Inlet Screen	21.00	Check Valve Housing
17.00	Suction Inter-connector	22.00	Pump Shaft
17.01	Wear ring	32.06	Lock Nut
17.03	Locking Straps	32.07	Nut
17.04	Cable Guard	32.12	Screw
18.03	Diffuser Chamber	32.16	Washer
18.05	Bush - CT Pad	39.00	Chamber - Bracket
18.06	Bush - Diffuser Chamber		

In view of continuous developments, the informations / descriptions / specifications / illustrations are subject to change without notice.

# GENERAL INFORMATION

## Exploded View



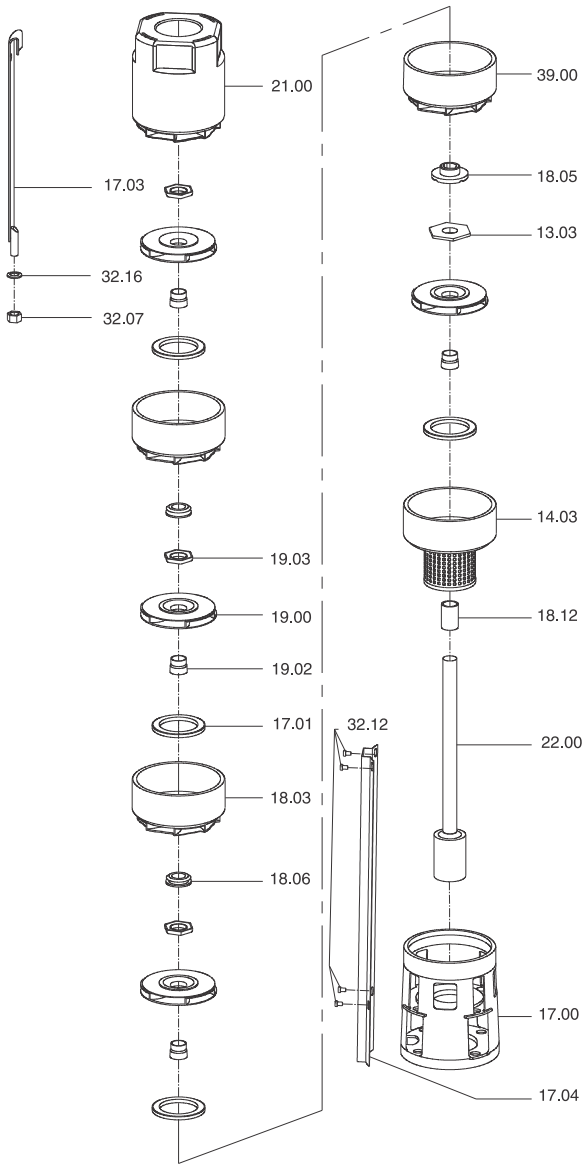
Part No.	Part Name	Part No.	Part Name
13.03	Upthrust Sleeve	18.07	Bush - Bracket
13.05	Sleeve	18.12	Spacer Sleeve
13.07	Sleeve-Bracket	19.00	Impeller
14.03	Chamber-Inlet Screen	21.00	Check Valve Housing
17.00	Suction Inter-connector	22.00	Pump Shaft
17.01	Wear ring	39.00	Chamber - Bracket
17.03	Locking Straps	32.06	Lock Nut
17.04	Cable Guard	32.07	Nut
18.03	Diffuser Chamber	32.12	Screw
18.05	Bush - CT Pad	32.16	Washer
18.06	Bush - Diffuser Chamber		

Part No.	Part Name	Part No.	Part Name
13.03	Upthrust Sleeve	19.02	Split Cone
13.05	Sleeve	19.03	Split Cone Nut
17.00	Suction Inter-connector	21.00	Check Valve Housing
17.01	Wear ring	21.01	Check Valve Seat
17.03	Locking Straps	21.06	Check Valve Disc
17.04	Cable Guard	22.00	Pump Shaft
18.03	Diffuser Chamber	32.05	Key
18.05	Bush - CT Pad	32.07	Nut
18.06	Bush - Diffuser Chamber	32.12	Screw
18.12	Spacer Sleeve	32.16	Washer
19.00	Impeller		

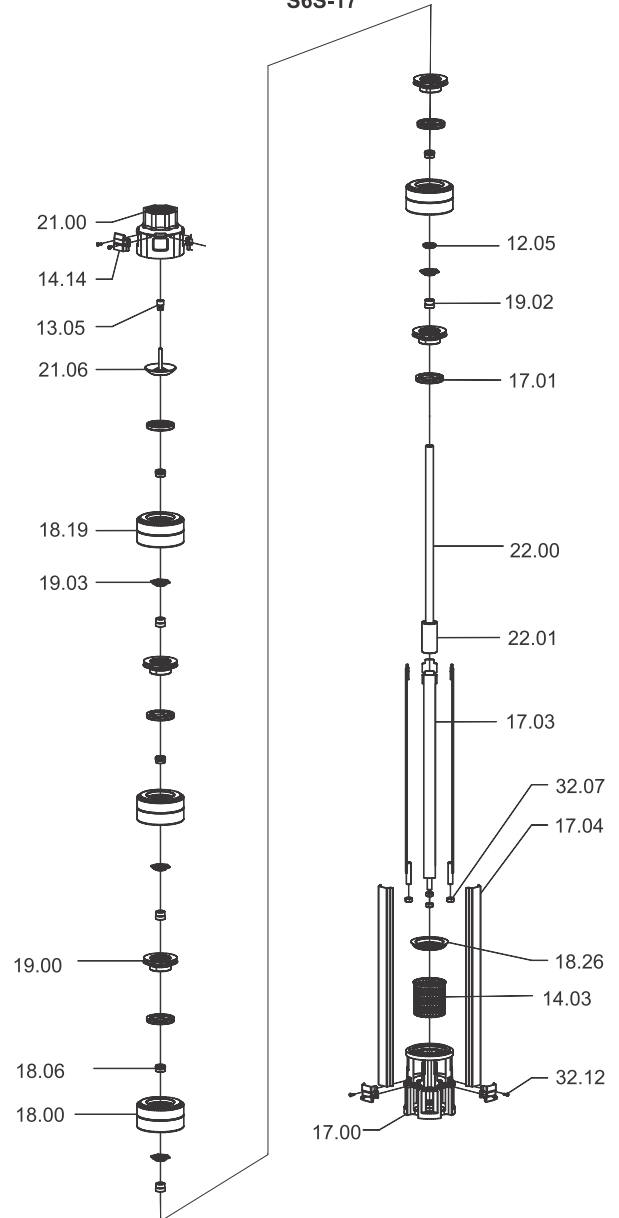
# STAINLESS STEEL SERIES

## Exploded View

S6S-14 / S6S-18 / S6S-22



S6S-17



Part No.	Part Name	Part No.	Part Name
13.03	Uphrust Washer	19.03	Split Cone Nut
14.03	Chamber Inlet Screen	21.00	Check Valve Housing
17.00	Suction Inter-connector	22.00	Pump Shaft
17.01	Wear ring	32.07	Nut
17.03	Locking Straps	32.12	Screw
17.04	Cable Guard	32.16	Washer
18.03	Diffuser Chamber	39.00	Chamber - Bracket
18.05	Bush - CT Pad		
18.06	Bush - Diffuser Chamber		
18.12	Spacer Sleeve		
19.00	Impeller		
19.02	Split Cone		

Part No.	Part Name
12.05	Counter Thrust Ring
13.05	Sleeve
14.03	Strainer
14.14	Cable Clamp
17.00	Suction Inter Connector
17.01	Wearing ring
17.03	Locking Strap-Pump
17.04	Cable Guard
18.00	Chamber -Rubber bush
18.06	Bush - Rubber
18.19	Chamber - Top

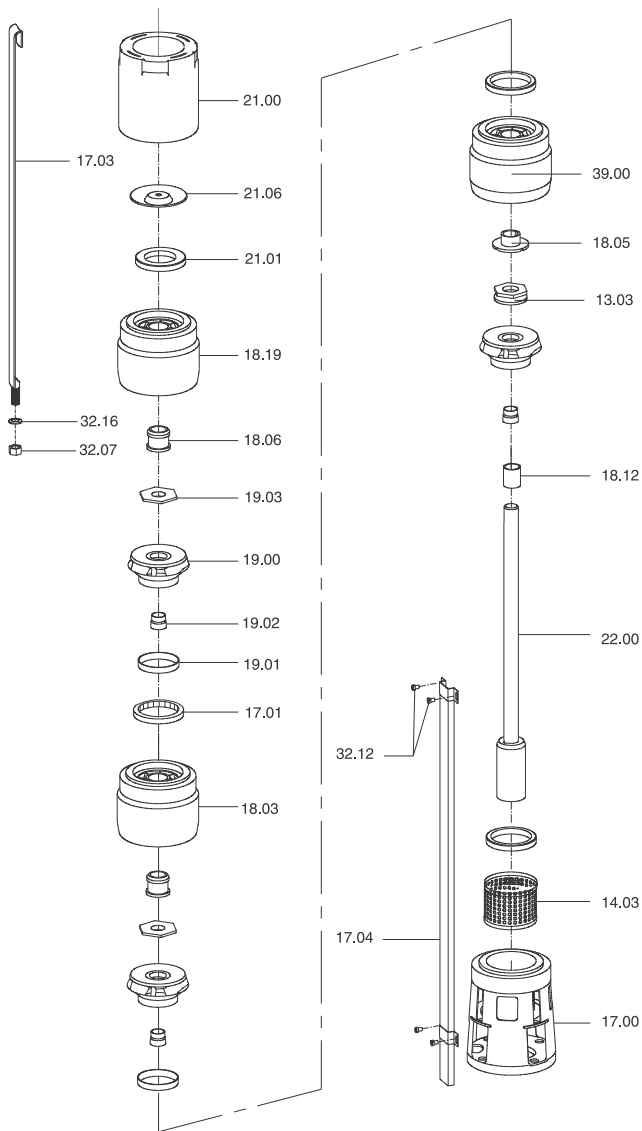
Part No.	Part Name
18.26	Wearing ring Guide
19.00	Impeller
19.02	Split Cone
19.03	Split Cone Nut
21.00	Valve Housing
21.06	Valve Disc
22.00	Pump Shaft
22.01	Coupling
22.03	Priming sleeve
32.06	Lock Nut
32.07	Nut
32.12	Screw

In view of continuous developments, the informations / descriptions / specifications / illustrations are subject to change without notice.

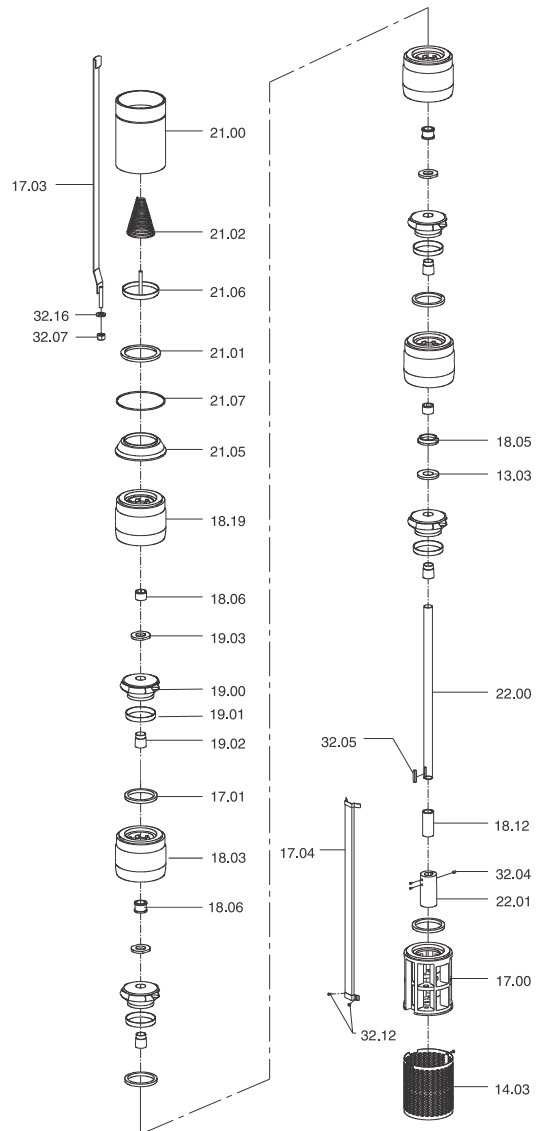
# GENERAL INFORMATION

## Exploded View

**S6S-30 / S6S-48 / S6S-60 / S6S-76 / S6S-92**



**S8S-78 / S8S-95 / S10S-125 / S10S-160 / S10S-215**



Part No.	Part Name	Part No.	Part Name
13.03	Uphrust Washer	19.01	Neck Ring
14.03	Inlet Screen	19.02	Split Cone
17.00	Suction Inter-connector	19.03	Split Cone Nut
17.01	Wear ring	21.00	Check Valve Housing
17.03	Locking Straps	21.01	Check Valve Seat
17.04	Cable Guard	21.06	Check Valve Disc
18.05	Bush - CT Pad	22.00	Pump Shaft
18.06	Bush - Diffuser Chamber	32.07	Nut
18.03	Diffuser Chamber	32.12	Screw
18.12	Spacer Sleeve	32.16	Washer
18.19	Diffuser Chamber Top	39.00	Chamber - Bracket
19.00	Impeller		

Part No.	Part Name	Part No.	Part Name
13.03	Uphrust Washer	19.03	Split Cone Nut
14.03	Inlet Screen	21.00	Check Valve Housing
17.00	Suction Inter-connector	21.01	Check Valve Seat
17.01	Wear ring	21.02	Check Valve Spring
17.03	Locking Straps	21.05	Check Valve bracket
17.04	Cable Guard	21.06	Check valve Disc
18.03	Diffuser Chamber	21.07	O-Ring
18.05	Bush - CT Pad	22.00	Pump Shaft
18.06	Bush - Diffuser Chamber	22.01	Coupling
18.12	Spacer Sleeve	32.04	Crub Screw
18.19	Diffuser Chamber Top	32.05	Key
19.00	Impeller	32.07	Nut
19.01	Neck Ring	32.12	Screw
19.02	Split Cone	32.16	Washer

In view of continuous developments, the informations / descriptions / specifications / illustrations are subject to change without notice.

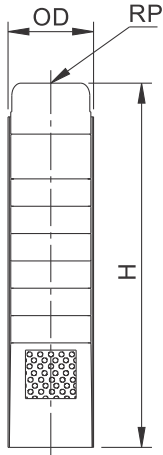
# STAINLESS STEEL SERIES

Nominal Diameter : **4"**

Nominal Flow : **1m<sup>3</sup>/h**

Outlet Size : **1¼"**

Dimensions & Weight Data



PUMP MODEL	POWER		DIMENSIONS (mm)			NET WEIGHT (kg)
	kW	HP	OD	RP	H	
S4S-1/09	0.37	0.5	97	32	357	4
S4S-1/14	0.37	0.5	97	32	467	5
S4S-1/18	0.55	0.75	97	32	555	6
S4S-1/21	0.55	0.75	97	32	621	7
S4S-1/28	0.75	1	97	32	775	9
S4S-1/36	1.1	1.5	97	32	1094	13
S4S-1/42	1.1	1.5	97	32	1262	16
S4S-1/50	1.5	2	97	32	1454	19
S4S-1/57	1.5	2	97	32	1646	21

Performance Table

PUMP MODEL	POWER (kW)	HEAD (m)	lps	0	0.11	0.16	0.22	0.27	0.33	0.38	0.44	0.47
			m <sup>3</sup> /h	0	0.40	0.60	0.80	1.0	1.2	1.4	1.6	1.7
S4S-1/09	0.37		50	45	41	38	32	26.5	20	12	9	
S4S-1/14	0.37		80	70.5	65	58	49	39	29	18	12.5	
S4S-1/18	0.55		105	94	88	79.5	70	59.5	47	33	26	
S4S-1/21	0.55		125	116.5	108.5	99	85	69.5	53	39	30	
S4S-1/28	0.75		165	148	135	122.5	107.5	90	69	47	35	
S4S-1/36	1.1		198	182	165	145	123	102	80	54	41	
S4S-1/42	1.1		230	211	190	165	140	116	89	60	45	
S4S-1/50	1.5		280	250	226	199	170	140	106	70	51	
S4S-1/57	1.5		320	284	253	221	189	155	120	82	63	

In view of continuous developments, the informations / descriptions / specifications / illustrations are subject to change without notice.



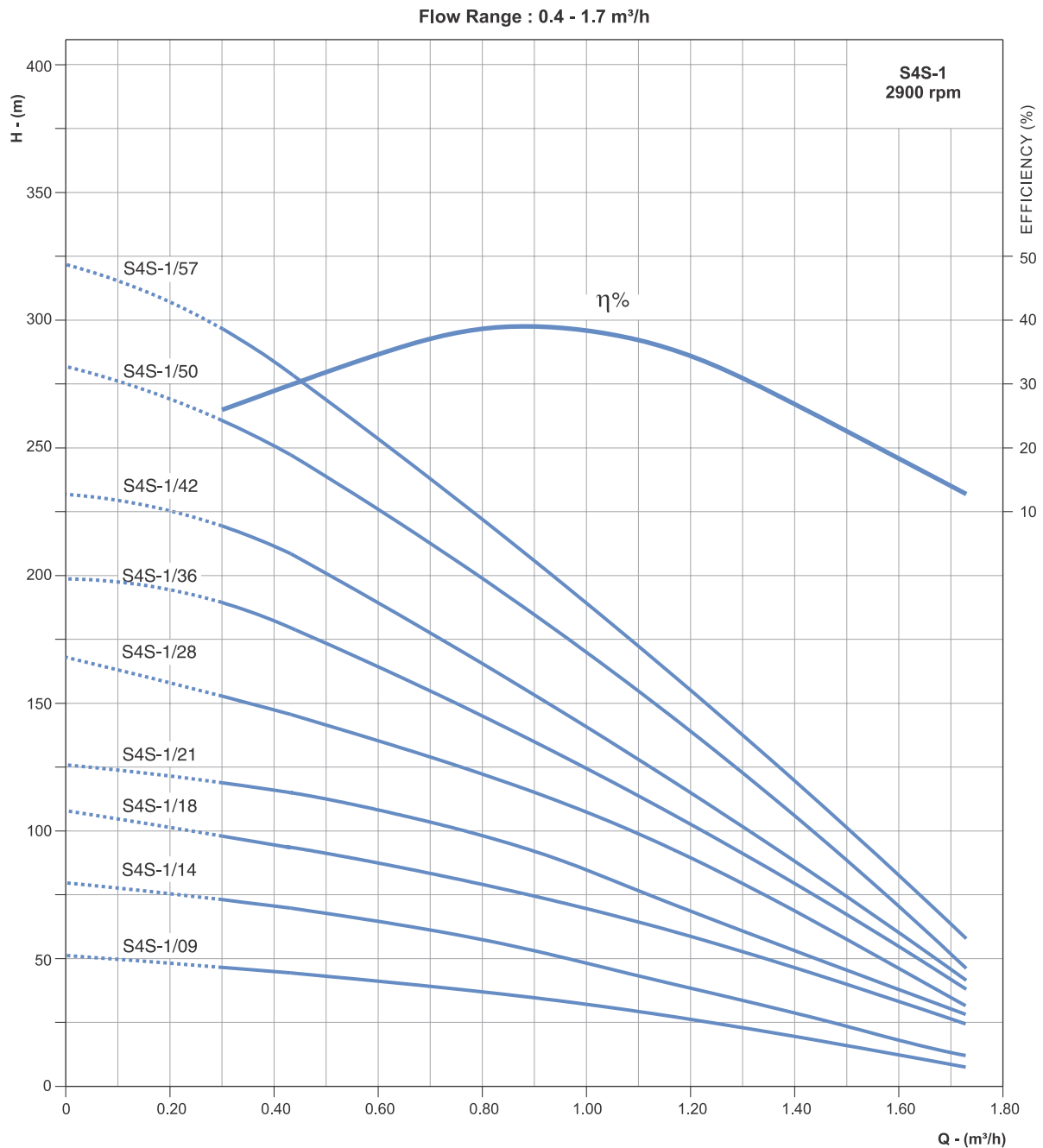
# GENERAL INFORMATION

Nominal Diameter : **4"**

Nominal Flow : **1m<sup>3</sup>/h**

Outlet Size : **1 1/4"**

## Performance Curves



Performance curve tolerances are as per HI : 14.6 / ISO : 9906, Grade 3B.

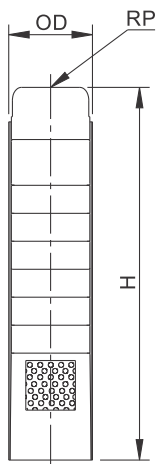
In view of continuous developments, the informations / descriptions / specifications / illustrations are subject to change without notice.

# STAINLESS STEEL SERIES

Nominal Diameter : **4"**

Nominal Flow : **2m<sup>3</sup>/h**

Outlet Size : **1 1/4"**



**Dimensions & Weight Data**

PUMP MODEL	POWER		DIMENSIONS (mm)			NET WEIGHT (kg)
	kW	HP	OD	RP	H	
S4S-2/06	0.37	0.5	97	32	291	3
S4S-2/09	0.37	0.5	97	32	357	3
S4S-2/13	0.55	0.75	97	32	445	4
S4S-2/15	0.55	0.75	97	32	489	5
S4S-2/18	0.75	1	97	32	554	6
S4S-2/23	1.1	1.5	97	32	665	7
S4S-2/28	1.5	2	97	32	775	8
S4S-2/33	1.5	2	97	32	1022	12
S4S-2/40	2.2	3	97	32	1214	14
S4S-2/48	2.2	3	97	32	1382	17
S4S-2/55	3	4	97	32	1550	20
S4S-2/65	3	4	97	32	1838	22
S4S-2/75	4	5.5	97	32	2078	26
S4S-2/90	4	5.5	97	32	2438	31

**Performance Table**

PUMP MODEL	POWER (kW)	lps	0	0.16	0.27	0.38	0.50	0.55	0.61	0.72
		m <sup>3</sup> /h	0	0.6	1.0	1.4	1.8	2.0	2.2	2.5
S4S-2/06	0.37	HEAD (m)	35	28	26.5	25	23	20	17	8
S4S-2/09	0.37		54	49	45	40	35	30	25	19
S4S-2/13	0.55		76	72	68	60	48	42	36	27
S4S-2/15	0.55		90	82	78	70	60	57	48	38
S4S-2/18	0.75		120	115	102	92	80	72	63	50
S4S-2/23	1.1		145	140	128	113	93	82	71	57
S4S-2/28	1.5		180	172	160	142	121	110	98	77
S4S-2/33	1.5		215	199	183	165	140	124	108	82
S4S-2/40	2.2		249	232	218	195	165	144	127	92
S4S-2/48	2.2		285	272	254	227	195	174	148	100
S4S-2/55	3		335	306	282	250	209	183	158	110
S4S-2/65	3		405	375	342	301	257	228	196	138
S4S-2/75	4		460	435	403	363	305	272	235	164
S4S-2/90	4		535	513	473	421	358	319	276	198

In view of continuous developments, the informations / descriptions / specifications / illustrations are subject to change without notice.

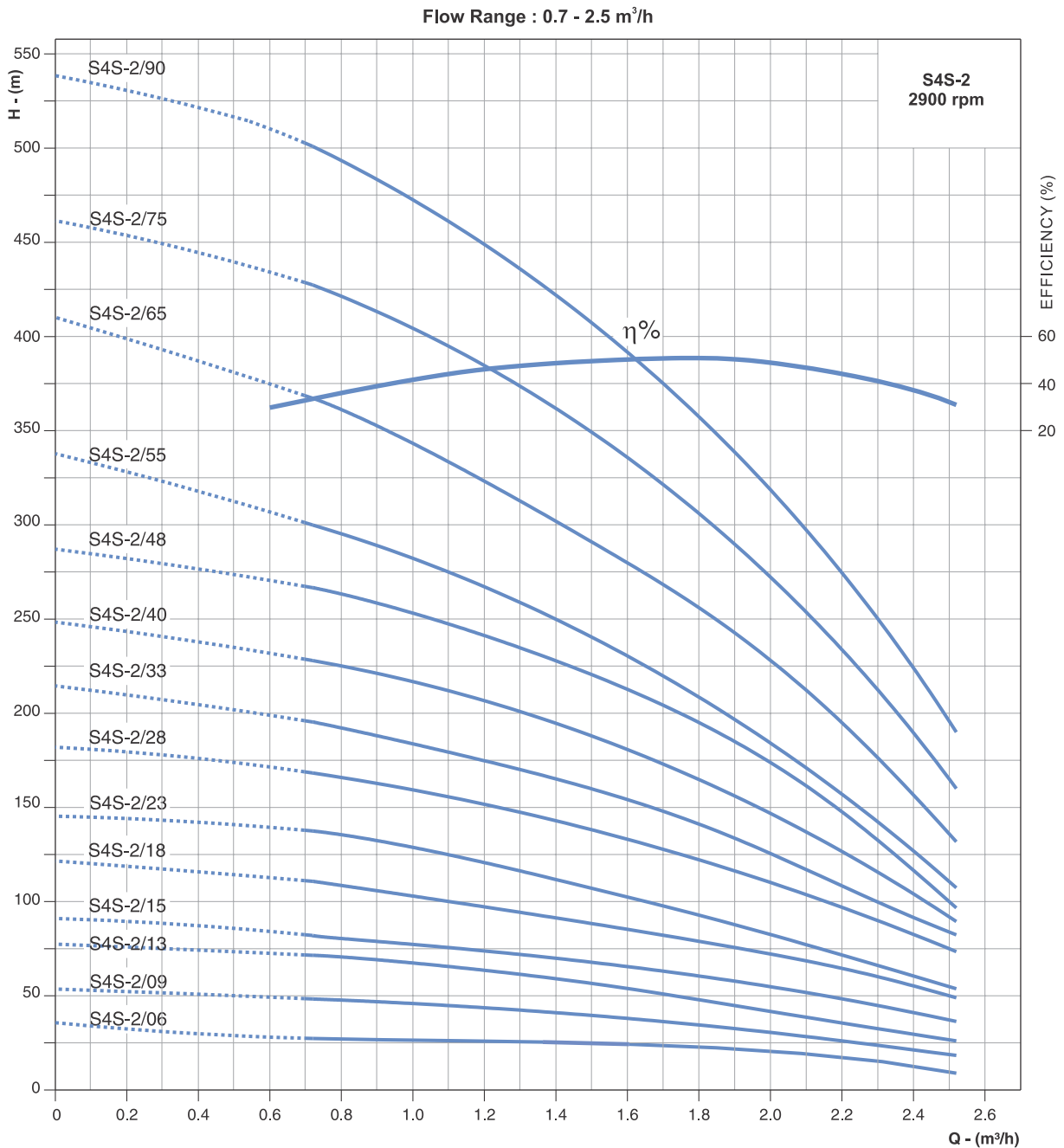
# STAINLESS STEEL SERIES

Nominal Diameter : **4"**

Nominal Flow : **2m<sup>3</sup>/h**

Outlet Size : **1 1/4"**

## Performance Curves



Performance curve tolerances are as per HI : 14.6 / ISO : 9906, Grade 3B.

In view of continuous developments, the informations / descriptions / specifications / illustrations are subject to change without notice.

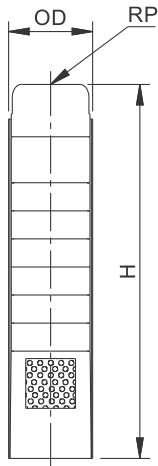
# STAINLESS STEEL SERIES

Nominal Diameter : **4"**

Nominal Flow : **3m<sup>3</sup>/h**

Outlet Size : **1 1/4"**

### Dimensions & Weight Data



PUMP MODEL	POWER		DIMENSIONS (mm)			NET WEIGHT (kg)
	kW	HP	OD	RP	H	
S4S-3/06	0.37	0.5	97	32	291	3
S4S-3/09	0.55	0.75	97	32	357	3
S4S-3/12	0.75	1	97	32	423	4
S4S-3/15	1.1	1.5	97	32	489	5
S4S-3/18	1.1	1.5	97	32	555	6
S4S-3/22	1.5	2	97	32	643	7
S4S-3/25	1.5	2	97	32	709	8
S4S-3/29	2.2	3	97	32	797	8
S4S-3/33	2.2	3	97	32	1022	12
S4S-3/39	3	4	97	32	1166	14
S4S-3/45	3	4	97	32	1334	16
S4S-3/52	4	5.5	97	32	1502	18
S4S-3/60	4	5.5	97	32	1718	21
S4S-3/75	5.5	7.5	97	32	2148	26

### Performance Table

PUMP MODEL	POWER (kW)	HEAD (m)	lps	0	0.41	0.55	0.69	0.83	0.97	1.11	1.25
			m <sup>3</sup> /h	0	1.5	2.0	2.5	3.0	3.5	4.0	4.5
S4S-3/06	0.37	HEAD (m)	35	34	31	29	25	20	15	10	
S4S-3/09	0.55		56	52	50	45	40	32	24	14	
S4S-3/12	0.75		75	67	63	60	53	45	32	19	
S4S-3/15	1.1		98	86	82	76	67	55	41	25	
S4S-3/18	1.1		115	106	100	91	80	66	50	32	
S4S-3/22	1.5		140	129	121	111	99	80	60	35	
S4S-3/25	1.5		156	143	135	122	107	89	65	40	
S4S-3/29	2.2		185	169	156	144	129	108	80	50	
S4S-3/33	2.2		209	190	180	166	149	123	90	57	
S4S-3/39	3		245	223	210	195	177	153	117	75	
S4S-3/45	3		275	255	243	227	206	176	135	81	
S4S-3/52	4		320	295	280	263	240	207	160	97	
S4S-3/60	4		377	337	320	300	270	230	180	110	
S4S-3/75	5.5		465	415	395	370	332	282	220	132	

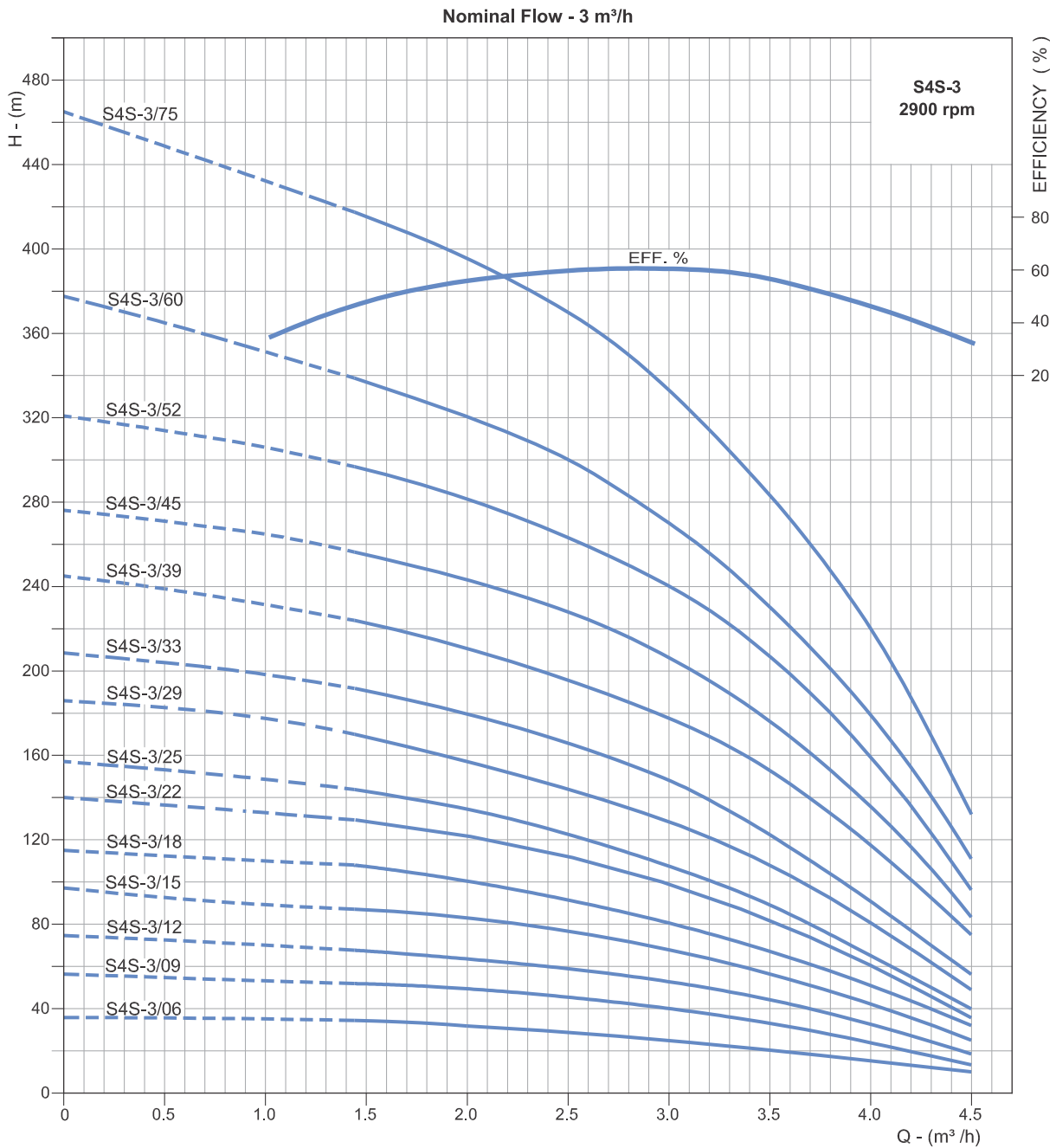
# STAINLESS STEEL SERIES

Nominal Diameter : **4"**

Nominal Flow : **3m<sup>3</sup>/h**

Outlet Size : **1 1/4"**

## Performance Curves



Performance curve tolerances are as per HI : 14.6 / ISO : 9906, Grade 3B.

In view of continuous developments, the informations / descriptions / specifications / illustrations are subject to change without notice.

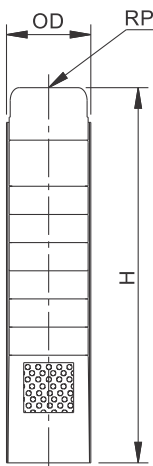
# STAINLESS STEEL SERIES

Nominal Diameter : **4"**

Nominal Flow : **5m<sup>3</sup>/h**

Outlet Size : **1 1/2"**

Dimensions & Weight Data



PUMP MODEL	POWER		DIMENSIONS (mm)			NET WEIGHT (kg)
	kW	HP	OD	RP	H	
S4S-5/04	0.37	0.5	97	40	255	2
S4S-5/06	0.55	0.75	97	40	303	3
S4S-5/08	0.75	1	97	40	351	4
S4S-5/12	1.1	1.5	97	40	447	5
S4S-5/17	1.5	2	97	40	567	6
S4S-5/21	2.2	3	97	40	663	7
S4S-5/25	2.2	3	97	40	759	8
S4S-5/33	3	4	97	40	1022	12
S4S-5/38	4	5.5	97	40	1142	13
S4S-5/44	4	5.5	97	40	1310	16
S4S-5/52	5.5	7.5	97	40	1502	18
S4S-5/60	5.5	7.5	97	40	1718	21
S4S-5/70	7.5	10	97	40	1939	25
S4S-5/75	7.5	10	97	40	2078	27

Performance Table

PUMP MODEL	POWER (kW)	lps	0	0.55	0.83	1.11	1.39	1.66	1.94
		m <sup>3</sup> /h	0	2.0	3.0	4.0	5.0	6.0	7.0
S4S-5/04	0.37	HEAD (m)	28	26	22.5	20	17	12	5
S4S-5/06	0.55		39	36	32	28	22	17	10
S4S-5/08	0.75		46	42.5	40	37	32	23	15
S4S-5/12	1.1		75	71	65	57	48	38	24
S4S-5/17	1.5		108	94	88	80	68	51	33
S4S-5/21	2.2		138	121	112	99	84	65	42
S4S-5/25	2.2		162	143	131	119	102	77	53
S4S-5/33	3		202	179	165	147	128	100	68
S4S-5/38	4		241	215	198	177	152	119	81
S4S-5/44	4		280	244	223	199	170	134	92
S4S-5/52	5.5		324	281	258	230	199	156	108
S4S-5/60	5.5		360	322	300	262	236	190	130
S4S-5/70	7.5		440	389	360	325	279	220	152
S4S-5/75	7.5		487	427	392	352	302	237	168

In view of continuous developments, the informations / descriptions / specifications / illustrations are subject to change without notice.

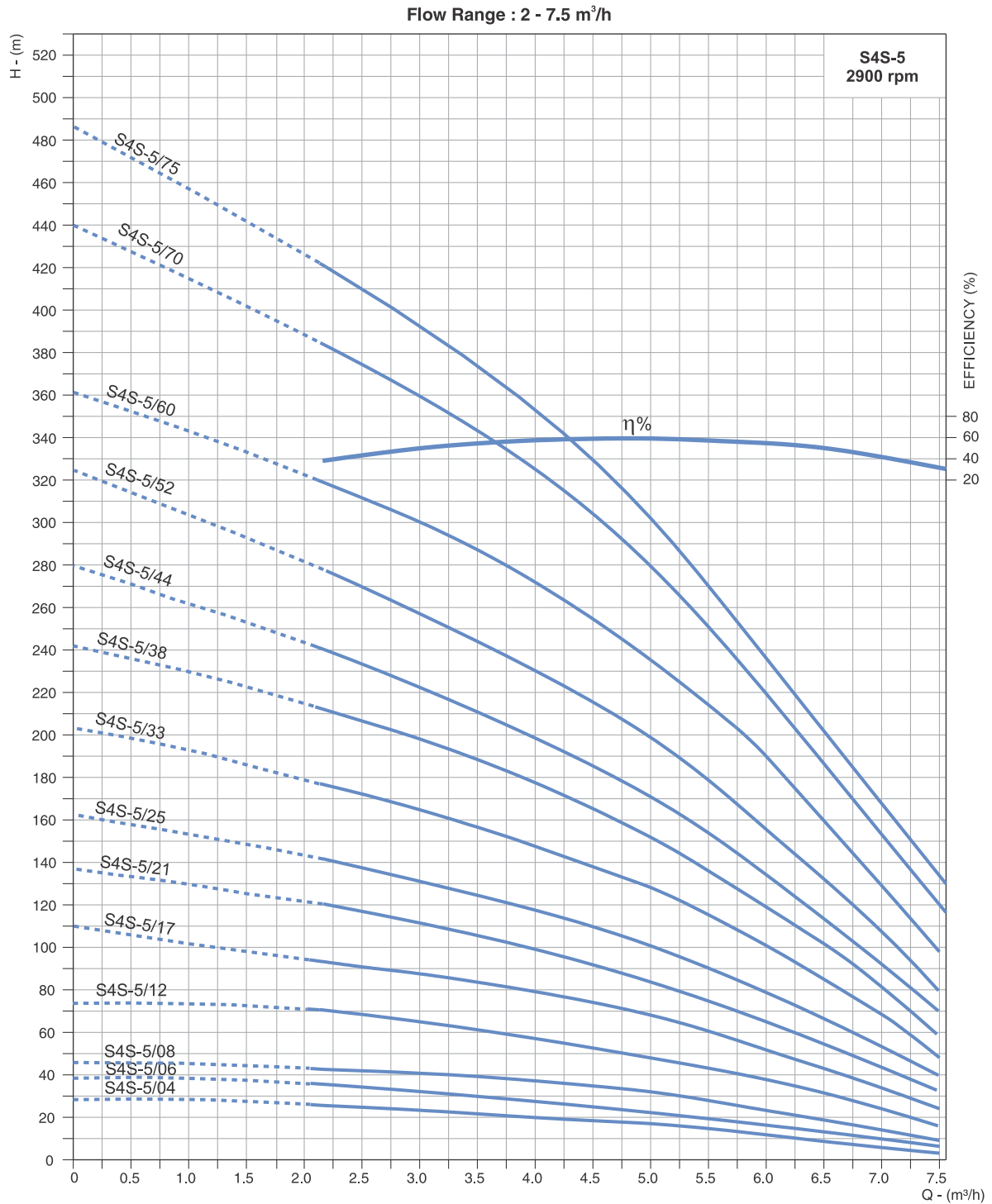
# STAINLESS STEEL SERIES

Nominal Diameter : **4"**

Nominal Flow : **5m<sup>3</sup>/h**

Outlet Size : **1 1/2"**

## Performance Curves



Performance curve tolerances are as per HI : 14.6 / ISO : 9906, Grade 3B.

In view of continuous developments, the informations / descriptions / specifications / illustrations are subject to change without notice.

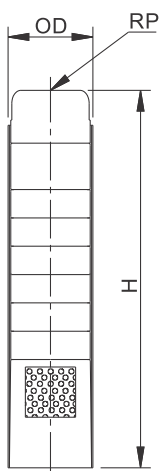
# STAINLESS STEEL SERIES

Nominal Diameter : **4"**

Nominal Flow : **8m<sup>3</sup>/h**

Outlet Size : **2"**

Dimensions & Weight Data



PUMP MODEL	POWER		DIMENSIONS (mm)			NET WEIGHT (kg)
	kW	HP	OD	RP	H	
S4S-8/05	0.75	1	97	50	410	5
S4S-8/07	1.1	1.5	97	50	482	5
S4S-8/09	1.5	2	97	50	554	6
S4S-8/10	1.5	2	97	50	590	6
S4S-8/12	2.2	3	97	50	662	7
S4S-8/15	2.2	3	97	50	770	9
S4S-8/18	3	4	97	50	878	10
S4S-8/22	4	5.5	97	50	1022	12
S4S-8/25	4	5.5	97	50	1152	13
S4S-8/30	5.5	7.5	97	50	1332	15
S4S-8/34	5.5	7.5	97	50	1476	17
S4S-8/37	5.5	7.5	97	50	1606	19
S4S-8/44	7.5	10	97	50	1860	22
S4S-8/50	7.5	10	97	50	2076	25
S4S-8/58	9.3	12.5	97	50	2390	30
S4S-8/66	11	15	97	50	2678	35
S4S-8/73	11	15	97	50	2954	39

Performance Table

PUMP MODEL	POWER (kW)	lps	0	0.83	1.11	1.39	1.66	1.94	2.22	2.50	2.78	3.05
		m <sup>3</sup> /h	0	3.0	4.0	5.0	6.0	7.0	8.0	9.0	10.0	11.0
S4S-8/05	0.75	HEAD (m)	32	27	25	24	22	20	18	16	13.5	11
S4S-8/07	1.1		42	39	37	36	34	32	27	25	20	16
S4S-8/09	1.5		55	50	49	46	44	42	38	34	28	22
S4S-8/10	1.5		63	55	52	50	48	44	40	36	30	24
S4S-8/12	2.2		74	69	67	64	61	56	51	45	37	27.5
S4S-8/15	2.2		94	86	83	79	75	69	63	55	28	36
S4S-8/18	3		108	105	101	96	91	84	76	67	56	44
S4S-8/22	4		132	126	121	115	108	99	90	79	67	54
S4S-8/25	4		155	141	136	129	122	112	103	91	78	62
S4S-8/30	5.5		182	164	156	148	139	130	120	107	90	71
S4S-8/34	5.5		202	185	179	171	163	153	140	126	107	85
S4S-8/37	5.5		230	204	195	185	173	162	146	131	112	89
S4S-8/44	7.5		262	237	228	217	205	191	177	156	129	100
S4S-8/50	7.5		304	272	261	249	235	220	200	176	148	112
S4S-8/58	9.3		339	300	284	270	255	241	225	198	162	127
S4S-8/66	11		378	340	323	310	295	280	260	230	190	149
S4S-8/73	11		422	370	352	338	320	305	282	250	209	161



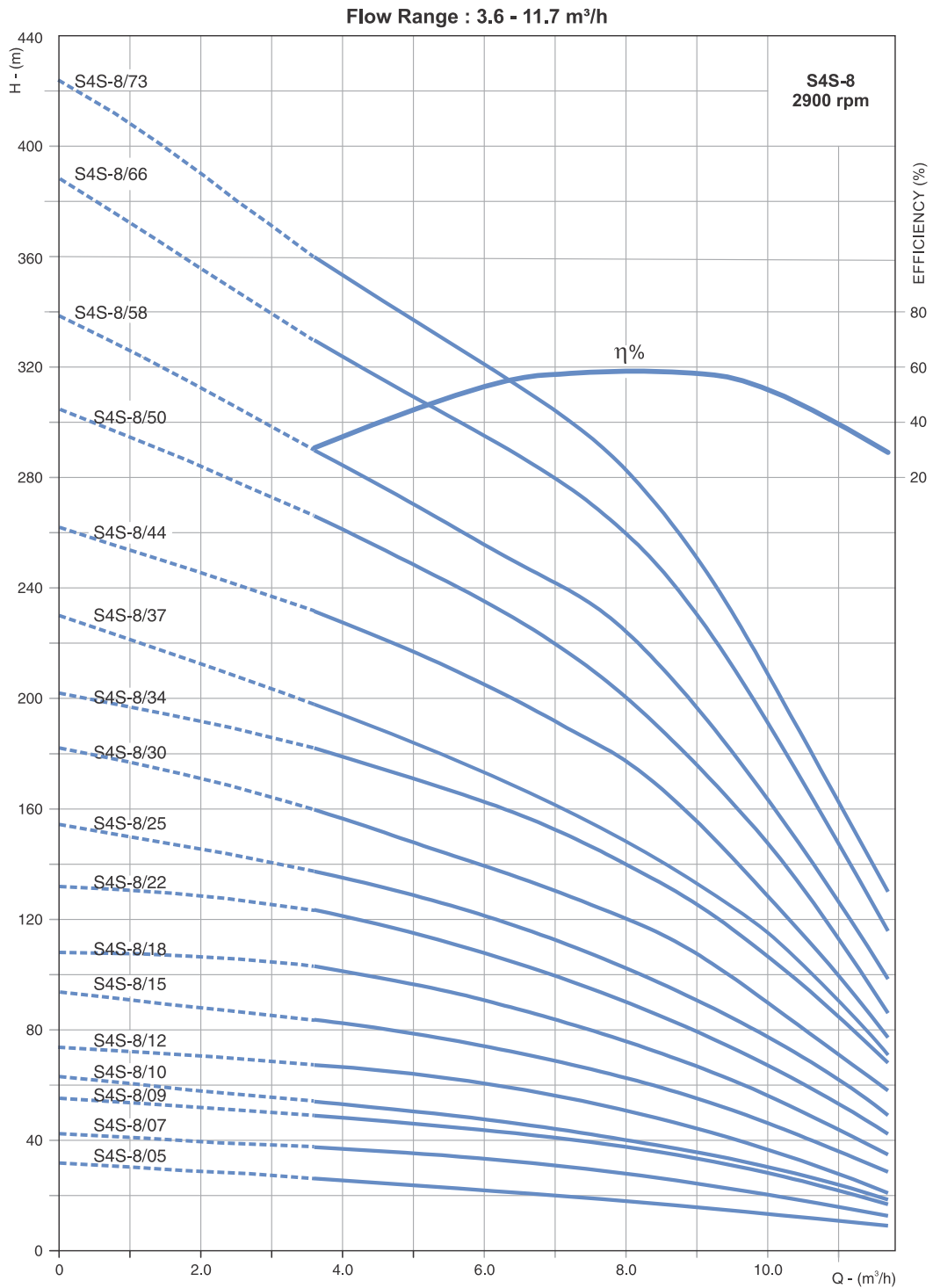
# STAINLESS STEEL SERIES

Nominal Diameter : **4"**

Nominal Flow : **8m<sup>3</sup>/h**

Outlet Size : **2"**

## Performance Curves



Performance curve tolerances are as per HI : 14.6 / ISO : 9906, Grade 3B.

In view of continuous developments, the informations / descriptions / specifications / illustrations are subject to change without notice.

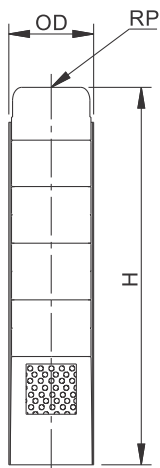
# STAINLESS STEEL SERIES

Nominal Diameter : **4"**

Nominal Flow : **14m<sup>3</sup>/h**

Outlet Size : **2"**

**Dimensions & Weight Data**



PUMP MODEL	POWER		DIMENSIONS (mm)			NET WEIGHT (kg)
	kW	HP	OD	RP	H	
S4S-14/05	1.5	2	97	50	573	6
S4S-14/07	2.2	3	97	50	703	8
S4S-14/09	3	4	97	50	833	9
S4S-14/10	3	4	97	50	898	10
S4S-14/11	3.7	5	97	50	963	10
S4S-14/13	4	5.5	97	50	1093	12
S4S-14/16	5.5	7.5	97	50	1288	14
S4S-14/18	5.5	7.5	97	50	1418	16
S4S-14/22	7.5	10	97	50	1678	19
S4S-14/25	7.5	10	97	50	1873	21

**Performance Table**

PUMP MODEL	POWER (kW)	lps	0	1.11	1.67	2.22	2.78	3.33	3.89	4.44	5.00
		m <sup>3</sup> /h	0	4	6	8	10	12	14	16	18
S4S-14/05	1.5	HEAD (m)	31	30	29	28	26	23	20	16	12
S4S-14/07	2.2		42	41	40	39	37	33	29	24	15
S4S-14/09	3		56	55	53	51	47	43	38	32	25
S4S-14/10	3		65	63	60	57	54	49	43	37	29
S4S-14/11	3.7		75	72	70	66	62	56	50	42	32
S4S-14/13	4		85	83	80	75	70	64	56	47	36
S4S-14/16	5.5		104	102	99	95	89	81	71	59	44
S4S-14/18	5.5		119	115	112	107	100	91	81	56	50
S4S-14/22	7.5		141	136	132	127	120	111	96	78	58
S4S-14/25	7.5		161	156	152	145	137	125	110	91	68

In view of continuous developments, the informations / descriptions / specifications / illustrations are subject to change without notice.

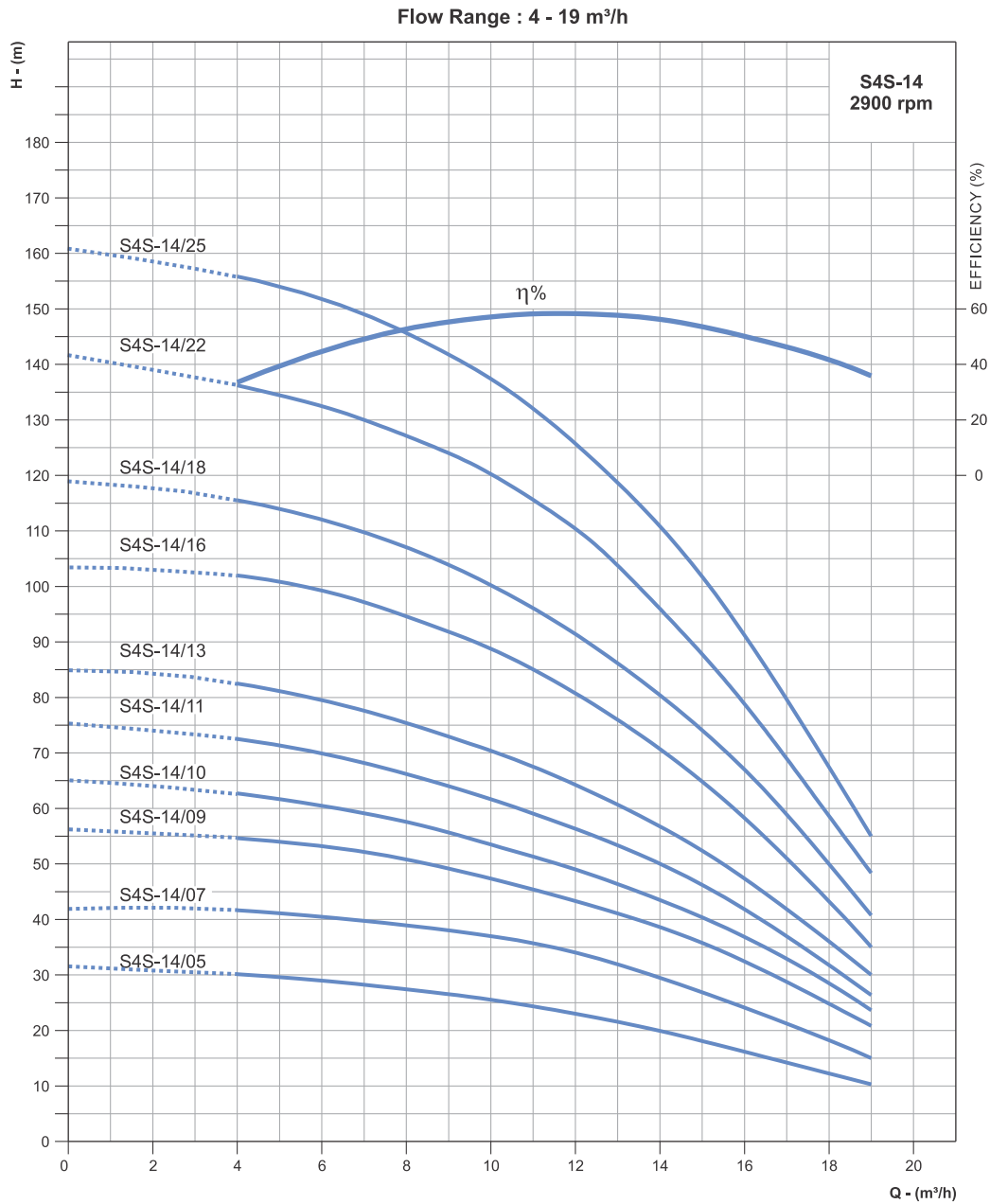
# STAINLESS STEEL SERIES

Nominal Diameter : **4"**

Nominal Flow : **14m<sup>3</sup>/h**

Outlet Size : **2"**

## Performance Curves



Performance curve tolerances are as per HI : 14.6 / ISO : 9906, Grade 3B.  
In view of continuous developments, the informations / descriptions / specifications / illustrations are subject to change without notice.

# STAINLESS STEEL SERIES

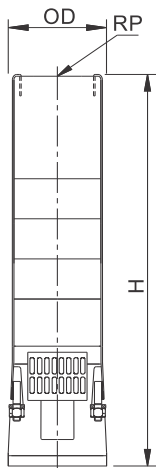
Nominal Diameter : **6"**

Nominal Flow : **14m<sup>3</sup>/h**

Outlet Size : Standard : **2"**

Optional : **2½"**

### Dimensions & Weight Data



PUMP MODEL	POWER		*NO OF CABLE GUARD	DIMENSIONS (mm)			NET WEIGHT (kg)
	kW	HP		OD	RP	H	
S6S-14/05	3	4	1	139	50/65	491	12
S6S-14/06	3	4	1	139	50/65	530	12
S6S-14/07	3.7	5	1	139	50/65	569	13
S6S-14/08	4	5.5	1	139	50/65	608	14
S6S-14/09	5.5	7.5	1	139	50/65	647	15
S6S-14/10	5.5	7.5	1/2	139/143	50/65	686	16
S6S-14/11	5.5	7.5	1/2	139/143	50/65	725	17
S6S-14/12	7.5	10	1/2	139/143	50/65	764	18
S6S-14/13	7.5	10	1/2	139/143	50/65	803	19
S6S-14/14	7.5	10	1/2	139/143	50/65	842	20
S6S-14/15	7.5	10	1/2	139/143	50/65	881	21
S6S-14/16	9.3	12.5	1/2	139/143	50/65	920	22
S6S-14/17	9.3	12.5	1/2	139/143	50/65	959	23
S6S-14/18	9.3	12.5	1/2	139/143	50/65	998	24
S6S-14/19	9.3	12.5	1/2	139/143	50/65	1037	25
S6S-14/20	11	15	1/2	139/143	50/65	1076	25
S6S-14/21	11	15	1/2	139/143	50/65	1115	26
S6S-14/22	11	15	1/2	139/143	50/65	1154	27
S6S-14/23	11	15	1/2	139/143	50/65	1193	28
S6S-14/24	11	15	1/2	139/143	50/65	1232	29
S6S-14/25	13	17.5	1/2	139/143	50/65	1271	30
S6S-14/26	13	17.5	1/2	139/143	50/65	1310	31
S6S-14/27	13	17.5	1/2	139/143	50/65	1349	32
S6S-14/28	13	17.5	1/2	139/143	50/65	1388	33
S6S-14/29	13	17.5	1/2	139/143	50/65	1427	34
S6S-14/30	15	20	1/2	139/143	50/65	1466	35
S6S-14/31	15	20	1/2	139/143	50/65	1505	36
S6S-14/32	15	20	1/2	139/143	50/65	1544	36
S6S-14/33	15	20	1/2	139/143	50/65	1583	37
S6S-14/34	18.5	25	1/2	139/143	50/65	1622	38
S6S-14/35	18.5	25	1/2	139/143	50/65	1661	39
S6S-14/36	18.5	25	1/2	139/143	50/65	1700	40
S6S-14/37	18.5	25	1/2	139/143	50/65	1739	41
S6S-14/38	18.5	25	1/2	139/143	50/65	1778	42
S6S-14/39	18.5	25	1/2	139/143	50/65	1817	43
S6S-14/40	18.5	25	1/2	139/143	50/65	1856	44
S6S-14/41	18.5	25	1/2	139/143	50/65	1895	45
S6S-14/42	18.5	25	1/2	139/143	50/65	1934	46
S6S-14/43	22	30	1/2	139/143	50/65	1973	46
S6S-14/44	22	30	1/2	139/143	50/65	2012	47
S6S-14/45	22	30	1/2	139/143	50/65	2051	48
S6S-14/46	22	30	1/2	139/143	50/65	2090	49
S6S-14/47	22	30	1/2	139/143	50/65	2129	50
S6S-14/48	22	30	1/2	139/143	50/65	2168	51
S6S-14/49	22	30	1/2	139/143	50/65	2207	52
S6S-14/50	22	30	1/2	139/143	50/65	2246	53
S6S-14/54	26	35	1/2	139/143	65	2402	57
S6S-14/64	45	60	1/2	139/143	65	2792	69
S6S-14/65	45	60	1/2	139/143	65	2836	70.48

\* 1 denotes Single Cable Guard (D.O.L - 3 wire) and 2 denotes Double Cable Guard (S.D - 6 wire). Please specify preference while placing order. In view of continuous developments, the informations / descriptions / specifications / illustrations are subject to change without notice.

# STAINLESS STEEL SERIES

Nominal Diameter : **6"**

Nominal Flow : **14m<sup>3</sup>/h**

Outlet Size : Standard : **2"**

Optional : **2½"**

**Performance Table**

PUMP MODEL	POWER (kW)	lps	0	1.66	2.22	2.78	3.33	3.89	4.44	5.00
		m <sup>3</sup> /h	0	6	8	10	12	14	16	18
S6S-14/05	3	HEAD (m)	59	52	50	46	42	35	26	17
S6S-14/06	3		70	64	60	56	52	44	33	22
S6S-14/07	3.7		82	74	71	67	60	52	40	28
S6S-14/08	4		94	84	80	75	68	59	45	31
S6S-14/09	5.5		104	93	90	84	77	66	50	33
S6S-14/10	5.5		118	104	100	94	85	72	56	36
S6S-14/11	5.5		130	115	108	102	92	79	60	38
S6S-14/12	7.5		140	123	116	109	99	84	64	42
S6S-14/13	7.5		150	130	124	116	107	88	68	46
S6S-14/14	7.5		160	142	135	127	116	99	78	53
S6S-14/15	7.5		172	153	146	137	127	109	87	60
S6S-14/16	9.3		184	164	156	147	135	116	92	64
S6S-14/17	9.3		196	174	166	156	143	123	96	67
S6S-14/18	9.3		204	184	176	166	150	128	100	71
S6S-14/19	9.3		218	189	184	172	156	135	107	75
S6S-14/20	11		228	202	191	179	163	140	112	79
S6S-14/21	11		240	209	197	184	168	147	116	83
S6S-14/22	11		254	219	205	192	176	153	121	90
S6S-14/23	11		262	236	217	204	186	163	129	96
S6S-14/24	11		280	244	232	217	199	172	136	96
S6S-14/25	13		290	257	244	230	211	183	144	100
S6S-14/26	13		302	267	254	239	220	190	150	104
S6S-14/27	13		316	278	265	248	228	197	156	110
S6S-14/28	13		324	290	276	260	237	204	161	116
S6S-14/29	13		338	300	285	268	244	212	168	118
S6S-14/30	15		350	308	292	275	252	218	172	120
S6S-14/31	15		360	320	304	284	260	227	180	127
S6S-14/32	15		374	332	316	296	272	236	189	132
S6S-14/33	15		384	343	330	310	282	242	192	138
S6S-14/34	18.5		396	356	340	320	292	251	200	145
S6S-14/35	18.5		408	367	349	329	300	259	208	154
S6S-14/36	18.5		420	376	359	337	308	267	216	160
S6S-14/37	18.5		430	385	368	347	316	275	222	167
S6S-14/38	18.5		440	395	376	355	324	281	229	172
S6S-14/39	18.5		454	404	386	363	332	289	237	180
S6S-14/40	18.5		464	412	395	372	340	298	244	188
S6S-14/41	18.5		476	422	404	382	348	305	253	195
S6S-14/42	18.5		488	432	413	391	359	313	260	203
S6S-14/43	22		500	443	424	400	368	320	268	212
S6S-14/44	22		510	453	434	411	376	329	276	220
S6S-14/45	22		520	464	444	420	386	340	284	230
S6S-14/46	22		528	474	455	432	396	348	292	238
S6S-14/47	22		538	483	463	440	405	358	302	244
S6S-14/48	22		550	491	471	448	416	368	312	252
S6S-14/49	22		560	501	481	458	424	380	322	260
S6S-14/50	22	566	512	491	468	435	389	333	268	
S6S-14/54	26	620	552	515	494	455	408	350	280	
S6S-14/64	37	740	665	628	585	535	476	400	312	
S6S-14/65	45	755	670	634	590	540	480	417	318	

# STAINLESS STEEL SERIES

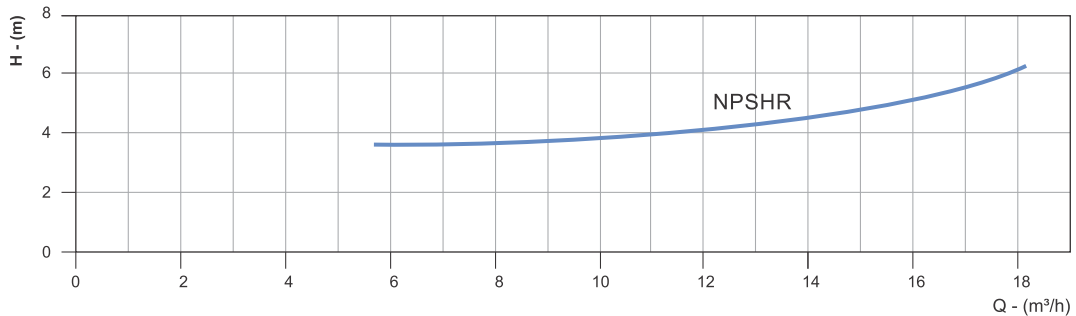
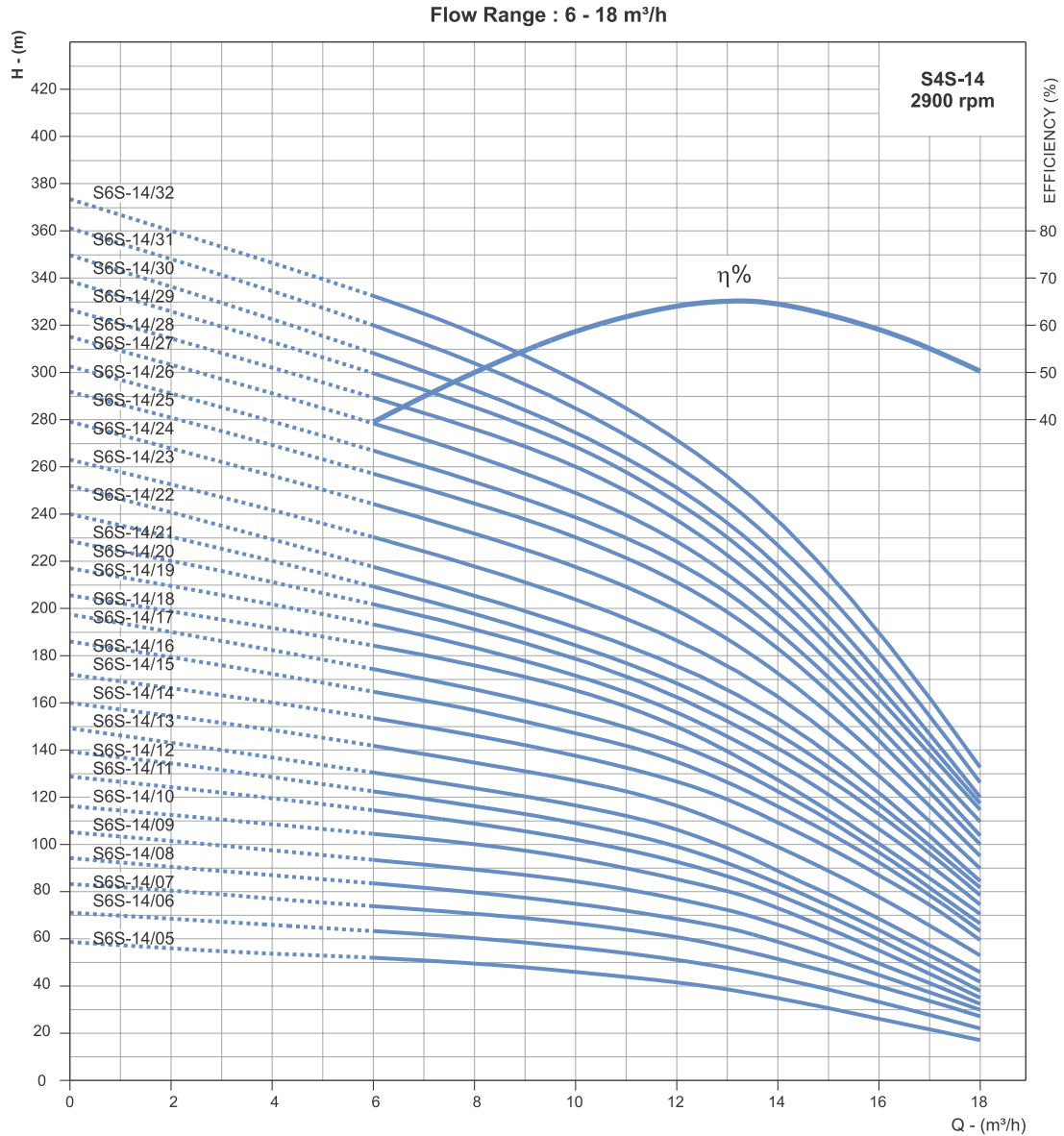
Nominal Diameter : **6"**

Nominal Flow : **14m<sup>3</sup>/h**

Outlet Size : Standard : **2"**

Optional : **2½"**

## Performance Curves



Performance curve tolerances are as per HI : 14.6 / ISO : 9906, Grade 3B.

In view of continuous developments, the informations / descriptions / specifications / illustrations are subject to change without notice.

# STAINLESS STEEL SERIES

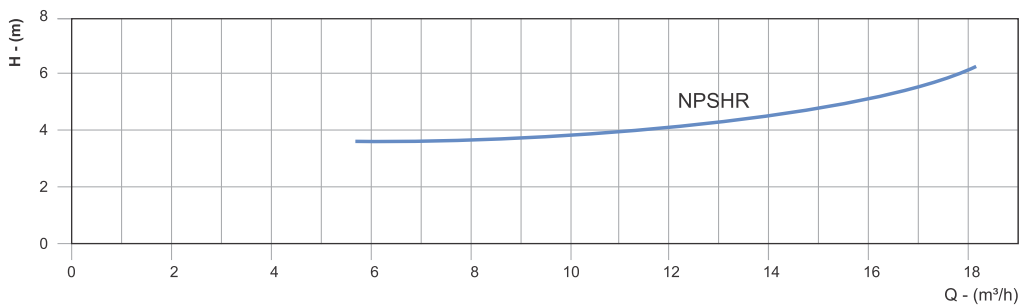
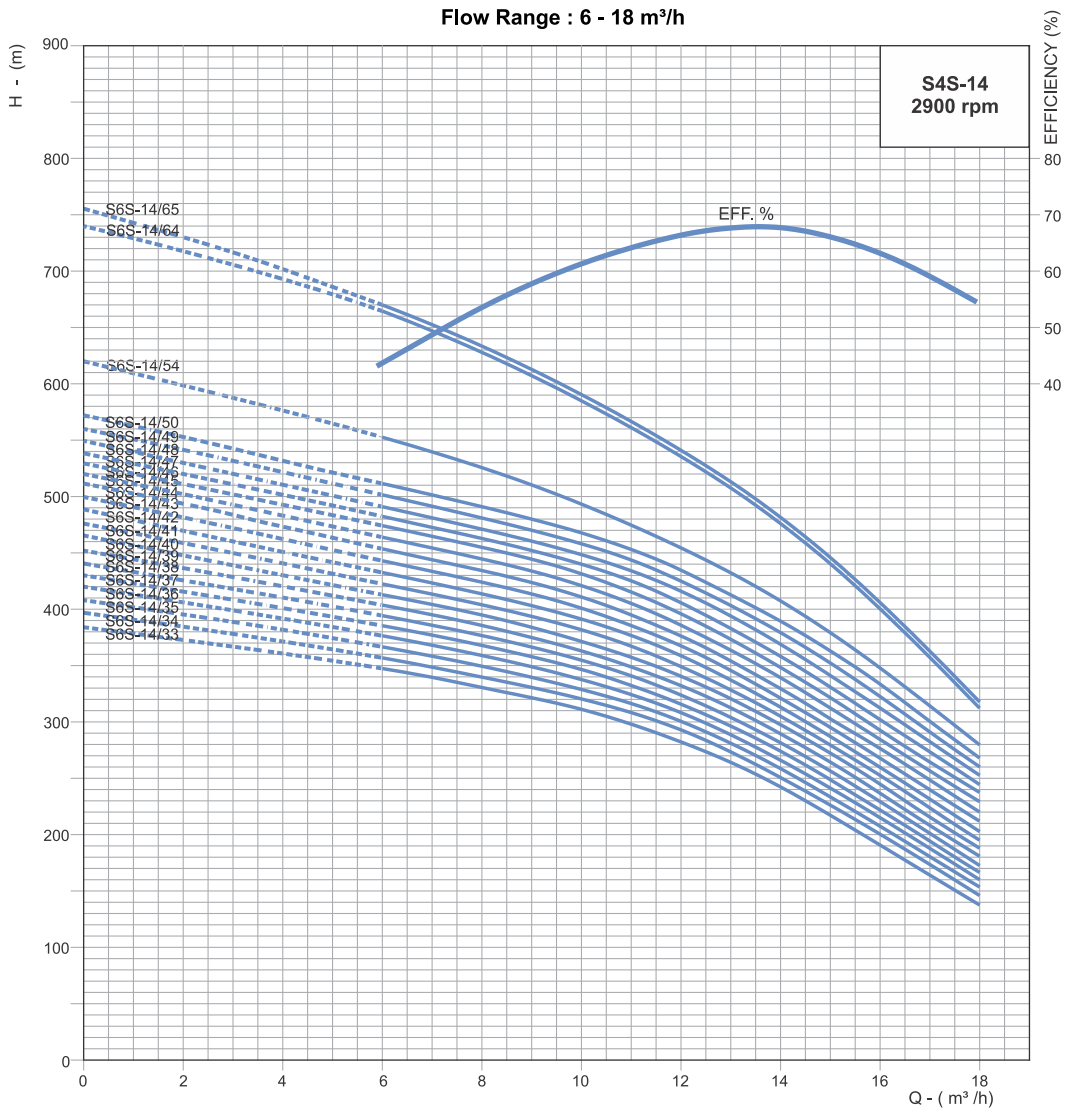
Nominal Diameter : **6"**

Nominal Flow : **14m<sup>3</sup>/h**

Outlet Size : Standard : **2"**

Optional : **2½"**

## Performance Curves



Performance curve tolerances are as per HI : 14.6 / ISO : 9906, Grade 3B.

In view of continuous developments, the informations / descriptions / specifications / illustrations are subject to change without notice.

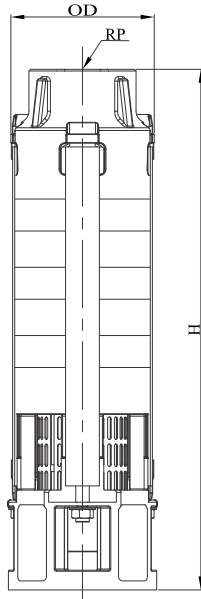
# STAINLESS STEEL SERIES

Nominal Diameter : **6"**

Nominal Flow : **17m<sup>3</sup>/h**

Outlet Size : Standard : **2½"**  
Optional : **3"**

Dimensions & Weight Data



PUMP MODEL	POWER		*NO OF CABLE GUARD	DIMENSIONS (mm)			NET WEIGHT (kg)
	kW	HP		OD	RP	H	
S6S-17/1	0.55	0.75	1	134	65	342	7
S6S-17/2	1.1	1.5	1	134	65	403	8
S6S-17/3	2.2	3	1	134	65	463	9
S6S-17/4	2.2	3	1	134	65	526	11
S6S-17/5	3	4	1	134	65	584	12
S6S-17/6	4	5.5	1	134	65	645	14
S6S-17/7	4	5.5	1	134	65	705	15
S6S-17/8	5.5	7.5	1	134	65	766	16
S6S-17/9	5.5	7.5	1	134	65	826	18
S6S-17/10	5.5	7.5	1	134	65	887	19
S6S-17/11	7.5	10	1	134	65	947	20
S6S-17/12	7.5	10	1	134	65	1008	22
S6S-17/13	7.5	10	1	134	65	1068	23
S6S-17/14	9.3	12.5	1/2	142/144	65	1129	26
S6S-17/15	9.3	12.5	1/2	142/144	65	1189	27
S6S-17/16	9.3	12.5	1/2	142/144	65	1250	29
S6S-17/17	9.3	12.5	1/2	142/144	65	1310	30
S6S-17/18	11	15	1/2	142/144	65	1371	32
S6S-17/19	11	15	1/2	142/144	65	1431	33
S6S-17/20	11	15	1/2	142/144	65	1492	34
S6S-17/21	13	17.5	1/2	142/144	65	1552	36
S6S-17/22	13	17.5	1/2	142/144	65	1613	37
S6S-17/23	13	17.5	1/2	142/144	65	1673	39
S6S-17/24	13	17.5	1/2	142/144	65	1734	40
S6S-17/25	15	20	1/2	142/144	65	1794	41
S6S-17/26	15	20	1/2	142/144	65	1855	43
S6S-17/27	15	20	1/2	142/144	65	1915	44
S6S-17/28	18.5	25	1/2	142/144	65	1976	46
S6S-17/29	18.5	25	1/2	142/144	65	2036	47
S6S-17/30	18.5	25	1/2	142/144	65	2097	48
S6S-17/31	18.5	25	1/2	142/144	65	2157	50
S6S-17/32	18.5	25	1/2	142/144	65	2218	51
S6S-17/33	18.5	25	1/2	142/144	65	2278	53
S6S-17/34	22	30	1/2	142/144	65	2339	54
S6S-17/35	22	30	1/2	142/144	65	2399	55
S6S-17/36	22	30	1/2	142/144	65	2460	57
S6S-17/37	22	30	1/2	142/144	65	2520	58
S6S-17/38	22	30	1/2	142/144	65	2581	60
S6S-17/39	22	30	1/2	142/144	65	2641	61
S6S-17/40	22	30	1/2	142/144	65	2702	62

\* 1 denotes Single Cable Guard (D.O.L - 3 wire) and 2 denotes Double Cable Guard (S.D - 6 wire). Please specify preference while placing order.

\* OD for 4/6 combination is 134 mm (single cable guard)

Performance curve tolerances are as per HI : 14.6 / ISO : 9906, Grade 3B.

In view of continuous developments, the informations / descriptions / specifications / illustrations are subject to change without notice.



# STAINLESS STEEL SERIES

Nominal Diameter : **6"**

Nominal Flow : **17m<sup>3</sup>/h**

Outlet Size : Standard : **2½"**  
Optional : **3"**

**Performance Table**

PUMP MODEL	POWER (kW)	lps	0	1.1	1.66	2.78	3.89	4.27	5.55	7.22
		m <sup>3</sup> /h	0	4	6	10	14	17	20	22
S6S-17/1	0.55	HEAD (m)	11	10.75	10.5	10	8	6	5	4
S6S-17/2	1.1		22	21	20	19	17	14	11	9
S6S-17/3	2.2		33	32	31	30	27	23	18	15
S6S-17/4	2.2		43	42	41	40	35	30	24	18
S6S-17/5	3		54	53	52.2	50	44	38	30	24
S6S-17/6	4		66	65	64	60	53	47	37	30
S6S-17/7	4		76	76	75	70	62	53	43	34
S6S-17/8	5.5		87	86	85	81	72	62	50	41
S6S-17/9	5.5		98	97	96	91	81	70	56	45
S6S-17/10	5.5		108	107	106	101	88	77	61	49
S6S-17/11	7.5		120	119	118	112	99	86	70	56
S6S-17/12	7.5		130	129	128	121	108	93	75	60
S6S-17/13	7.5		141	140	139	131	116	100	81	64
S6S-17/14	9.3		152	151	150	142	126	110	88	71
S6S-17/15	9.3		163	162	161	151	134	116	94	75
S6S-17/16	9.3		172	172	171	161	143	123	99	79
S6S-17/17	9.3		182	182	180	170	150	130	104	82
S6S-17/18	11		196	194	193	182	162	140	113	92
S6S-17/19	11		206	204	203	192	169	146	117	94
S6S-17/20	11		215	213	212	201	178	153	123	97
S6S-17/21	13		229	227	224	213	189	165	133	107
S6S-17/22	13		239	238	235	223	197	171	137	110
S6S-17/23	13		249	248	244	233	205	178	143	113
S6S-17/24	13		259	258	255	242	312	184	147	116
S6S-17/25	15		272	271	269	253	224	195	157	126
S6S-17/26	15		281	280	278	263	233	203	162	131
S6S-17/27	15		292	291	288	272	242	208	167	134
S6S-17/28	18.5		306	304	301	286	255	223	179	146
S6S-17/29	18.5		316	314	311	295	263	230	184	148
S6S-17/30	18.5		327	325	321	306	272	236	191	151
S6S-17/31	18.5		338	335	332	314	280	243	196	157
S6S-17/32	18.5		347	346	341	324	289	251	201	161
S6S-17/33	18.5		358	356	352	334	296	257	206	166
S6S-17/34	22		371	369	367	347	308	269	215	175
S6S-17/35	22		380	378	377	357	317	274	220	178
S6S-17/36	22		391	389	387	366	325	281	225	181
S6S-17/37	22		401	399	396	374	339	288	233	185
S6S-17/38	22		411	408	406	385	341	295	237	188
S6S-17/39	22		422	419	416	393	349	301	243	191
S6S-17/40	22		433	429	427	403	358	308	246	198

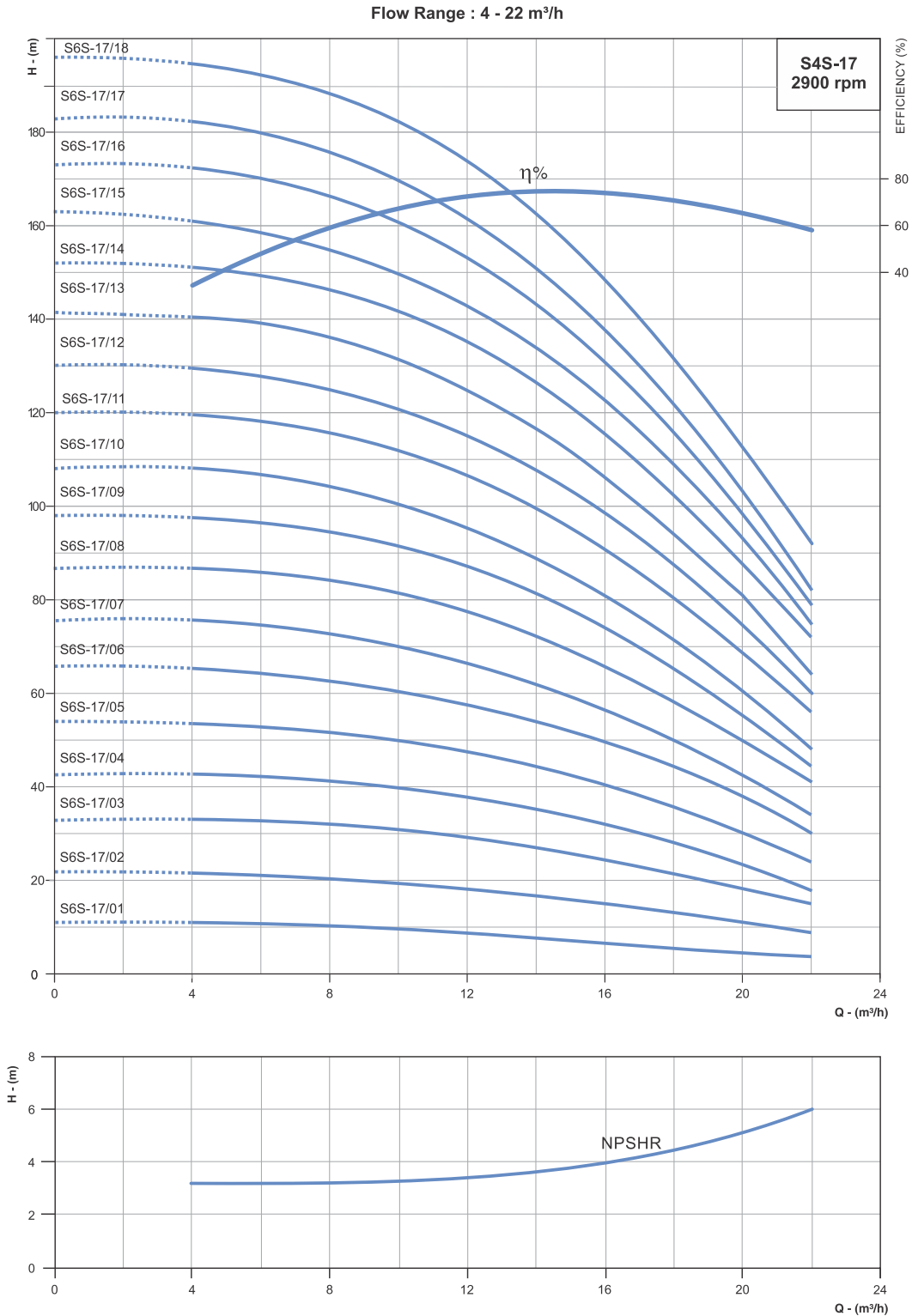
# STAINLESS STEEL SERIES

Nominal Diameter : **6"**

Nominal Flow : **17m<sup>3</sup>/h**

Outlet Size : Standard : **2½"**  
Optional : **3"**

## Performance Curve



Performance curve tolerances are as per HI : 14.6 / ISO : 9906, Grade 3B.

In view of continuous developments, the informations / descriptions / specifications / illustrations are subject to change without notice.

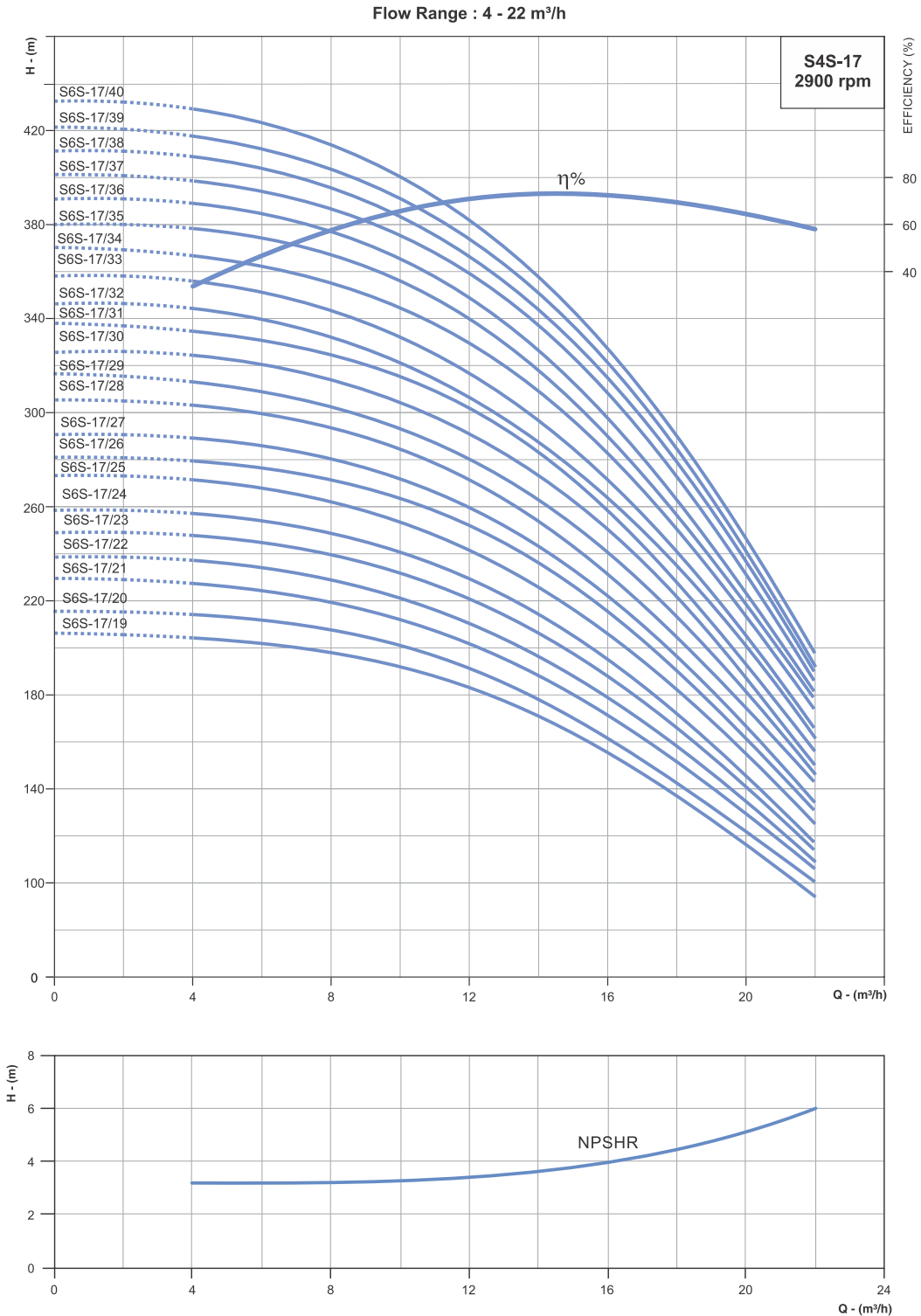
# STAINLESS STEEL SERIES

Nominal Diameter : **6"**

Nominal Flow : **17m<sup>3</sup>/h**

Outlet Size : Standard : **2½"**  
Optional : **3"**

## Performance Curve



Performance curve tolerances are as per HI : 14.6 / ISO : 9906, Grade 3B.

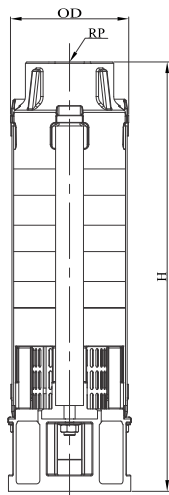
In view of continuous developments, the informations / descriptions / specifications / illustrations are subject to change without notice.

# STAINLESS STEEL SERIES

Nominal Diameter : **6"**

Nominal Flow : **17m<sup>3</sup>/h**

Outlet Size : Standard : **2½"**  
Optional : **3"**



**Dimensions & Weight Data**

PUMP MODEL	POWER		*NO OF CABLE GUARD	DIMENSIONS (mm)			NET WEIGHT (kg)
	kW	HP		OD	RP	H	
S6S-17/43	26	35	1/2	142/144	65	2883	66
S6S-17/45	26	35	1/2	142/144	65	3004	70
S6S-17/48	26	35	1/2	142/144	65	3186	75
S6S-17/51	30	40	1/2	142/144	65	3367	81
S6S-17/53	30	40	1/2	142/144	65	3488	85
S6S-17/55	37	50	1/2	142/144	65	3609	90
S6S-17/58	37	50	1/2	142/144	65	3791	96
S6S-17/60	37	50	1/2	142/144	65	3912	101

**Performance Table**

PUMP MODEL	POWER (kW)	lps	0	0.55	1.66	2.78	3.89	4.27	5.55	7.22
		m <sup>3</sup> /h	0	4	6	10	14	17	20	22
S6S-17/43	26	HEAD (m)	495	467	461	437	388	338	272	217
S6S-17/45	26		487	485	481	456	405	349	281	226
S6S-17/48	26		518	516	511	484	427	369	298	238
S6S-17/51	30		551	547	543	514	456	398	320	256
S6S-17/53	30		570	568	563	534	474	408	330	263
S6S-17/55	37		599	587	592	563	502	437	358	289
S6S-17/58	37		631	629	622	592	527	458	362	302
S6S-17/60	37		651	649	640	611	544	474	386	313

\* 1 denotes Single Cable Guard (D.O.L - 3 wire) and 2 denotes Double Cable Guard (S.D - 6 wire). Please specify preference while placing order. In view of continuous developments, the informations / descriptions / specifications / illustrations are subject to change without notice.

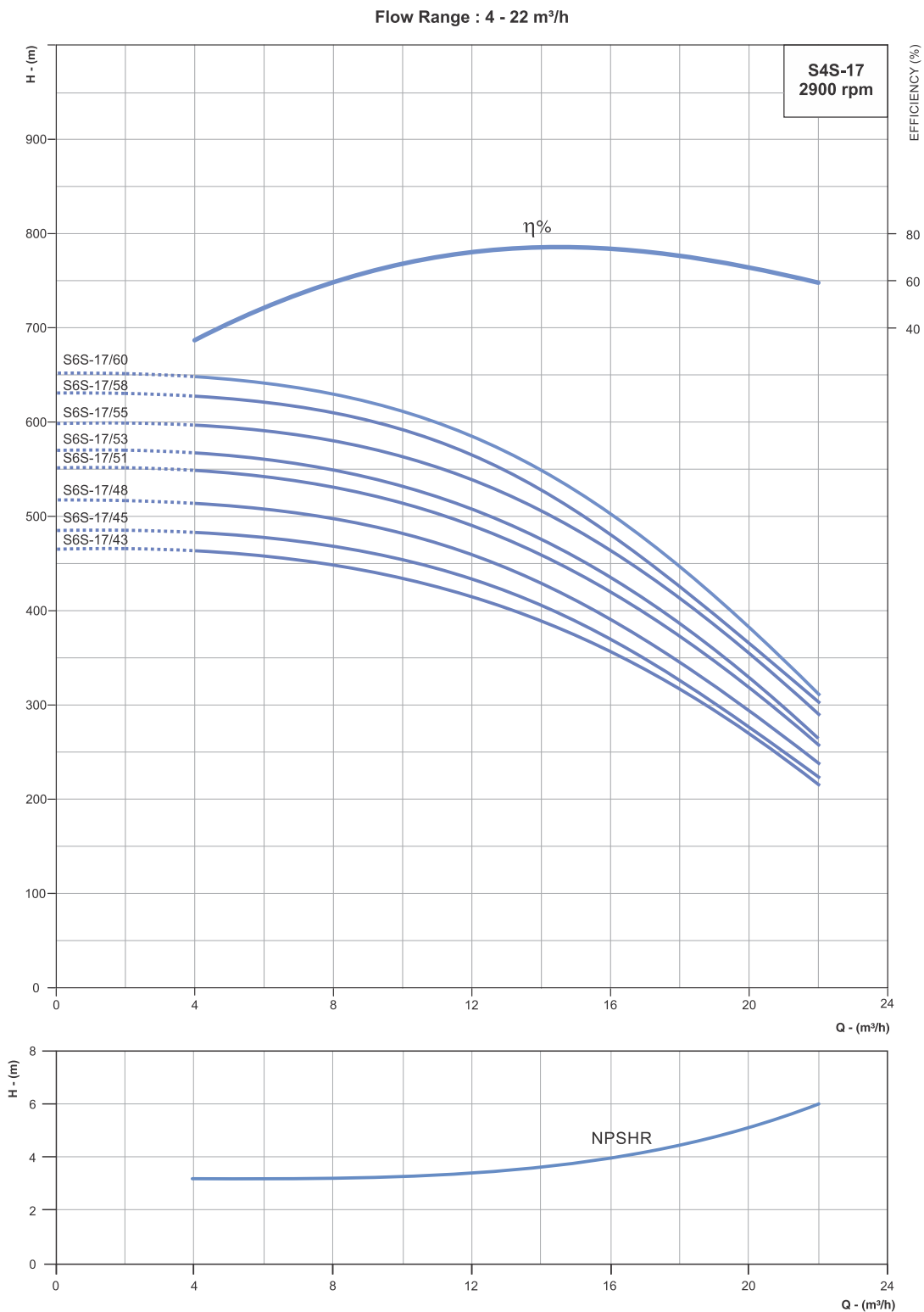
# STAINLESS STEEL SERIES

Nominal Diameter : **6"**

Nominal Flow : **17m<sup>3</sup>/h**

Outlet Size : Standard : **2½"**  
Optional : **3"**

## Performance Curves



Performance curve tolerances are as per HI : 14.6 / ISO : 9906, Grade 3B.  
In view of continuous developments, the informations / descriptions / specifications / illustrations are subject to change without notice.

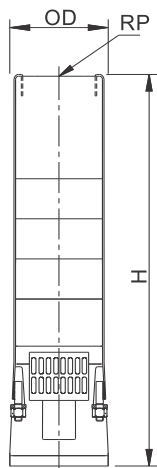
# STAINLESS STEEL SERIES

Nominal Diameter : **6"**

Nominal Flow : **18m<sup>3</sup>/h**

Outlet Size : **2 1/2"**

Dimensions & Weight Data



PUMP MODEL	POWER		*NO OF CABLE GUARD	DIMENSIONS (mm)			NET WEIGHT (kg)
	kW	HP		OD	RP	H	
S6S-18/03	2.2	3	1	139	65	427	10
S6S-18/04	3	4	1	139	65	471	11
S6S-18/05	4	5.5	1	139	65	515	12
S6S-18/06	4	5.5	1	139	65	559	13
S6S-18/07	5.5	7.5	1	139	65	603	14
S6S-18/08	5.5	7.5	1/2	139/143	65	647	15
S6S-18/09	7.5	10	1/2	139/143	65	691	16
S6S-18/10	7.5	10	1/2	139/143	65	735	17
S6S-18/11	9.3	12.5	1/2	139/143	65	779	18
S6S-18/12	9.3	12.5	1/2	139/143	65	823	19
S6S-18/13	9.3	12.5	1/2	139/143	65	867	20
S6S-18/14	9.3	12.5	1/2	139/143	65	911	21
S6S-18/15	11	15	1/2	139/143	65	955	22
S6S-18/16	11	15	1/2	139/143	65	999	23
S6S-18/17	13	17.5	1/2	139/143	65	1043	24
S6S-18/18	13	17.5	1/2	139/143	65	1087	25
S6S-18/19	13	17.5	1/2	139/143	65	1131	26
S6S-18/20	15	20	1/2	139/143	65	1175	27
S6S-18/21	15	20	1/2	139/143	65	1219	28
S6S-18/22	15	20	1/2	139/143	65	1263	29
S6S-18/23	18.5	25	1/2	139/143	65	1307	30
S6S-18/24	18.5	25	1/2	139/143	65	1351	31
S6S-18/25	18.5	25	1/2	139/143	65	1395	32
S6S-18/26	18.5	25	1/2	139/143	65	1439	33
S6S-18/27	18.5	25	1/2	139/143	65	1483	33
S6S-18/28	22	30	1/2	139/143	65	1527	34
S6S-18/29	22	30	1/2	139/143	65	1571	35
S6S-18/30	22	30	1/2	139/143	65	1615	36
S6S-18/31	22	30	1/2	139/143	65	1659	37
S6S-18/32	22	30	1/2	139/143	65	1703	38
S6S-18/33	26	35	1/2	139/143	65	1747	39
S6S-18/34	26	35	1/2	139/143	65	1791	40
S6S-18/35	26	35	1/2	139/143	65	1835	41
S6S-18/36	26	35	1/2	139/143	65	1879	42
S6S-18/38	26	35	1/2	139/143	65	1967	44
S6S-18/40	30	40	1/2	139/143	65	2055	46
S6S-18/42	30	40	1/2	139/143	65	2143	48
S6S-18/44	30	40	1/2	139/143	65	2231	50
S6S-18/46	30	40	1/2	139/143	65	2319	52
S6S-18/48	37	50	1/2	139/143	65	2407	54
S6S-18/50	37	50	1/2	139/143	65	2570	61
S6S-18/51	37	50	1/2	139/143	65	2539	58
S6S-18/56	45	60	1/2	139/143	65	2803	63
S6S-18/60	45	60	1/2	139/143	65	2979	68
S6S-18/66	45	60	1/2	139/143	65	3243	76
S6S-18/70	55	75	1/2	139/143	65	3440	80
S6S-18/72	55	75	1/2	139/143	65	3540	83

\* 1 denotes Single Cable Guard (D.O.L - 3 wire) and 2 denotes Double Cable Guard (S.D - 6 wire). Please specify preference while placing order. In view of continuous developments, the informations / descriptions / specifications / illustrations are subject to change without notice.

# STAINLESS STEEL SERIES

Nominal Diameter : **6"**

Nominal Flow : **18m<sup>3</sup>/h**

Outlet Size : **2½"**

**Performance Table**

PUMP MODEL	POWER (kW)	lps	0	1.66	2.22	2.78	3.33	3.89	4.44	5.00	5.56	6.11	6.67
		m <sup>3</sup> /h	0	6	8	10	12	14	16	18	20	22	24
S6S-18/03	2.2	HEAD (m)	35	37.5	33	32	30	18	25	20	16	11	6
S6S-18/04	3		48	47	46	45	44	41	38	33.5	29	24	18
S6S-18/05	4		58	56	55	54	52	49	46	42	37	31	25.5
S6S-18/06	4		70	66	65	63	61	59	56	52	46	40	33
S6S-18/07	5.5		82	78	77	75	73	70	66	61	54	47	40
S6S-18/08	5.5		95	91	89	86	84	80	76	70	63	54	45
S6S-18/09	7.5		106	102	100	98	96	92	87	80	72.5	63	54
S6S-18/10	7.5		118	103	111.5	109	106	102	98	92	83	72	60
S6S-18/11	9.3		130	125	122	119	116	112	107	100	90	78	66
S6S-18/12	9.3		142	135.5	133	130	126	122	116	108	97	84	70
S6S-18/13	9.3		152	146	144	140	136	131	124	116	105	91	76
S6S-18/14	9.3		164	157	154	151	146.5	141	134	124	112	98	82
S6S-18/15	11		175	169	166	162	158	152	145.5	136	122	106	90
S6S-18/16	11		188	179	176	172	168	162	155	145	131	104	97
S6S-18/17	13		198	190	186	183	178	172	164	154	140	122	103
S6S-18/18	13		209	199	196	192	188	182	174	164	150	132	111
S6S-18/19	13		226	216	210	204	198	190	180	168	152	133	113
S6S-18/20	15		238	225	220	215	208	201	192	180	164	144	120
S6S-18/21	15		250	236	232	227	220	212	204	192	174	152	129
S6S-18/22	15		260	248	242	237	232	224	215	202	184	162	137
S6S-18/23	18.5		274	258	252	247	240	232	222	209	191	168	143
S6S-18/24	18.5		284	264	262	256	248	240	230	216	197	175	149
S6S-18/25	18.5		296	278	271	264	256	248	236	223	204	180	154
S6S-18/26	18.5		304	287	280	272	264	256	244	228	210	185	159
S6S-18/27	18.5		316	298	290	283	274	264	252	237	216	191	164
S6S-18/28	22		330	308	301	292	284	274	261	244	223	197	168
S6S-18/29	22		340	319	311	302	292	284	272	255	231	204	175
S6S-18/30	22		354	337	329	312	303	292	280	264	240	210	182
S6S-18/31	22		364	348	340	323	313	303	290	272	248	219	188
S6S-18/32	22		376	360	351	332	323	312	298	280	256	227	198
S6S-18/33	26		384	370	361	342	331	320	305	287	264	236	207
S6S-18/34	26		396	379	370	351	340	326	312	294	271	244	215
S6S-18/35	26		408	389	379	359	348	336	320	302	279	252	223
S6S-18/36	26		420	399	388	368	356	343	328	309	287	260	231
S6S-18/38	26		432	404	392	384	370	356	340	320	296	268	236
S6S-18/40	30		453	427	416	405	391	375	356	332	305	274	244
S6S-18/42	30		481	450	438	425	412	395	370	348	320	286	249
S6S-18/44	30		504	472	460	448	432	413	392	367	336	300	262
S6S-18/46	30		520	495	482	468	452	432	411	386	352	312	272
S6S-18/48	37		541	517	506	492	475	456	433	405	368	324	279
S6S-18/50	37	575	533	519	503	485	465	441	412	376	330	282	
S6S-18/51	37	620	567	547	525	506	482	457	426	387	340	287	
S6S-18/56	45	680	623	601	577	552	523	490	452	406	353	293	
S6S-18/60	45	726	662	639	614	590	560	527	485	434	373	301	
S6S-18/66	45	809	730	705	678	652	615	578	525	472	398	325	
S6S-18/70	55	830	770	745	720	690	660	620	578	513	438	355	
S6S-18/72	55	870	790	764	738	708	675	638	590	528	448	363	

In view of continuous developments, the informations / descriptions / specifications / illustrations are subject to change without notice.

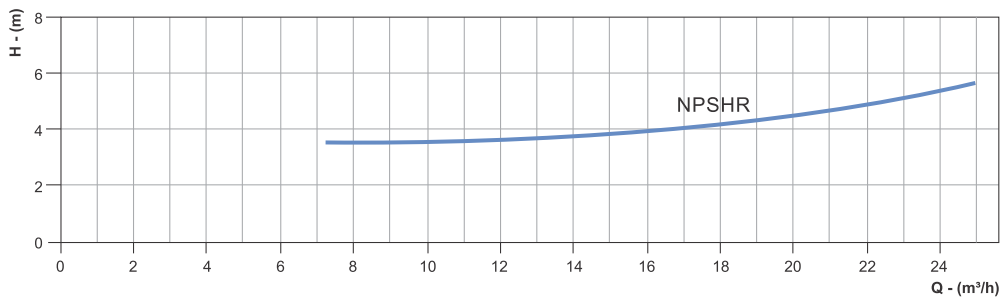
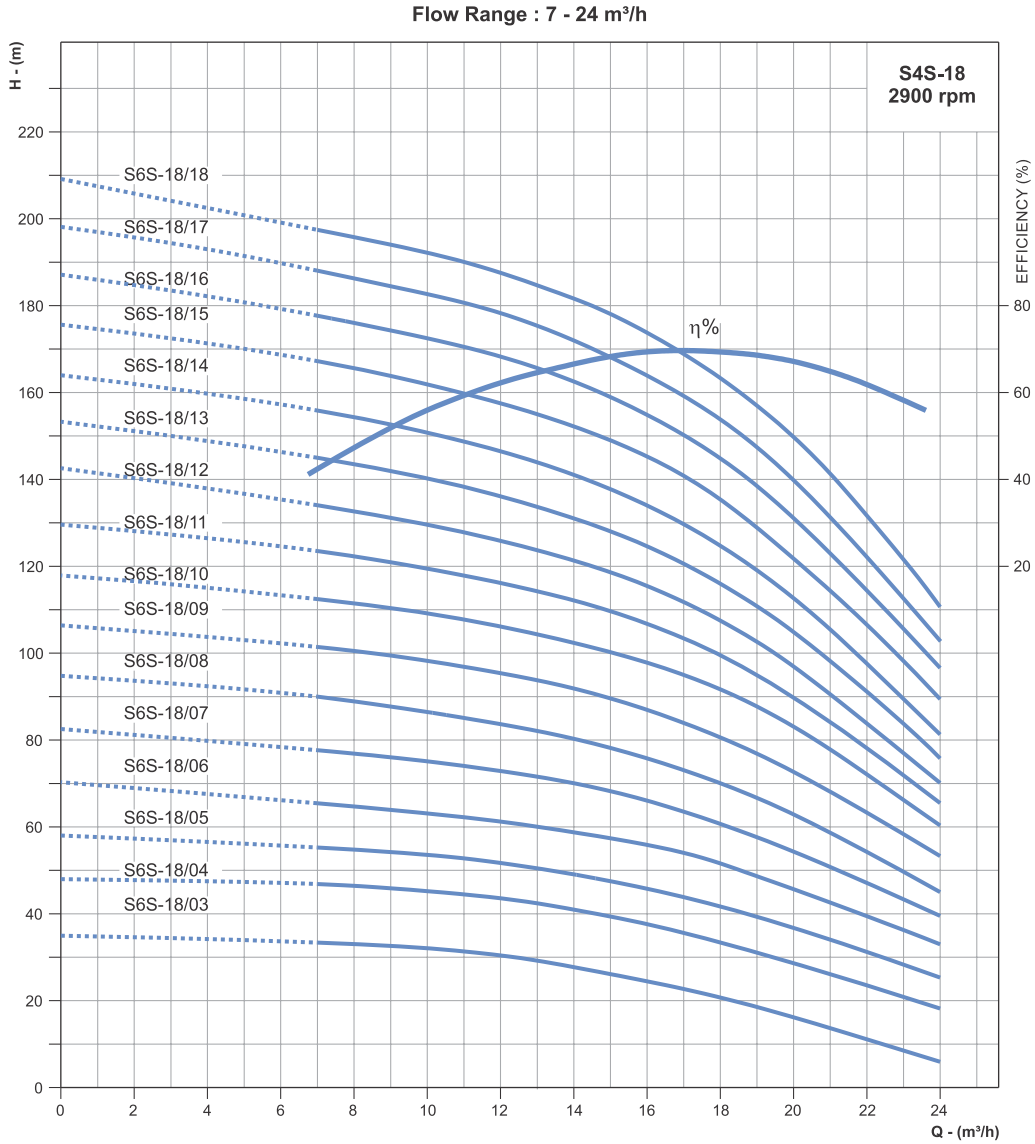
# STAINLESS STEEL SERIES

Nominal Diameter : **6"**

Nominal Flow : **18m<sup>3</sup>/h**

Outlet Size : **2 1/2"**

## Performance Curves



Performance curve tolerances are as per HI : 14.6 / ISO : 9906, Grade 3B.  
In view of continuous developments, the informations / descriptions / specifications / illustrations are subject to change without notice.



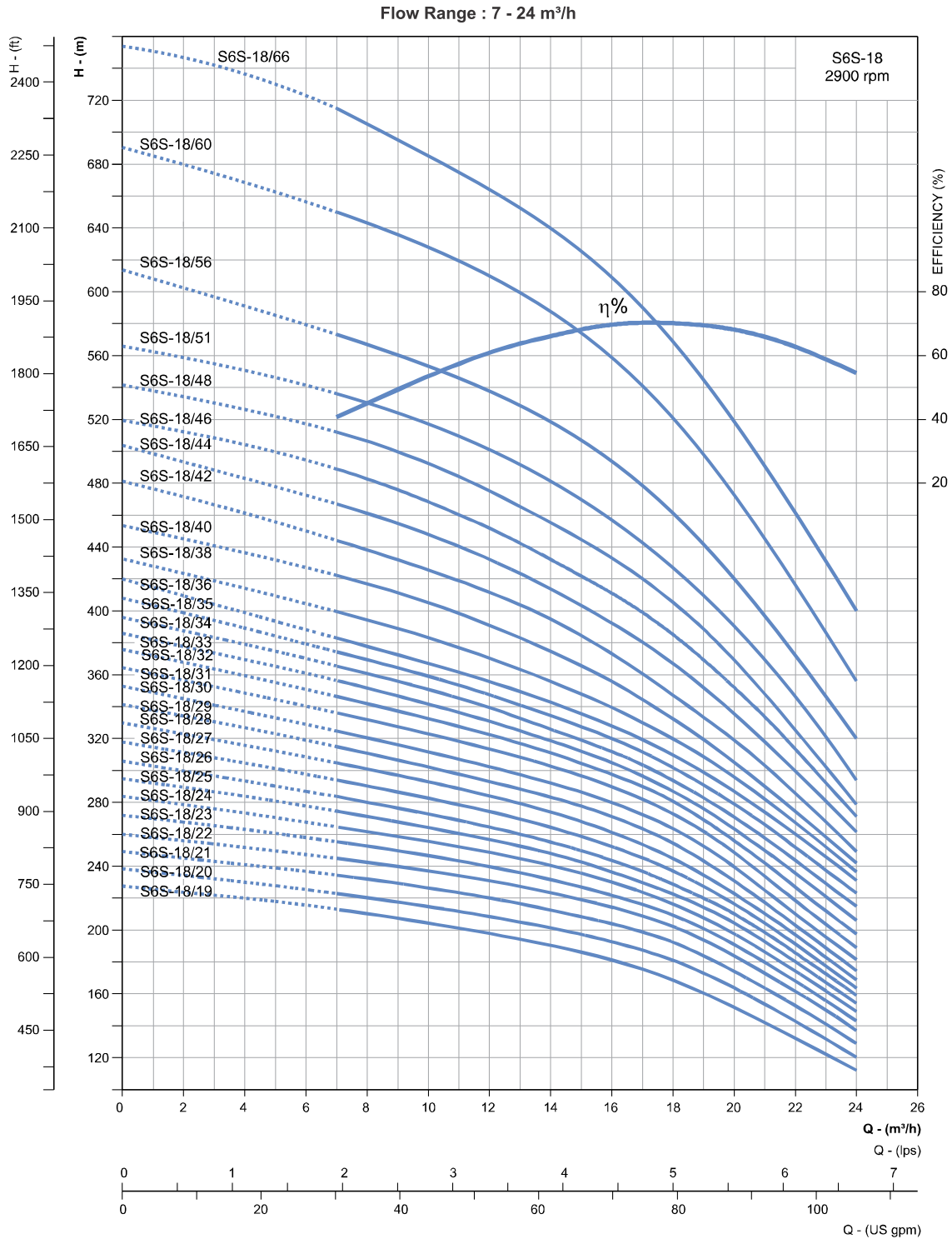
# STAINLESS STEEL SERIES

Nominal Diameter : **6"**

Nominal Flow : **18m<sup>3</sup>/h**

Outlet Size : **2½"**

## Performance Curves



Performance curve tolerances are as per HI : 14.6 / ISO : 9906, Grade 3B.

In view of continuous developments, the informations / descriptions / specifications / illustrations are subject to change without notice.

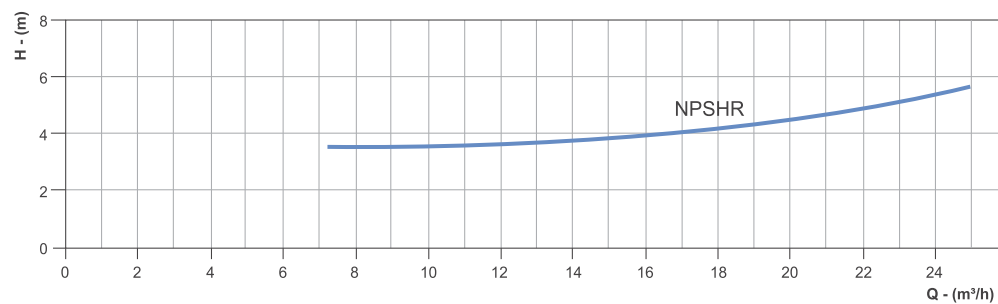
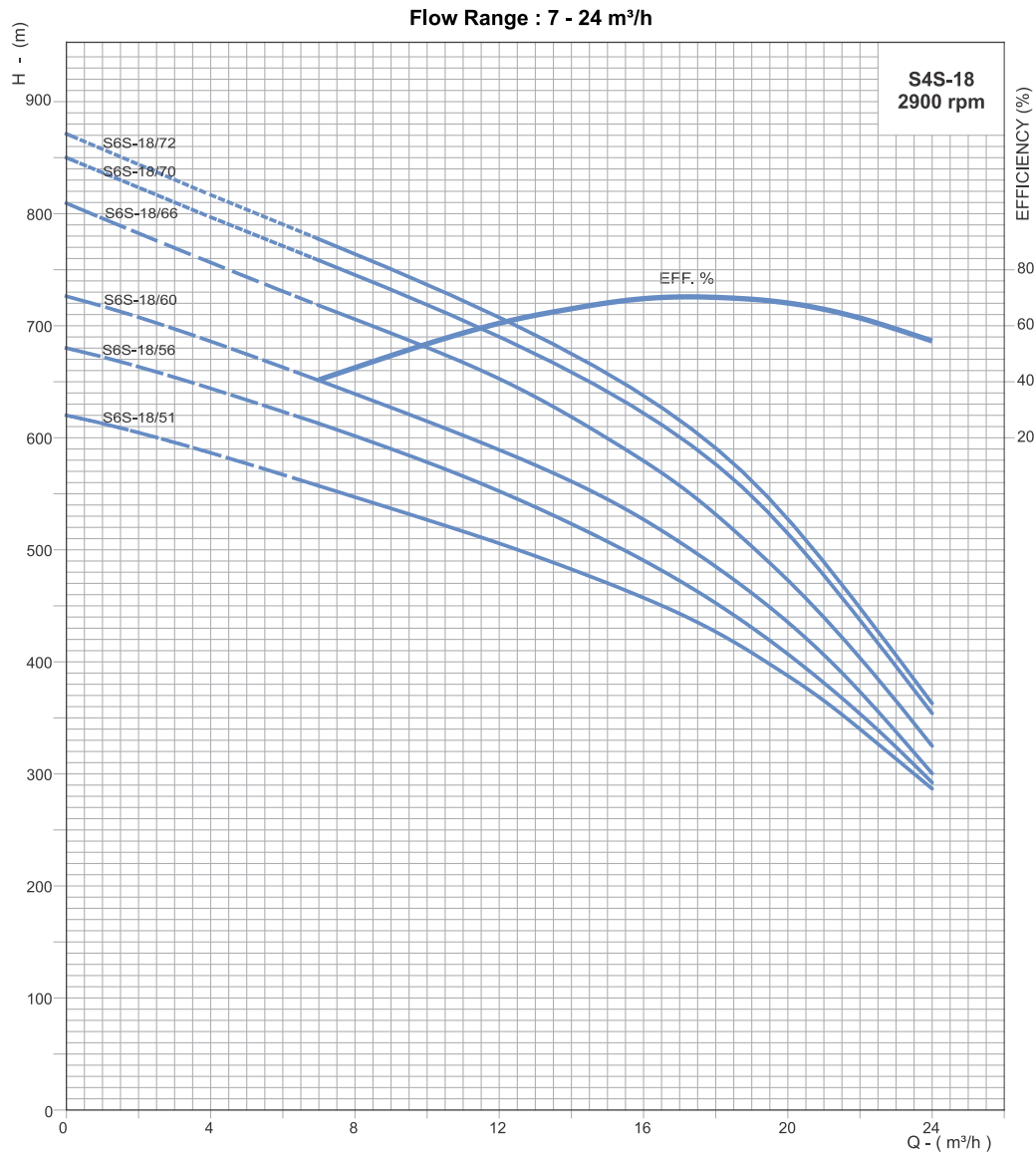
# STAINLESS STEEL SERIES

Nominal Diameter : **6"**

Nominal Flow : **18m<sup>3</sup>/h**

Outlet Size : **2½"**

## Performance Curves



Performance curve tolerances are as per HI : 14.6 / ISO : 9906, Grade 3B.

In view of continuous developments, the informations / descriptions / specifications / illustrations are subject to change without notice.

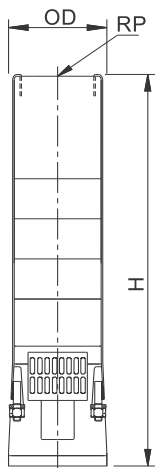
# STAINLESS STEEL SERIES

Nominal Diameter : **6"**

Nominal Flow : **22m<sup>3</sup>/h**

Outlet Size : Standard : **2½"**  
Optional : **3"**

Dimensions & Weight Data



PUMP MODEL	POWER		*NO OF CABLE GUARD	DIMENSIONS (mm)			NET WEIGHT (kg)
	kW	HP		OD	RP	H	
S6S-22/05	4	5.5	1	139	65/80	531	12
S6S-22/06	5.5	7.5	1	139	65/80	578	13
S6S-22/07	7.5	10	1/2	139/143	65/80	625	14
S6S-22/08	7.5	10	1/2	139/143	65/80	672	15
S6S-22/09	9.3	12.5	1/2	139/143	65/80	719	16
S6S-22/10	9.3	12.5	1/2	139/143	65/80	766	17
S6S-22/11	9.3	12.5	1/2	139/143	65/80	813	18
S6S-22/12	11	15	1/2	139/143	65/80	860	19
S6S-22/13	11	15	1/2	139/143	65/80	907	20
S6S-22/14	13	17.5	1/2	139/143	65/80	954	21
S6S-22/15	13	17.5	1/2	139/143	65/80	1001	22
S6S-22/16	13	17.5	1/2	139/143	65/80	1048	23
S6S-22/17	13	17.5	1/2	139/143	65/80	1095	24
S6S-22/18	15	20	1/2	139/143	65/80	1142	25
S6S-22/19	15	20	1/2	139/143	65/80	1189	26
S6S-22/20	18.5	25	1/2	139/143	65/80	1236	27
S6S-22/21	18.5	25	1/2	139/143	65/80	1283	28
S6S-22/22	18.5	25	1/2	139/143	65/80	1330	28
S6S-22/23	18.5	25	1/2	139/143	65/80	1377	29
S6S-22/24	22	30	1/2	139/143	65/80	1424	30
S6S-22/25	22	30	1/2	139/143	65/80	1471	31
S6S-22/26	22	30	1/2	139/143	65/80	1518	32
S6S-22/28	26	35	1/2	139/143	65/80	1612	34
S6S-22/30	26	35	1/2	139/143	65/80	1706	36
S6S-22/32	26	35	1/2	139/143	65/80	1800	38
S6S-22/34	26	35	1/2	139/143	65/80	1894	40
S6S-22/36	30	40	1/2	139/143	65/80	1988	42
S6S-22/38	30	40	1/2	139/143	65/80	2082	44
S6S-22/40	37	50	1/2	139/143	65/80	2176	46
S6S-22/42	37	50	1/2	139/143	65/80	2270	48
S6S-22/44	37	50	1/2	139/143	65/80	2364	50
S6S-22/46	37	50	1/2	139/143	65/80	2458	52
S6S-22/50	45	60	1/2	139/143	65/80	2646	56
S6S-22/60	55	75	1/2	139/143	65	3136	67
S6S-22/65	55	75	1/2	139/143	65	3381	72
S6S-22/72	55	75	1/2	139/143	80	3760	79

\* 1 denotes Single Cable Guard (D.O.L - 3 wire) and 2 denotes Double Cable Guard (S.D - 6 wire). Please specify preference while placing order. In view of continuous developments, the informations / descriptions / specifications / illustrations are subject to change without notice.

# STAINLESS STEEL SERIES

Nominal Diameter : **6"**

Nominal Flow : **22m<sup>3</sup>/h**

Outlet Size : Standard : **2½"**  
Optional : **3"**

**Performance Table**

PUMP MODEL	POWER (kW)	lps	0	2.77	3.3	3.89	4.44	5	5.55	6.11	6.67	7.22	7.77
		m <sup>3</sup> /h	0	10	12	14	16	18	20	22	24	26	28
S6S-22/05	4	HEAD (m)	57	52	50	49	48	46	43	40	35	30	24
S6S-22/06	5.5		69	62	60	58	56	54	49	45	41	35	27
S6S-22/07	7.5		80	71	69	66	64	60	57	52	47	40	32
S6S-22/08	7.5		92	84	81	78	76	72	68	62	55	47	38
S6S-22/09	9.3		100	94	91	89	86	82	77	71	64	55	45
S6S-22/10	9.3		114	104	101	98	95	92	86	79	71	61	50
S6S-22/11	9.3		125	114	110	107	104	100	95	87	78	68	57
S6S-22/12	11		137	126	123	120	116	110	105	95	85	74	62
S6S-22/13	11		150	139	135	131	125	120	113	104	94	81	69
S6S-22/14	13		160	148	145	141	136	130	121	111	100	88	75
S6S-22/15	13		171	159	155	152	147	140	131	121	109	95	80
S6S-22/16	13		182	169	166	162	156	150	140	130	116	101	85
S6S-22/17	13		192	180	175	171	165	158	149	138	125	108	90
S6S-22/18	15		207	190	186	182	176	170	160	147	132	115	95
S6S-22/19	15		218	201	196	192	185	178	169	155	140	120	100
S6S-22/20	18.5		230	212	207	202	195	188	178	165	146	126	106
S6S-22/21	18.5		243	224	219	213	205	198	187	174	155	135	112
S6S-22/22	18.5		254	235	230	224	217	208	195	181	164	142	117
S6S-22/23	18.5		265	246	241	235	226	217	205	189	170	147	121
S6S-22/24	22		277	256	250	244	235	225	214	197	177	154	127
S6S-22/25	22		290	265	260	253	244	234	220	203	183	159	131
S6S-22/26	22		299	277	270	263	254	242	228	210	190	165	137
S6S-22/28	26		314	290	284	275	265	254	238	220	199	174	144
S6S-22/30	26		338	305	298	290	280	269	253	234	210	180	149
S6S-22/32	26		362	329	320	310	300	289	270	250	222	192	160
S6S-22/34	26		382	351	344	333	321	308	289	267	238	205	170
S6S-22/36	30		406	375	364	352	340	326	305	280	250	218	181
S6S-22/38	30		430	395	385	372	360	341	320	293	263	230	192
S6S-22/40	37		455	414	402	390	378	360	339	309	277	240	203
S6S-22/42	37		476	434	423	410	397	378	352	323	290	253	216
S6S-22/44	37		498	454	444	430	415	397	370	340	305	268	228
S6S-22/46	37		535	482	470	458	440	419	390	359	322	280	240
S6S-22/50	45	568	511	499	482	454	440	415	383	349	309	263	
S6S-22/60	55	714	650	630	606	581	552	518	472	416	358	290	
S6S-22/65	55	762	708	690	668	645	618	583	538	480	411	330	
S6S-22/72	55	850	790	765	740	710	680	642	595	535	465	390	

In view of continuous developments, the informations / descriptions / specifications / illustrations are subject to change without notice.

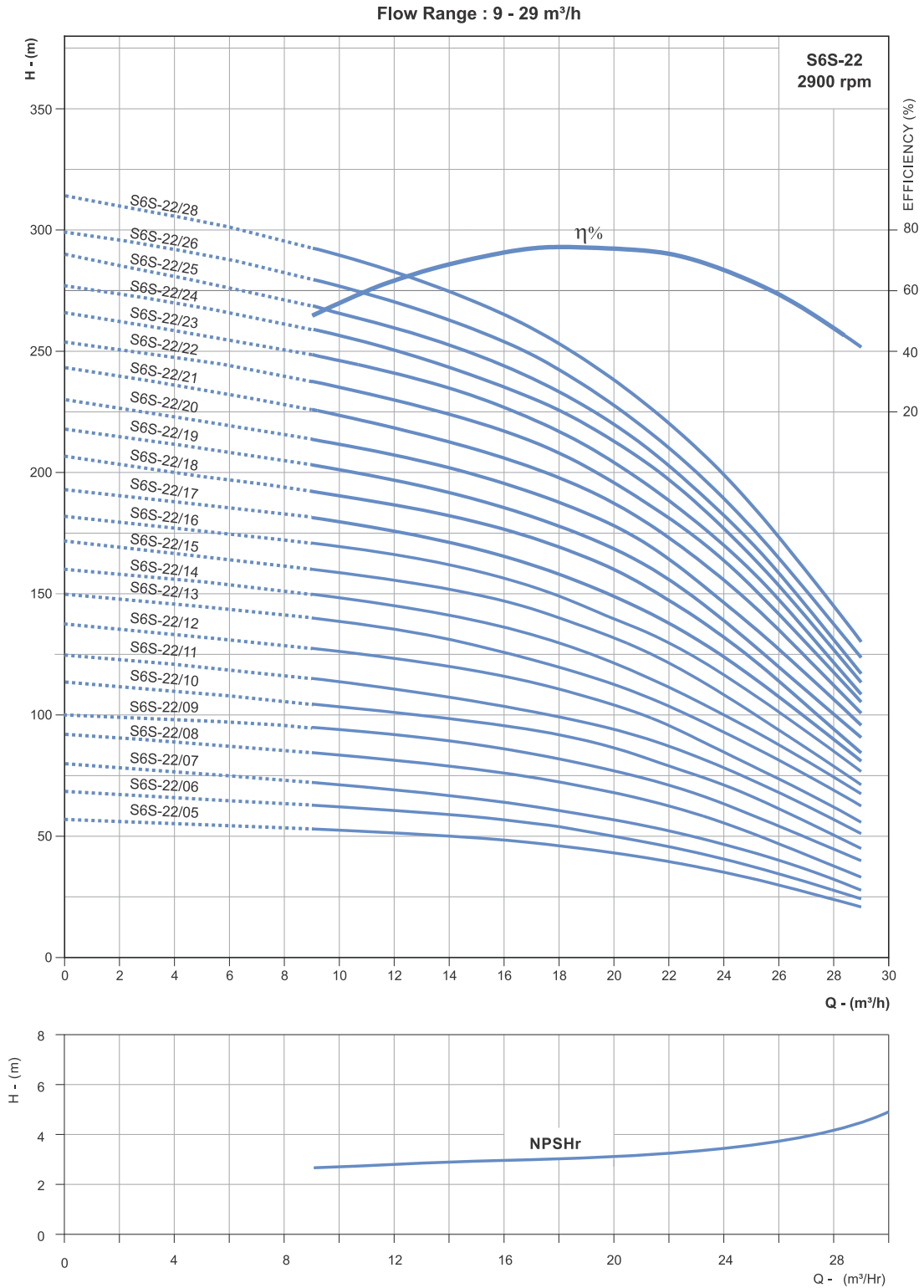
# STAINLESS STEEL SERIES

Nominal Diameter : **6"**

Nominal Flow : **22m<sup>3</sup>/h**

Outlet Size : Standard : **2½"**  
Optional : **3"**

## Performance Curves



Performance curve tolerances are as per HI : 14.6 / ISO : 9906, Grade 3B.  
In view of continuous developments, the informations / descriptions / specifications / illustrations are subject to change without notice.

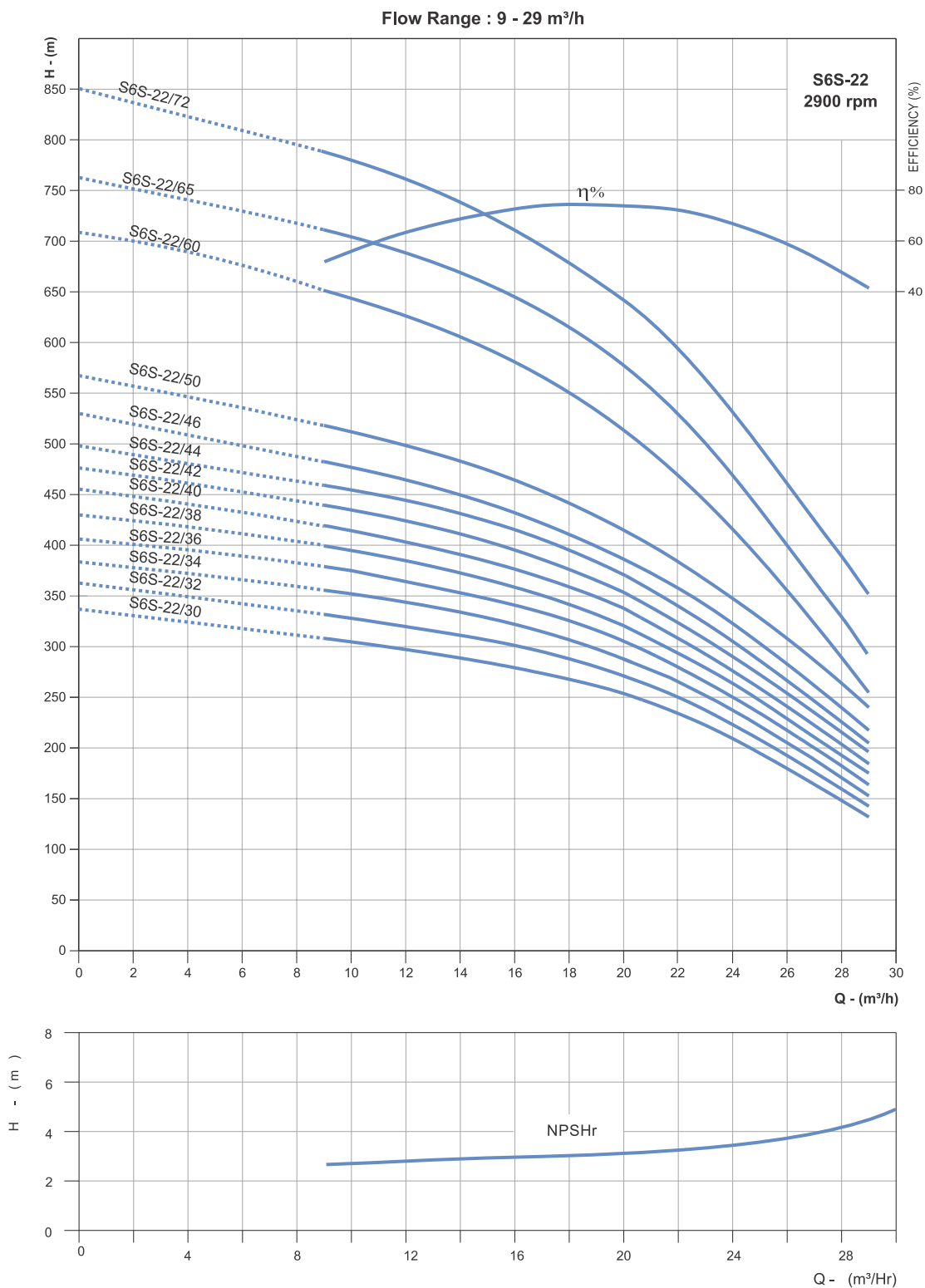
# STAINLESS STEEL SERIES

Nominal Diameter : **6"**

Nominal Flow : **22m<sup>3</sup>/h**

Outlet Size : Standard : **2½"**  
Optional : **3"**

## Performance Curves



Performance curve tolerances are as per HI : 14.6 / ISO : 9906, Grade 3B.  
In view of continuous developments, the informations / descriptions / specifications / illustrations are subject to change without notice.

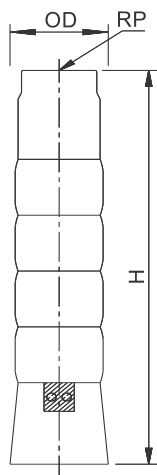
# STAINLESS STEEL SERIES

Nominal Diameter : **6"**

Nominal Flow : **30m<sup>3</sup>/h**

Outlet Size : **3"**

**Dimensions & Weight Data**



PUMP MODEL	POWER		*NO OF CABLE GUARD	DIMENSIONS (mm)			NET WEIGHT (kg)
	kW	HP		OD	RP	H	
S6S-30/01	1.5	2	1	136	80	386	8
S6S-30/02	2.2	3	1	136	80	482	10
S6S-30/03	3	4	1	136	80	578	12
S6S-30/04	4	5.5	1	136	80	674	14
S6S-30/05	5.5	7.5	1/2	136/140	80	770	16
S6S-30/06	5.5	7.5	1/2	136/140	80	866	17
S6S-30/07	7.5	10	1/2	136/140	80	962	19
S6S-30/08	7.5	10	1/2	136/140	80	1058	21
S6S-30/09	9.3	12.5	1/2	136/140	80	1154	23
S6S-30/10	9.3	12.5	1/2	136/140	80	1250	25
S6S-30/11	9.3	12.5	1/2	136/140	80	1346	27
S6S-30/12	11	15	1/2	136/140	80	1442	29
S6S-30/13	11	15	1/2	136/140	80	1538	30
S6S-30/14	13	17.5	1/2	136/140	80	1634	33
S6S-30/15	13	17.5	1/2	136/140	80	1730	34
S6S-30/16	15	20	1/2	136/140	80	1826	36
S6S-30/17	15	20	1/2	136/140	80	1922	38
S6S-30/18	18.5	25	1/2	136/140	80	2018	40
S6S-30/19	18.5	25	1/2	136/140	80	2114	42
S6S-30/20	18.5	25	1/2	136/140	80	2210	44
S6S-30/21	18.5	25	1/2	136/140	80	2306	46
S6S-30/22	22	30	1/2	136/140	80	2402	48
S6S-30/23	22	30	1/2	136/140	80	2498	49
S6S-30/24	22	30	1/2	136/140	80	2594	51
S6S-30/25	22	30	1/2	136/140	80	2690	53
S6S-30/26	22	30	1/2	136/140	80	2786	55
S6S-30/27	26	35	1/2	136/140	80	2882	57
S6S-30/28	26	35	1/2	136/140	80	2978	59

\* 1 denotes Single Cable Guard (D.O.L - 3 wire) and 2 denotes Double Cable Guard (S.D - 6 wire). Please specify preference while placing order. In view of continuous developments, the informations / descriptions / specifications / illustrations are subject to change without notice.

## STAINLESS STEEL SERIES

Nominal Diameter : **6"**Nominal Flow : **30m<sup>3</sup>/h**Outlet Size : **3"**

## Performance Table

PUMP MODEL	POWER (kW)	lps	0	2.22	3.33	4.44	5.55	6.60	7.22	8.33	8.90	9.40	10
		m <sup>3</sup> /h	0	8	12	16	20	24	26	30	32	34	36
S6S-30/01	1.5	HEAD (m)	11	10.5	10	9	8	7	6.5	6	5	4	3.5
S6S-30/02	2.2		24	22.8	22	21	20	18.5	17.9	15.9	14	13	11
S6S-30/03	3		36.5	34	33	31.8	30	28.5	27.8	24.5	22.8	20.5	18
S6S-30/04	4		47	44	43	41.8	39.8	37	35.8	32.5	30	27	24
S6S-30/05	5.5		58.5	55	53.8	51.8	49	46.5	45	40	37	34	31
S6S-30/06	5.5		70.5	67	65	62	59	55.8	53.5	48	45	42	38
S6S-30/07	7.5		82	78	76	73	69	65	62	56	52	48.5	45
S6S-30/08	7.5		92.5	88	86	83	79	74	71	63.5	59	54.5	50
S6S-30/09	9.3		105	100	97	94	89	83	80	72	67	62	57
S6S-30/10	9.3		117	111	108	104	99	93	89.5	81	75.5	70	63
S6S-30/11	9.3		127	121	117	113	108.5	102	98	89.5	84	78	71
S6S-30/12	11		137	131	127	122.5	117	111	107	98	91.5	85	77
S6S-30/13	11		148	142	137	132	127	119	115	106	100	92	83
S6S-30/14	13		160	152	148	142	136	128	124	112	105	97	88
S6S-30/15	13		172	163	157	152	145	136	132	120	114	104	94
S6S-30/16	15		184	175	169	164	156	148	143	130	121	112	102
S6S-30/17	15		196	186	180	174	168	158	152	139	130	120	110
S6S-30/18	18.5		208	198	192	185	177	166	160	146	137	127	116
S6S-30/19	18.5		220	210	203	196	187	175	168	154	144	134	122
S6S-30/20	18.5		232	218	211	204	196	184	177	162	152	140	128
S6S-30/21	18.5		242	230	223	215	206	193	185	168	157	146	134
S6S-30/22	22		252	240	234	226	216	202	194	175	164	152	139
S6S-30/23	22		262	249	242	232	222	208	200	180	169	156	143
S6S-30/24	22		272	257	248	240	228	215	207	188	175	160	146
S6S-30/25	22		282	267	258	248	236	222	213	193	180	165	150
S6S-30/26	22		292	277	268	259	246	230	220	199	185	170	154
S6S-30/27	26		304	288	280	268	254	237	228	204	191	176	160
S6S-30/28	26		315	302	292	279	264	246	235	212	198	182	166



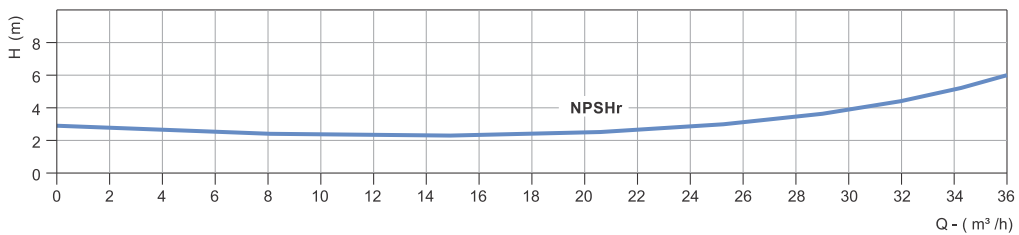
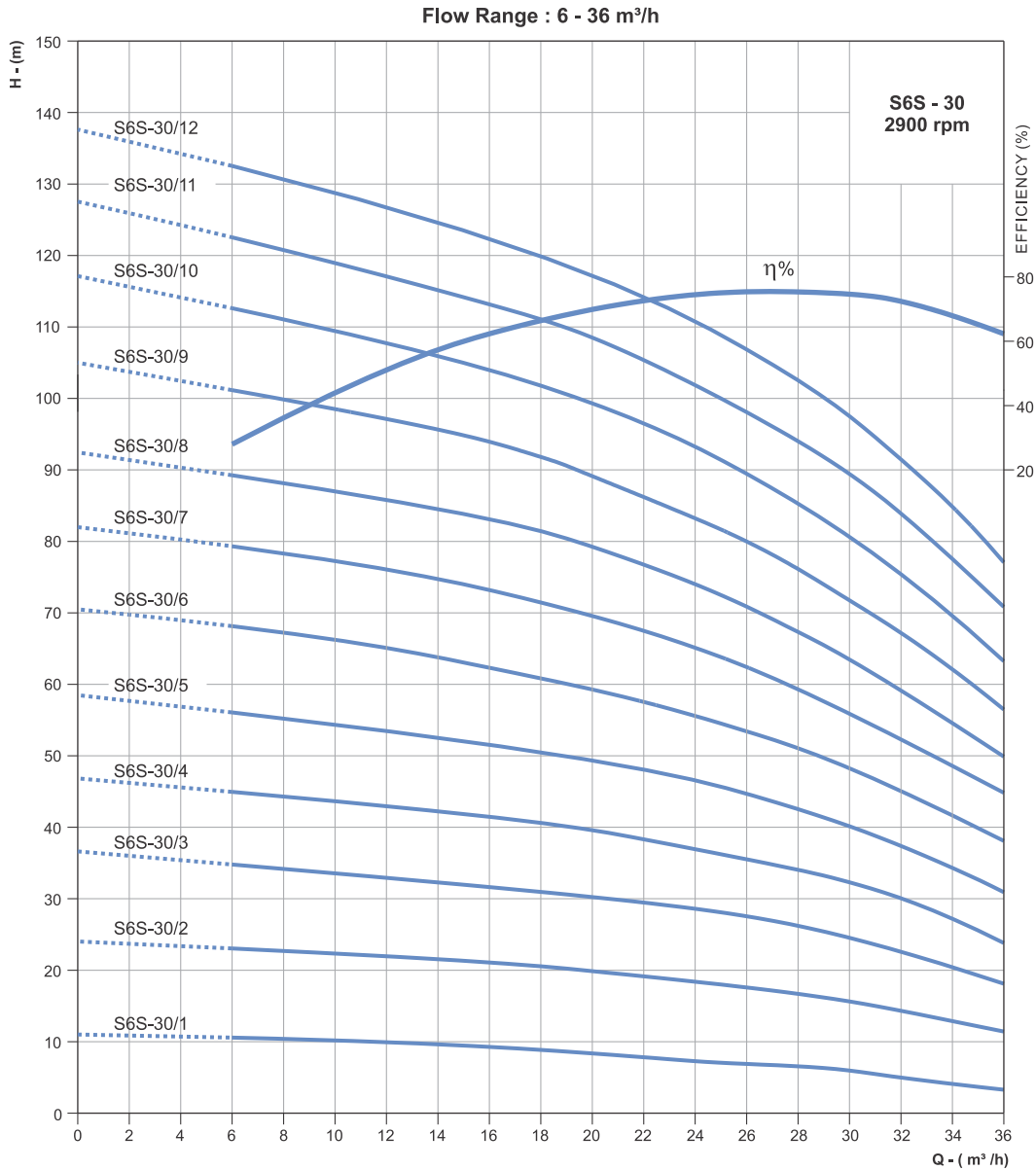
# STAINLESS STEEL SERIES

Nominal Diameter : **6"**

Nominal Flow : **30m<sup>3</sup>/h**

Outlet Size : **3"**

## Performance Curves



Performance curve tolerances are as per HI : 14.6 / ISO : 9906, Grade 3B.  
In view of continuous developments, the informations / descriptions / specifications / illustrations are subject to change without notice.

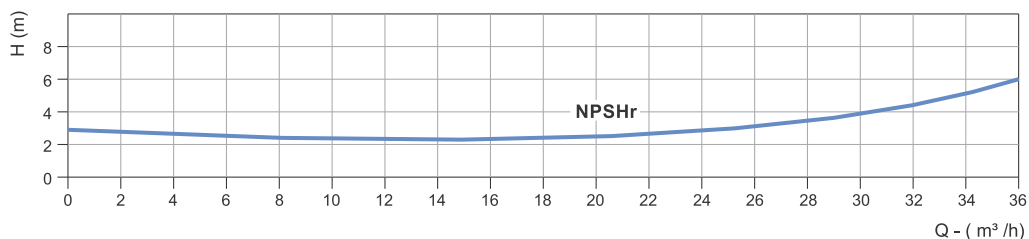
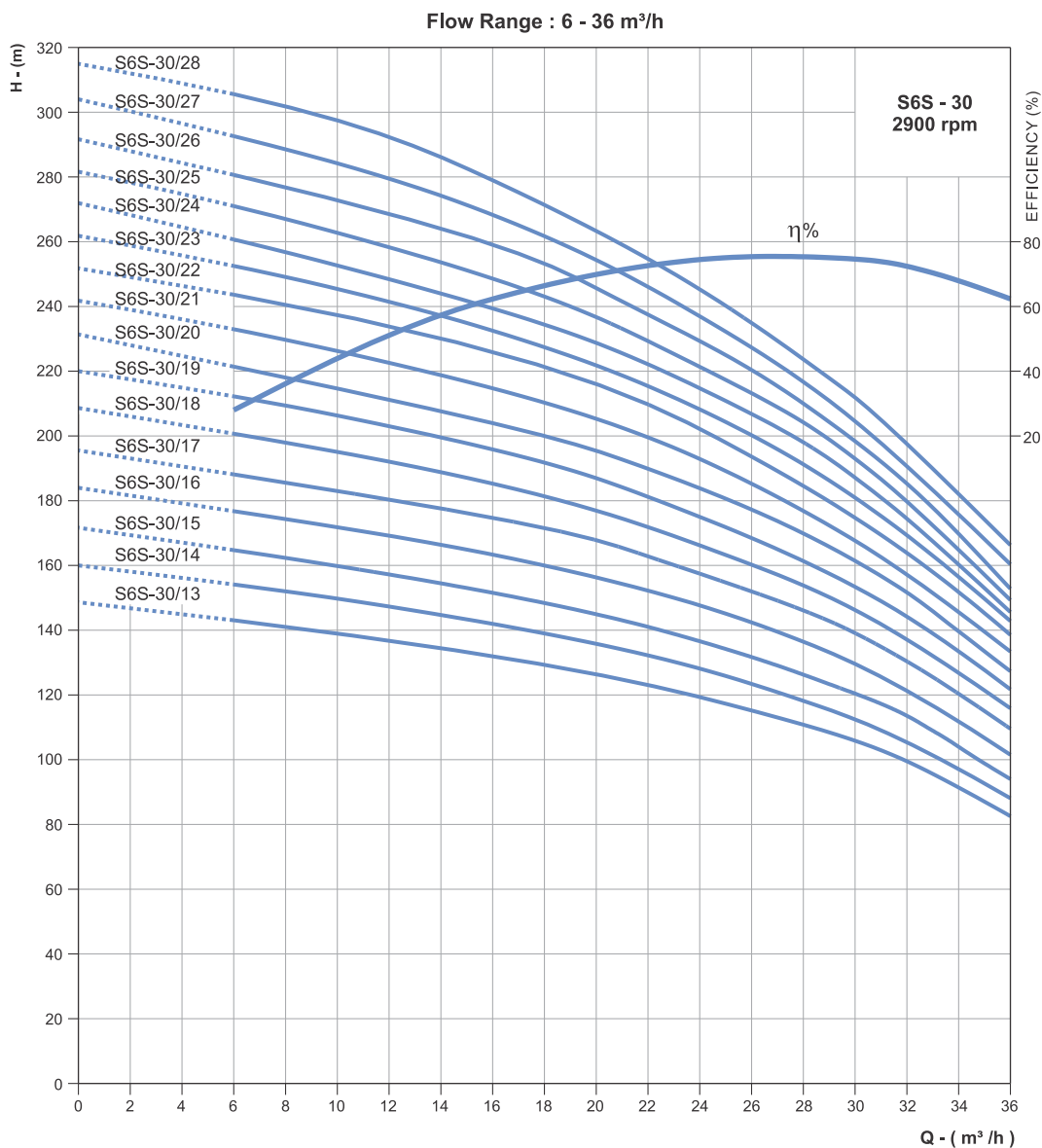
# STAINLESS STEEL SERIES

Nominal Diameter : **6"**

Nominal Flow : **30m<sup>3</sup>/h**

Outlet Size : **3"**

## Performance Curves



Performance curve tolerances are as per HI : 14.6 / ISO : 9906, Grade 3B.  
In view of continuous developments, the informations / descriptions / specifications / illustrations are subject to change without notice.

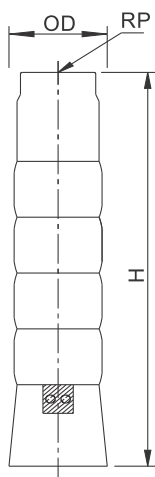
# STAINLESS STEEL SERIES

Nominal Diameter : **6"**

Nominal Flow : **30m<sup>3</sup>/h**

Outlet Size : **3"**

### Dimensions & Weight Data



PUMP MODEL	POWER		*NO OF CABLE GUARD	DIMENSIONS (mm)			NET WEIGHT (kg)
	kW	HP		OD	RP	H	
S6S-30/29	26	35	1/2	136/140	80	3074	61
S6S-30/31	26	35	1/2	136/140	80	3266	65
S6S-30/32	30	40	1/2	136/140	80	3362	67
S6S-30/34	30	40	1/2	136/140	80	3554	70
S6S-30/35	30	40	1/2	136/140	80	3650	72
S6S-30/38	37	50	1/2	136/140	80	3938	78
S6S-30/40	37	50	1/2	136/140	80	4130	82
S6S-30/43	37	50	1/2	136/140	80	4418	87
S6S-30/46	45	60	1/2	136/140	80	4706	93
S6S-30/49	45	60	1/2	136/140	80	4994	98
S6S-30/52	55	75	1/2	136/140	80	5282	106
S6S-30/54	55	75	1/2	136/140	80	5474	112
S6S-30/72	75	100	1/2	136/140	80	7299	150

### Performance Table

PUMP MODEL	POWER (kW)	lps	0	2.22	3.33	4.44	5.55	6.60	7.22	8.33	8.90	9.40	10
		m <sup>3</sup> /h	0	8	12	16	20	24	26	30	32	34	36
S6S-30/29	26	HEAD (m)	330	323	307	287	270	250	240	214	198	183	175
S6S-30/31	26		356	343	328	312	293	273	262	233	215	200	190
S6S-30/32	30		366	355	338	322	304	283	272	245	225	207	200
S6S-30/34	30		388	375	357	340	320	298	286	255	234	210	207
S6S-30/35	30		400	387	370	350	331	307	293	263	244	222	217
S6S-30/38	37		420	417	405	385	363	336	320	290	263	247	232
S6S-30/40	37		446	437	423	401	382	357	341	304	280	260	245
S6S-30/43	37		489	477	453	430	412	381	365	326	300	276	261
S6S-30/46	45		535	515	492	467	445	415	397	352	323	300	286
S6S-30/49	45		568	550	527	501	477	447	430	384	352	325	308
S6S-30/52	55		600	587	562	535	507	473	455	409	375	346	327
S6S-30/54	55		620	607	581	553	525	492	474	426	390	360	338
S6S-30/72	75		870	793	778	739	705	658	608	583	548	500	459

\* 1 denotes Single Cable Guard (D.O.L - 3 wire) and 2 denotes Double Cable Guard (S.D - 6 wire). Please specify preference while placing order. In view of continuous developments, the informations / descriptions / specifications / illustrations are subject to change without notice.

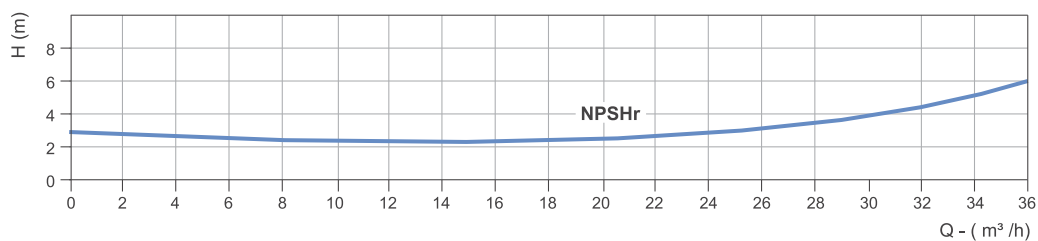
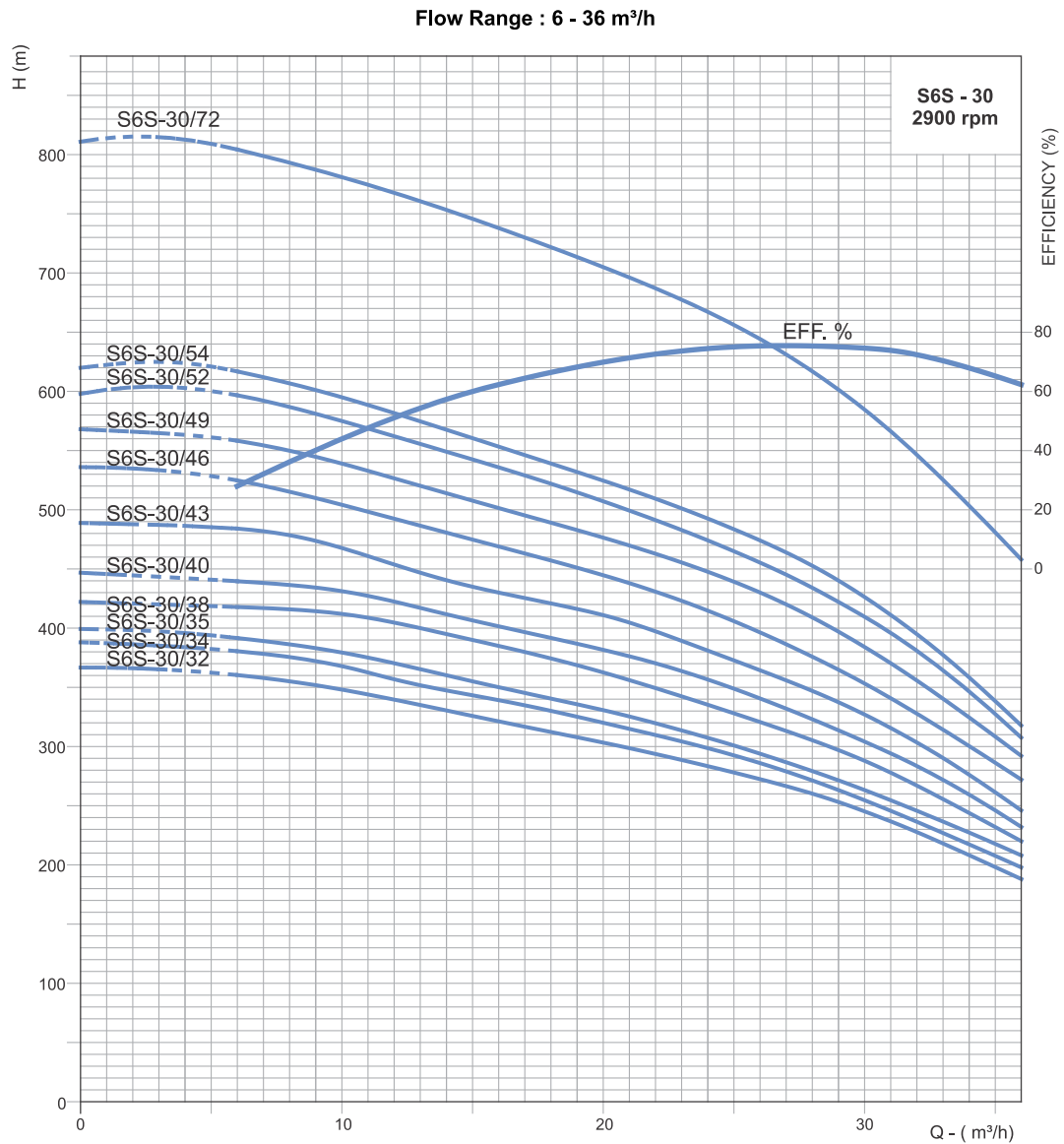
# STAINLESS STEEL SERIES

Nominal Diameter : **6"**

Nominal Flow : **30m<sup>3</sup>/h**

Outlet Size : **3"**

## Performance Curves



Performance curve tolerances are as per HI : 14.6 / ISO : 9906, Grade 3B.

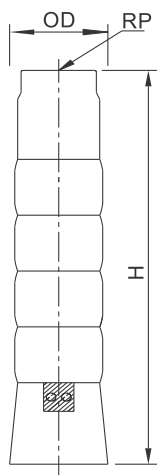
In view of continuous developments, the informations / descriptions / specifications / illustrations are subject to change without notice.

# STAINLESS STEEL SERIES

Nominal Diameter : **6"**

Nominal Flow : **48m<sup>3</sup>/h**

Outlet Size : Standard : **3"**  
Optional : **4"**



Dimensions & Weight Data

PUMP MODEL	POWER		*NO OF CABLE GUARD	DIMENSIONS (mm)			NET WEIGHT (kg)
	kW	HP		OD	RP	H	
S6S-48/01	2.2	3	1	145	80/100	403	9
S6S-48/02	3	4	1	145	80/100	516	11
S6S-48/03	5.5	7.5	1/2	145/149	80/100	629	13
S6S-48/04	7.5	10	1/2	145/149	80/100	742	16
S6S-48/05	7.5	10	1/2	145/149	80/100	855	18
S6S-48/06	9.3	12.5	1/2	145/149	80/100	968	20
S6S-48/07	11	15	1/2	145/149	80/100	1081	22
S6S-48/08	13	17.5	1/2	145/149	80/100	1194	25
S6S-48/09	15	20	1/2	145/149	80/100	1307	27
S6S-48/10	15	20	1/2	145/149	80/100	1420	29
S6S-48/11	18.5	25	1/2	145/149	80/100	1533	32
S6S-48/12	18.5	25	1/2	145/149	80/100	1646	34
S6S-48/13	22	30	1/2	145/149	80/100	1759	36
S6S-48/14	22	30	1/2	145/149	80/100	1872	38
S6S-48/15	22	30	1/2	145/149	80/100	1985	41
S6S-48/16	26	35	1/2	145/149	80/100	2098	43
S6S-48/17	26	35	1/2	145/149	80/100	2211	45
S6S-48/18	30	40	1/2	145/149	80/100	2324	48
S6S-48/19	30	40	1/2	145/149	80/100	2437	50
S6S-48/20	30	40	1/2	145/149	80/100	2550	52
S6S-48/21	37	50	1/2	145/149	80/100	2663	54
S6S-48/22	37	50	1/2	145/149	80/100	2776	57
S6S-48/23	37	50	1/2	145/149	80/100	2889	59
S6S-48/24	37	50	1/2	145/149	80/100	3002	61
S6S-48/26	45	60	1/2	145/149	80/100	3228	66
S6S-48/28	45	60	1/2	145/149	80/100	3454	70
S6S-48/30	45	60	1/2	145/149	80/100	3680	75
S6S-48/33	55	75	1/2	145/149	80/100	4019	84
S6S-48/35	55	75	1/2	145/149	80/100	4245	89
S6S-48/37	63	85	1/2	145/149	80/100	4471	93

\* 1 denotes Single Cable Guard (D.O.L - 3 wire) and 2 denotes Double Cable Guard (S.D - 6 wire). Please specify preference while placing order. In view of continuous developments, the informations / descriptions / specifications / illustrations are subject to change without notice.

## STAINLESS STEEL SERIES

Nominal Diameter : **6"**Nominal Flow : **48m<sup>3</sup>/h**Outlet Size : Standard : **3"**  
Optional : **4"**

## Performance Table

PUMP MODEL	POWER (kW)	lps	0	2.78	5.56	8.34	11.12	12.2	13.4	13.9	15.6	16.68
		m <sup>3</sup> /h	0	10	20	30	40	44	48	50	56	60
S6S-48/01	2.2	HEAD (m)	13.5	13	12	10.5	9	8	7	6.8	5	3.8
S6S-48/02	3		26.8	25.5	23.5	21	18	16.5	15	14	11	8.5
S6S-48/03	5.5		40.8	39	36	32.5	28.5	26	24	23	18	14.5
S6S-48/04	7.5		54.2	52	48.2	43.8	38	35.5	32	30.8	24	20
S6S-48/05	7.5		67	64	59.5	53.8	47	44	40	37.8	30	24
S6S-48/06	9.3		80.5	77	71.5	65	56.5	52	48	45.5	36	29.8
S6S-48/07	11		94	90	84	75.8	66.2	62	56	53.5	42.5	35
S6S-48/08	13		108	103	96	87.3	76.5	71	65	61.8	50	41
S6S-48/09	15		121	116	108	98.2	86.2	80	74	69.8	56	46
S6S-48/10	15		134	128	119	108	95	88	80	76	61	51
S6S-48/11	18.5		148	142	133	120	105.5	98.5	90	85.8	68	56
S6S-48/12	18.5		161	154	144	130	114	106	98	92.2	74	62
S6S-48/13	22		176	168	157.5	143.5	125.8	117.5	108	102	82	67.5
S6S-48/14	22		188	179	168	153	135	130	115	109	89	72
S6S-48/15	22		201	192	178	163	143	132	121	115	94	76
S6S-48/16	26		216	207	193	175	154	144	131	125	100	84
S6S-48/17	26		228	219	204	186	162	151	139	132	109	88
S6S-48/18	30		243	233	217	197	174	161	149	141	116	95
S6S-48/19	30		256	245	228	206	182	170	155	148	120	99
S6S-48/20	30		268	256	240	217	191	179	163	154	125	103
S6S-48/21	37		284	273	255	233	205	181	176	167	136	113
S6S-48/22	37		297	285	266	243	214	200	182	174	140	117
S6S-48/23	37		310	297	278	253	222	207	190	180	148	121
S6S-48/24	37		323	310	289	263	231	216	199	188	152	124
S6S-48/26	45		357	343	323	295	261	245	226	215	179	148
S6S-48/28	45		383	367	345	316	280	261	240	229	190	159
S6S-48/30	45		407	390	366	335	295	276	251	240	199	164
S6S-48/33	55		450	433	405	370	328	308	281	268	220	184
S6S-48/35	55		476	456	428	392	347	325	299	283	231	193
S6S-48/37	63		505	484	454	416	368	345	319	301	249	207

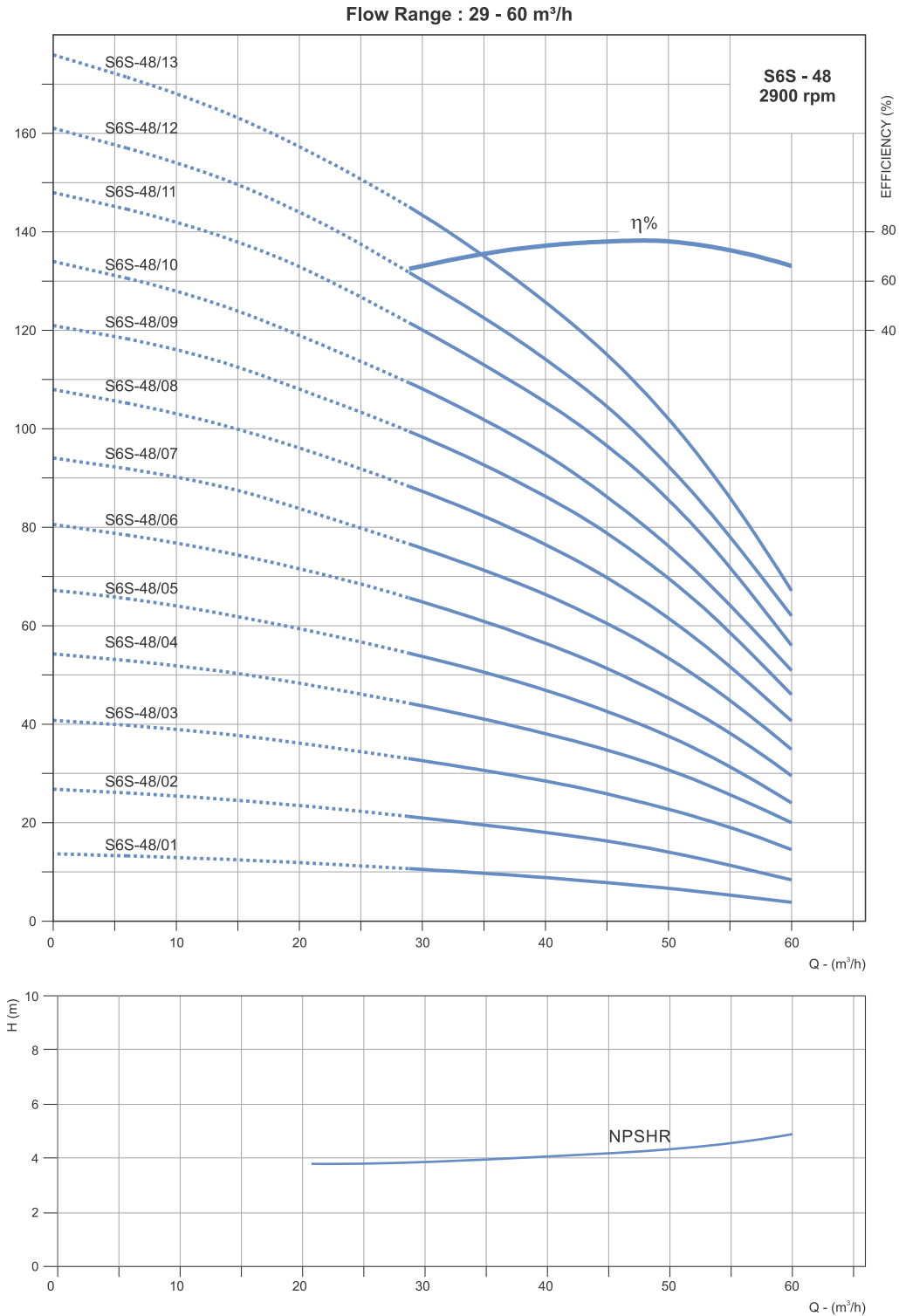
# STAINLESS STEEL SERIES

Nominal Diameter : **6"**

Nominal Flow : **48m<sup>3</sup>/h**

Outlet Size : Standard : **3"**  
Optional : **4"**

## Performance Curves



Performance curve tolerances are as per HI : 14.6 / ISO : 9906, Grade 3B.

In view of continuous developments, the informations / descriptions / specifications / illustrations are subject to change without notice.

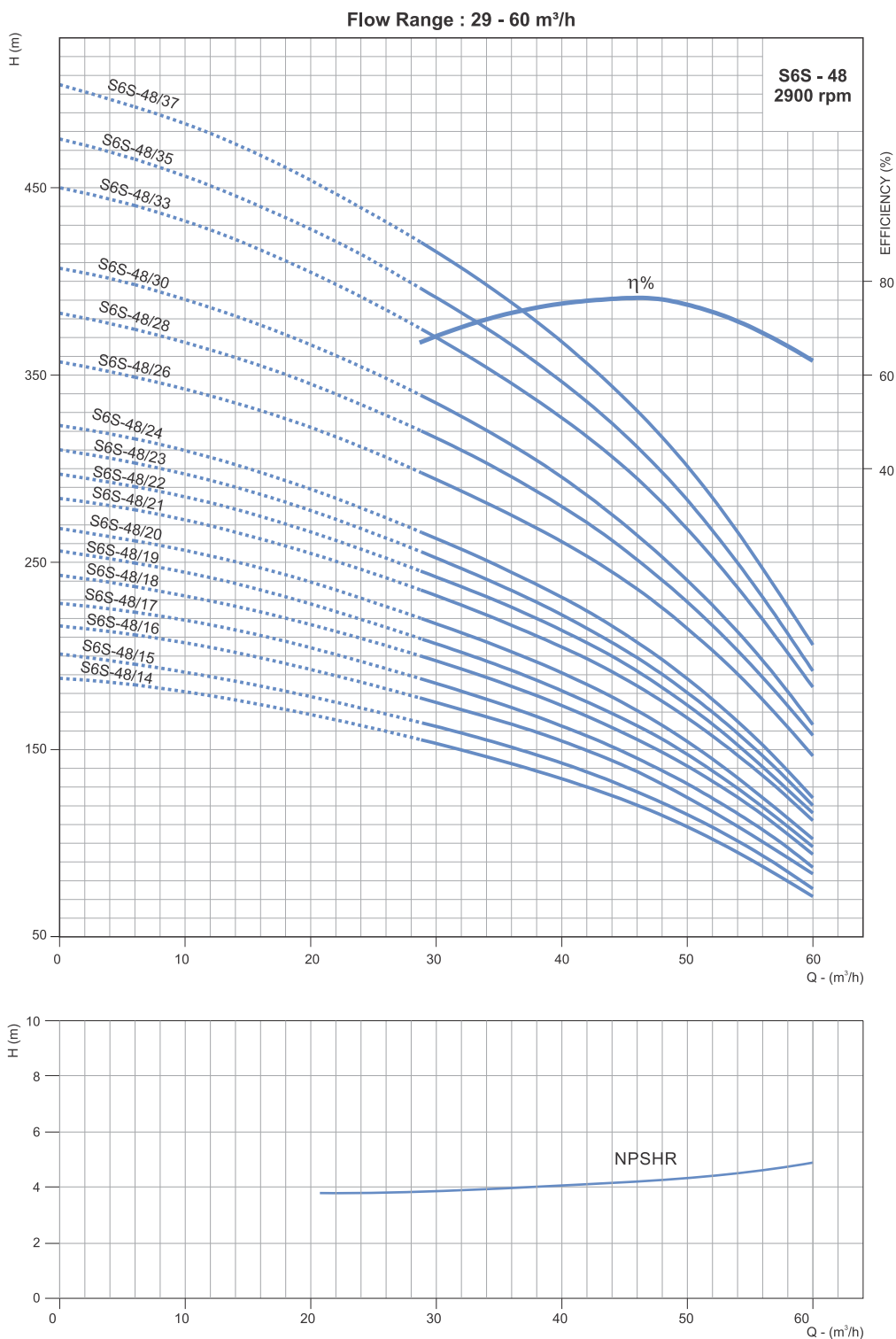
# STAINLESS STEEL SERIES

Nominal Diameter : **6"**

Nominal Flow : **48m<sup>3</sup>/h**

Outlet Size : Standard : **3"**  
Optional : **4"**

## Performance Curves



Performance curve tolerances are as per HI : 14.6 / ISO : 9906, Grade 3B.

In view of continuous developments, the informations / descriptions / specifications / illustrations are subject to change without notice.



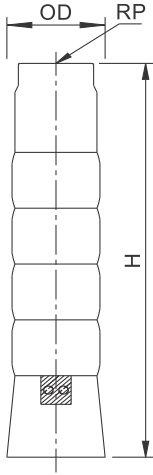
# STAINLESS STEEL SERIES

Nominal Diameter : **6"**

Nominal Flow : **60m<sup>3</sup>/h**

Outlet Size : Standard : **3"**  
Optional : **4"**

### Dimensions & Weight Data



PUMP MODEL	POWER		*NO OF CABLE GUARD	DIMENSIONS (mm)			NET WEIGHT (kg)
	kW	HP		OD	RP	H	
S6S-60/01	2.2	3	1	145	80/100		6
S6S-60/02	4	5.5	1	145	80/100	516	11
S6S-60/03	5.5	7.5	1/2	145/149	80/100	629	13
S6S-60/04	7.5	10	1/2	145/149	80/100	742	16
S6S-60/05	9.3	12.5	1/2	145/149	80/100	855	18
S6S-60/06	11	15	1/2	145/149	80/100	968	21
S6S-60/07	13	17.5	1/2	145/149	80/100	1081	23
S6S-60/08	15	20	1/2	145/149	80/100	1194	25
S6S-60/09	18.5	25	1/2	145/149	80/100	1307	28
S6S-60/10	18.5	25	1/2	145/149	80/100	1420	30
S6S-60/11	22	30	1/2	145/149	80/100	1533	32
S6S-60/12	22	30	1/2	145/149	80/100	1646	35
S6S-60/13	26	35	1/2	145/149	80/100	1759	37
S6S-60/14	26	35	1/2	145/149	80/100	1872	39
S6S-60/15	26	35	1/2	145/149	80/100	1985	42
S6S-60/16	30	40	1/2	145/149	80/100	2098	44
S6S-60/17	30	40	1/2	145/149	80/100	2211	46
S6S-60/18	37	50	1/2	145/149	80/100	2324	49
S6S-60/19	37	50	1/2	145/149	80/100	2437	51
S6S-60/20	37	50	1/2	145/149	80/100	2550	53
S6S-60/21	37	50	1/2	145/149	80/100	2663	56
S6S-60/22	45	60	1/2	145/149	80/100	2776	58
S6S-60/24	45	60	1/2	145/149	80/100	3002	63
S6S-60/26	55	75	1/2	145/149	80/100	3228	70
S6S-60/28	55	75	1/2	145/149	80/100	3454	74
S6S-60/30	55	75	1/2	145/149	80/100	3680	79

\* 1 denotes Single Cable Guard (D.O.L - 3 wire) and 2 denotes Double Cable Guard (S.D - 6 wire). Please specify preference while placing order.  
In view of continuous developments, the informations / descriptions / specifications / illustrations are subject to change without notice.

# STAINLESS STEEL SERIES

Nominal Diameter : **6"**Nominal Flow : **60m<sup>3</sup>/h**Outlet Size : Standard : **3"**  
Optional : **4"**

## Performance Table

PUMP MODEL	POWER (kW)	lps	0	4.16	5.55	8.33	11.11	13.88	16.66	19.44	22.22
		m <sup>3</sup> /h	0	15	20	30	40	50	60	70	80
S6S-60/01	2.2	HEAD (m)	14	13	12	11	9	7	5	3	1
S6S-60/02	4		26	25	24	23	20	17	14	10	5
S6S-60/03	5.5		39	38	37	35	32	27	22	15	9
S6S-60/04	7.5		52	51	50	47	42	37	31	22	13
S6S-60/05	9.3		67	64	63	59	53	45	37	28	16
S6S-60/06	11		82	78	76	71	63	56	47	35	21
S6S-60/07	13		94	91	89	83	73	66	55	41	24
S6S-60/08	15		110	104	102	97	87	76	65	48	30
S6S-60/09	18.5		122	114	112	106	95	84	70	54	33
S6S-60/10	18.5		138	133	128	118	105	92	76	57	35
S6S-60/11	22		148	142	138	128	114	101	86	65	40
S6S-60/12	22		167	156	152	141	124	109	92	69	43
S6S-60/13	26		180	170	165	153	137	120	100	75	45
S6S-60/14	26		195	184	179	164	144	128	110	83	48
S6S-60/15	26		212	198	194	177	157	137	117	85	52
S6S-60/16	30		220	213	207	188	167	147	127	89	57
S6S-60/17	30		242	227	222	205	183	160	138	107	63
S6S-60/18	37		252	240	233	212	189	176	142	112	67
S6S-60/19	37		270	254	248	231	206	181	152	116	74
S6S-60/20	37		282	276	267	259	216	189	162	126	80
S6S-60/21	37		300	288	281	254	223	195	165	126	77
S6S-60/22	45		318	306	298	270	238	207	176	138	84
S6S-60/24	45		339	324	314	285	251	218	186	144	90
S6S-60/26	55		370	354	344	312	275	239	204	156	96
S6S-60/28	55		396	378	367	332	293	255	216	161	101
S6S-60/30	55		420	402	390	354	312	270	228	176	107

Performance curve tolerances are as per HI : 14.6 / ISO : 9906, Grade 3B.

In view of continuous developments, the informations / descriptions / specifications / illustrations are subject to change without notice.

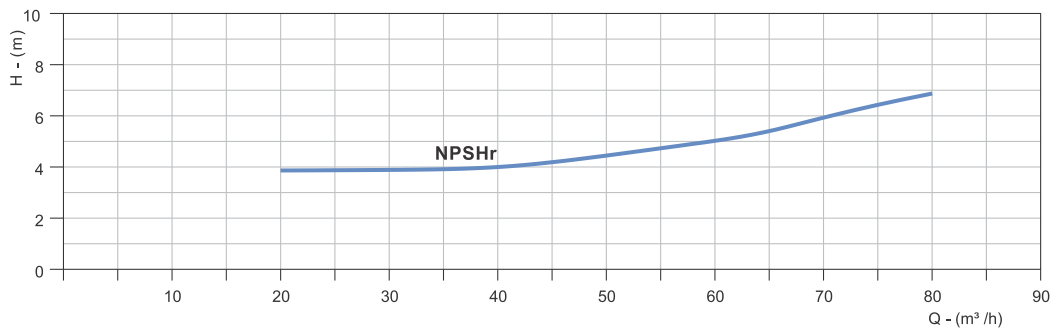
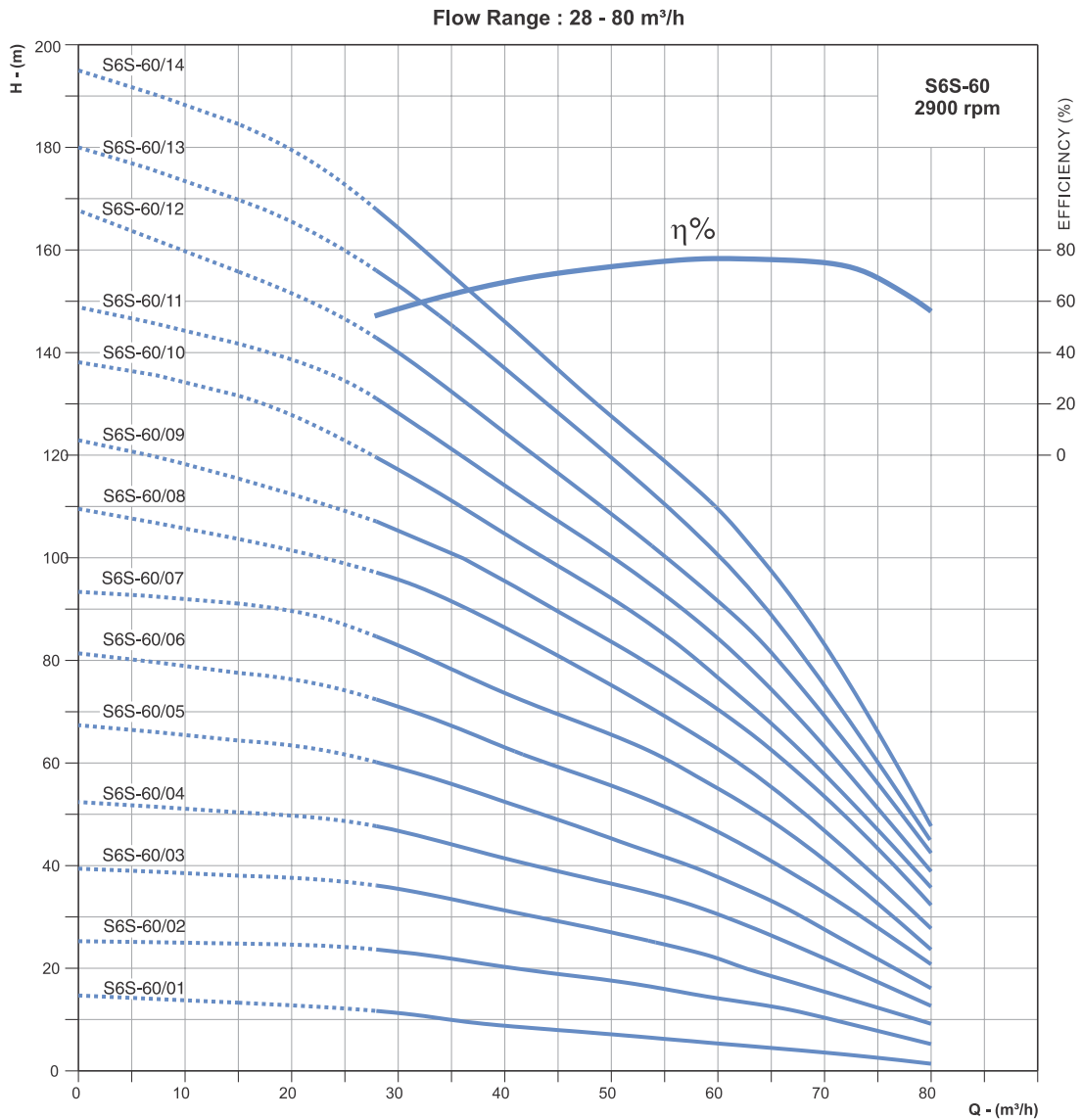
# STAINLESS STEEL SERIES

Nominal Diameter : **6"**

Nominal Flow : **60m<sup>3</sup>/h**

Outlet Size : Standard : **3"**  
Optional : **4"**

## Performance Curves



Performance curve tolerances are as per HI : 14.6 / ISO : 9906, Grade 3B.

In view of continuous developments, the informations / descriptions / specifications / illustrations are subject to change without notice.

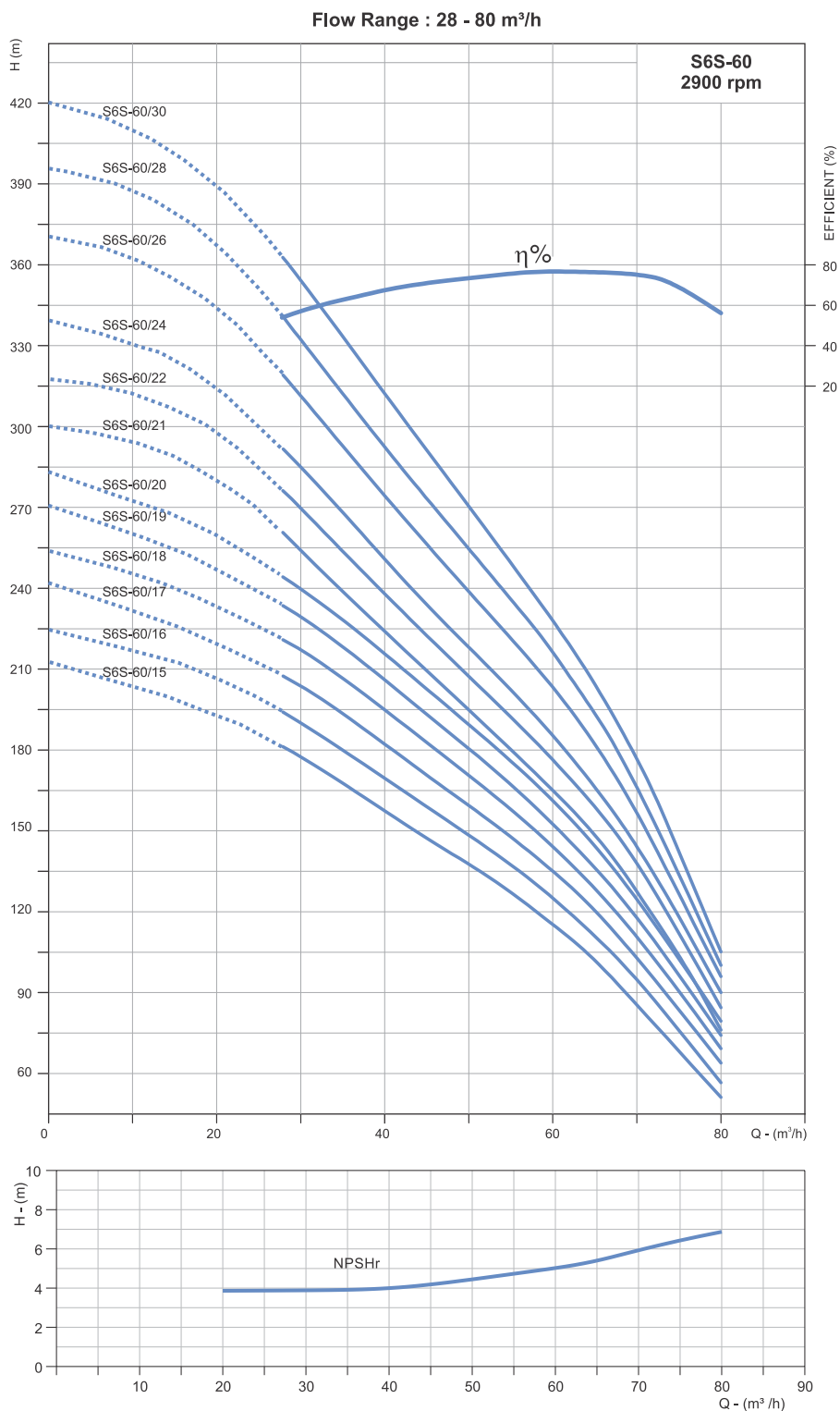
# STAINLESS STEEL SERIES

Nominal Diameter : **6"**

Nominal Flow : **60m<sup>3</sup>/h**

Outlet Size : Standard : **3"**  
Optional : **4"**

## Performance Curves



Performance curve tolerances are as per HI : 14.6 / ISO : 9906, Grade 3B.

In view of continuous developments, the informations / descriptions / specifications / illustrations are subject to change without notice.

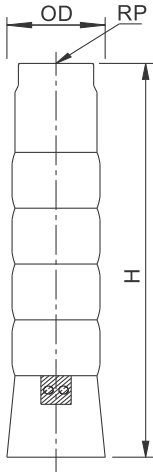
# STAINLESS STEEL SERIES

Nominal Diameter : **6"**

Nominal Flow : **76m<sup>3</sup>/h**

Outlet Size : Standard : **3"**  
Optional : **4"**

Dimensions & Weight Data



PUMP MODEL	POWER		*NO OF CABLE GUARD	DIMENSIONS (mm)			NET WEIGHT (kg)
	kW	HP		#OD	RP	H	
S6S-76/01	3	4	1	149/153	100	457	11
S6S-76/02	5.5	7.5	1/2	149/153	100	601	14
S6S-76/03	7.5	10	1/2	149/153	100	745	17
S6S-76/04	11	15	1/2	149/153	100	889	20
S6S-76/05	13	17.5	1/2	149/153	100	1033	23
S6S-76/06	15	20	1/2	149/153	100	1177	26
S6S-76/07	18.5	25	1/2	149/153	100	1321	29
S6S-76/08	18.5	25	1/2	149/153	100	1465	32
S6S-76/09	22	30	1/2	149/153	100	1609	35
S6S-76/10	26	35	1/2	149/153	100	1753	38
S6S-76/11	30	40	1/2	149/153	100	1897	41
S6S-76/12	30	40	1/2	149/153	100	2041	44
S6S-76/13	37	50	1/2	149/153	100	2185	47
S6S-76/14	37	50	1/2	149/153	100	2329	50
S6S-76/15	37	50	1/2	149/153	100	2473	54
S6S-76/16	45	60	1/2	149/153	100	2617	57
S6S-76/17	45	60	1/2	149/153	100	2761	60
S6S-76/18	45	60	1/2	149/153	100	2905	63

Performance Table

PUMP MODEL	POWER (kW)	lps	0	11.1	15.3	18.1	19.4	21.1	22.2	23.6	25.0	26.4
		m <sup>3</sup> /h	0	40	55	65	70	76	80	85	90	95
S6S-76/01	3	HEAD (m)	17	12	11	10	9	8	7	7	5	4
S6S-76/02	5.5		34	23	21	20	18	16	15	13	11	8
S6S-76/03	7.5		51	35	32	30	28	24	22	20	16	13
S6S-76/04	11		67	47	43	39	37	32	29	26	21	17
S6S-76/05	13		84	58	53	49	46	40	37	33	27	21
S6S-76/06	15		101	70	64	59	55	48	44	39	32	25
S6S-76/07	18.5		118	82	75	69	64	56	51	46	37	29
S6S-76/08	18.5		135	93	85	79	73	64	59	52	43	33
S6S-76/09	22		152	105	96	89	83	73	66	59	48	38
S6S-76/10	26		168	117	107	98	92	80	73	65	53	42
S6S-76/11	30		185	128	117	108	101	88	81	72	59	46
S6S-76/12	30		202	140	128	118	110	96	88	78	64	50
S6S-76/13	37		219	152	139	128	119	105	95	85	69	54
S6S-76/14	37		236	163	149	138	128	112	103	91	75	58
S6S-76/15	37		253	175	160	148	138	120	110	98	80	63
S6S-76/16	45		269	187	171	157	147	129	117	104	85	67
S6S-76/17	45		286	198	181	167	156	136	125	111	91	71
S6S-76/18	45		303	210	192	177	165	144	132	117	96	75

\* 1 denotes Single Cable Guard (D.O.L - 3 wire) and 2 denotes Double Cable Guard (S.D - 6 wire). Please specify preference while placing order.  
In view of continuous developments, the informations / descriptions / specifications / illustrations are subject to change without notice.

# STAINLESS STEEL SERIES

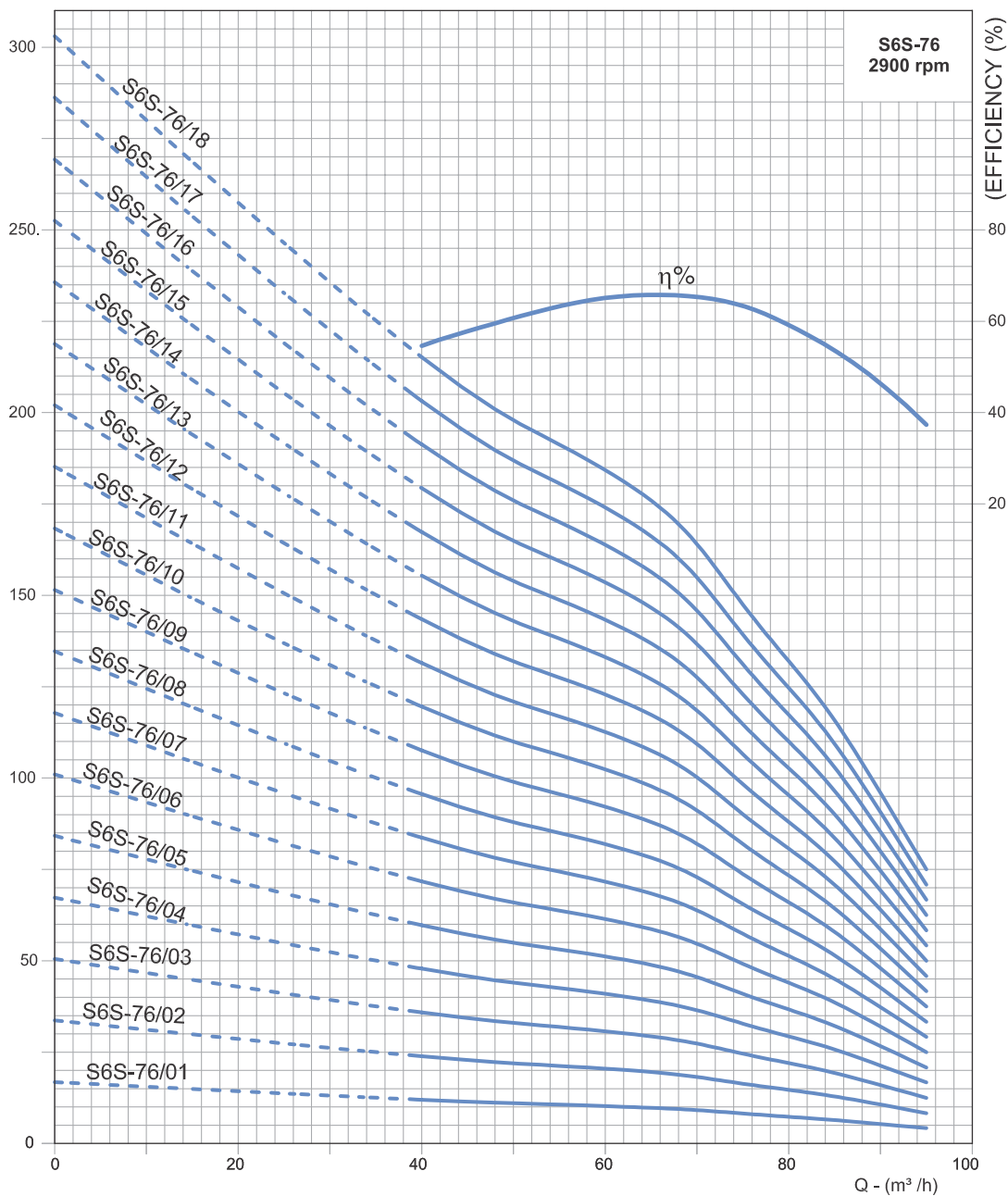
Nominal Diameter : **6"**

Nominal Flow : **76m<sup>3</sup>/h**

Outlet Size : Standard : **3"**  
Optional : **4"**

## Performance Curves

Flow Range : 40 - 95 m<sup>3</sup>/h



Performance curve tolerances are as per HI : 14.6 / ISO : 9906, Grade 3B.

In view of continuous developments, the informations / descriptions / specifications / illustrations are subject to change without notice.

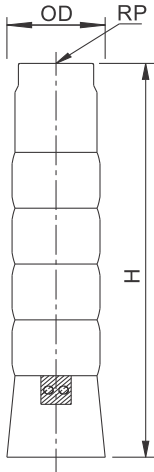
# STAINLESS STEEL SERIES

Nominal Diameter : **6"**

Nominal Flow : **92m<sup>3</sup>/h**

Outlet Size : Standard : **3"**  
Optional : **4"**

Dimensions & Weight Data



PUMP MODEL	POWER		*NO OF CABLE GUARD	DIMENSIONS (mm)			NET WEIGHT (kg)
	kW	HP		#OD	RP	H	
S6S-92/01	4	5.5	1/2	149/153	100	457	11
S6S-92/02	7.5	10	1/2	149/153	100	601	14
S6S-92/03	11	15	1/2	149/153	100	745	17
S6S-92/04	15	20	1/2	149/153	100	889	20
S6S-92/05	18.5	25	1/2	149/153	100	1033	23
S6S-92/06	22	30	1/2	149/153	100	1177	26
S6S-92/07	26	35	1/2	149/153	100	1321	29
S6S-92/08	30	40	1/2	149/153	100	1465	32
S6S-92/09	37	50	1/2	149/153	100	1609	35
S6S-92/10	37	50	1/2	149/153	100	1753	38
S6S-92/11	45	60	1/2	149/153	100	1897	41
S6S-92/12	45	60	1/2	149/153	100	2041	44

Performance Table

PUMP MODEL	POWER (kW)	lps	0	20.8	23.6	25.0	25.6	26.4	27.8	29.2	30.6	31.9	33.3
		m <sup>3</sup> /h	0	75	85	90	92	95	100	105	110	115	120
S6S-92/01	4	HEAD (m)	15	10	10	10	9	9	8	7	6	5	4
S6S-92/02	7.5		29	21	20	19	18	18	16	14	12	11	8
S6S-92/03	11		44	31	30	29	28	27	24	21	19	16	13
S6S-92/04	15		58	41	39	38	37	36	32	28	25	21	17
S6S-92/05	18.5		73	52	49	48	47	45	40	35	31	27	21
S6S-92/06	22		87	62	59	57	57	54	48	42	37	32	25
S6S-92/07	26		102	72	69	67	65	63	56	49	43	37	29
S6S-92/08	30		116	83	79	76	74	72	64	56	49	43	33
S6S-92/09	37		131	93	89	86	84	81	72	63	56	48	38
S6S-92/10	37		145	103	98	95	93	90	80	70	62	53	42
S6S-92/11	45		160	114	108	105	104	99	88	77	68	59	46
S6S-92/12	45		174	124	118	114	114	108	96	84	74	64	50

\* 1 denotes Single Cable Guard (D.O.L - 3 wire) and 2 denotes Double Cable Guard (S.D - 6 wire). Please specify preference while placing order.  
In view of continuous developments, the informations / descriptions / specifications / illustrations are subject to change without notice.

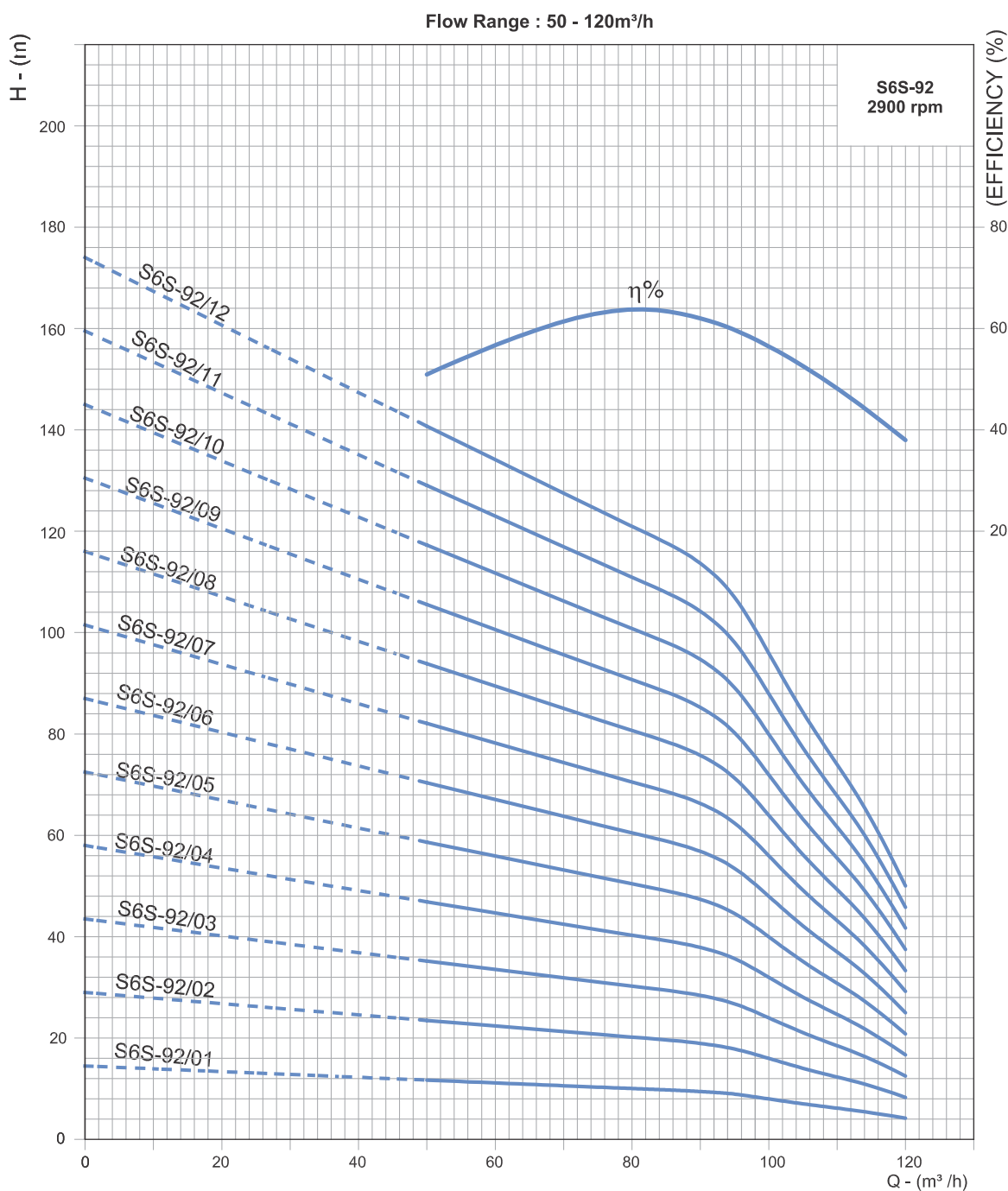
# STAINLESS STEEL SERIES

Nominal Diameter : **6"**

Nominal Flow : **92m<sup>3</sup>/h**

Outlet Size : Standard : **3"**  
Optional : **4"**

## Performance Curves



Performance curve tolerances are as per HI : 14.6 / ISO : 9906, Grade 3B.

In view of continuous developments, the informations / descriptions / specifications / illustrations are subject to change without notice.

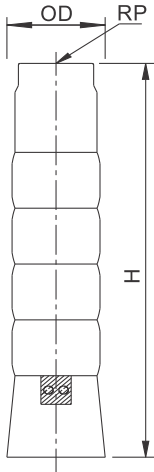


# STAINLESS STEEL SERIES

Nominal Diameter : **8"**

Nominal Flow : **78m<sup>3</sup>/h**

Outlet Size : Standard : **4"**  
Optional : **5"**



Dimensions & Weight Data

PUMP MODEL	POWER		*NO OF CABLE GUARD	DIMENSIONS (mm)			NET WEIGHT (kg)
	kW	HP		#OD	RP	H	
S8S-78/01	5.5	7.5	1	193	100 / 125	554	22
S8S-78/02	7.5	10	1/2	193/195	100 / 125	682	26
S8S-78/03	11	15	1/2	193/195	100 / 125	810	29
S8S-78/04	15	20	1/2	193/195	100 / 125	938	33
S8S-78/05	18.5	25	1/2	193/195	100 / 125	1066	37
S8S-78/06	22	30	1/2	193/195	100 / 125	1194	41
S8S-78/07	26	35	1/2	193/195	100 / 125	1322	45
S8S-78/08	30	40	1/2	193/195	100 / 125	1450	48
S8S-78/09	30	40	1/2	193/195	100 / 125	1578	52
S8S-78/10	37	50	1/2	193/195	100 / 125	1706	56
S8S-78/11	45	60	1/2	193/195	100 / 125	1834	60
S8S-78/12	45	60	1/2	193/195	100 / 125	1962	63
S8S-78/13	55	75	1/2	193/195	100 / 125	2090	67
S8S-78/14	55	75	1/2	193/195	100 / 125	2218	71
S8S-78/15	55	75	1/2	193/196	100 / 126	2346	75
S8S-78/16	63	85	1/2	193/195	100 / 125	2474	78
S8S-78/17	63	85	1/2	193/195	100 / 125	2602	82
S8S-78/18	63	85	1/2	193/195	100 / 125	2730	85
S8S-78/19	75	100	1/2	193/195	100 / 125	2858	89
S8S-78/20	75	100	1/2	193/195	100 / 125	2986	93
S8S-78/21	75	100	1/2	193/195	100 / 125	3114	97
S8S-78/22	93	125	1/2	193/195	100 / 125	3242	100

#OD - Overall diameter for 8" pump / 8" motor combination

Overall diameter for 8" pump / 6" motor combination - 173mm (single cable guard) & 177mm (Double cable guard)

\* 1 denotes Single Cable Guard (D.O.L - 3 wire) and 2 denotes Double Cable Guard (S.D - 6 wire). Please specify preference while placing order.

In view of continuous developments, the informations / descriptions / specifications / illustrations are subject to change without notice.

# STAINLESS STEEL SERIES

Nominal Diameter : **8"**Nominal Flow : **78m<sup>3</sup>/h**Outlet Size : Standard : **4"**  
Optional : **5"**

## Performance Table

PUMP MODEL	POWER (kW)	lps	0	5.56	8.34	11.11	13.88	16.66	21.7	22.22	27.78
		m <sup>3</sup> /h	0	20	30	40	50	60	78	80	100
S8S-78/01	5.5	HEAD (m)	20	19.7	18	16.8	15.5	14.2	12	12	7.5
S8S-78/02	7.5		39	38.5	37	34	31.5	29.5	24	24	15.5
S8S-78/03	11		59	58	55.5	51.5	47.5	43.7	35	34.5	22
S8S-78/04	15		81.5	80	76	70	65	59.5	49	48	31
S8S-78/05	18.5		102	99	94	87	80.5	75	62	60.5	37.5
S8S-78/06	22		121	118.5	112.5	104	96.5	89	73	72	44
S8S-78/07	26		142	138	131.5	122.5	112.5	103.5	86	84.5	72
S8S-78/08	30		162	157.5	150.5	139	128	118	98	96	58
S8S-78/09	30		182	177	167.5	155	143.5	132.5	109	107	64.5
S8S-78/10	37		202	197	188	174	160.5	148	121	120	74
S8S-78/11	45		218	217	207	191.5	177	163	133	132	78
S8S-78/12	45		244	237	225	209.5	192.5	178	147	145	89
S8S-78/13	55		265	258	245.5	228	211	194	162	157.5	94.5
S8S-78/14	55		285	277	263	245	226.5	209	173	169	101
S8S-78/15	55		304	300	285	264	243	224	185	184.5	111.5
S8S-78/16	63		323	316.5	300.5	280	259	239	197	195	119
S8S-78/17	63		343	336	319	297	274.5	253.5	208	205.5	125
S8S-78/18	63		357	355	339.5	317	292	269	223	218.5	133
S8S-78/19	75		381	376	357.5	332.5	308	284	232	230	141.5
S8S-78/20	75		404	395	375	346	322	297	247	242	150
S8S-78/21	75		420	410	390	368	335	309	253	250	157
S8S-78/22	93		440	429	407	380	350	324	270	265	164

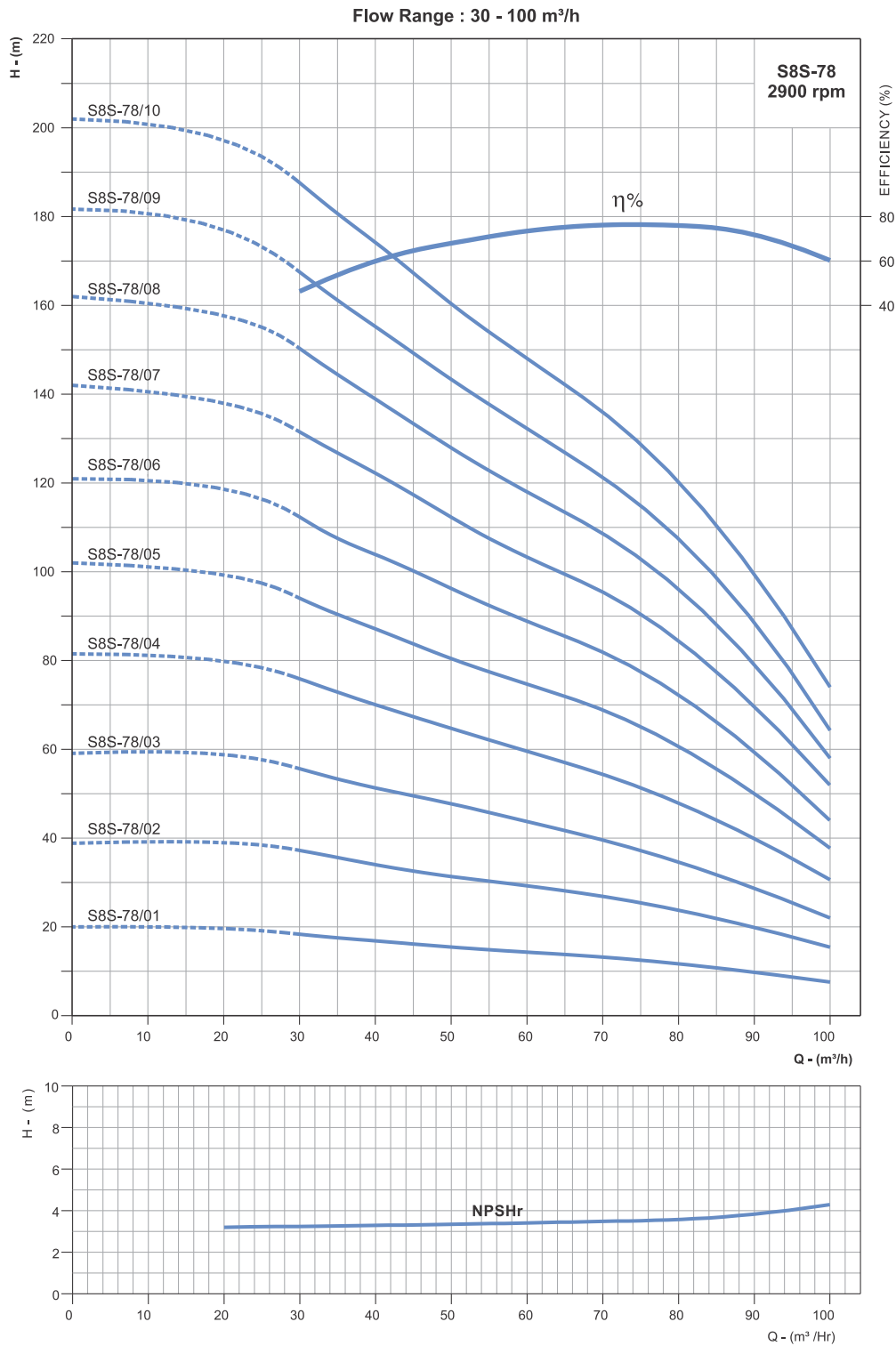
# STAINLESS STEEL SERIES

Nominal Diameter : **8"**

Nominal Flow : **78m<sup>3</sup>/h**

Outlet Size : Standard : **4"**  
Optional : **5"**

## Performance Curves



Performance curve tolerances are as per HI : 14.6 / ISO : 9906, Grade 3B.

In view of continuous developments, the informations / descriptions / specifications / illustrations are subject to change without notice.

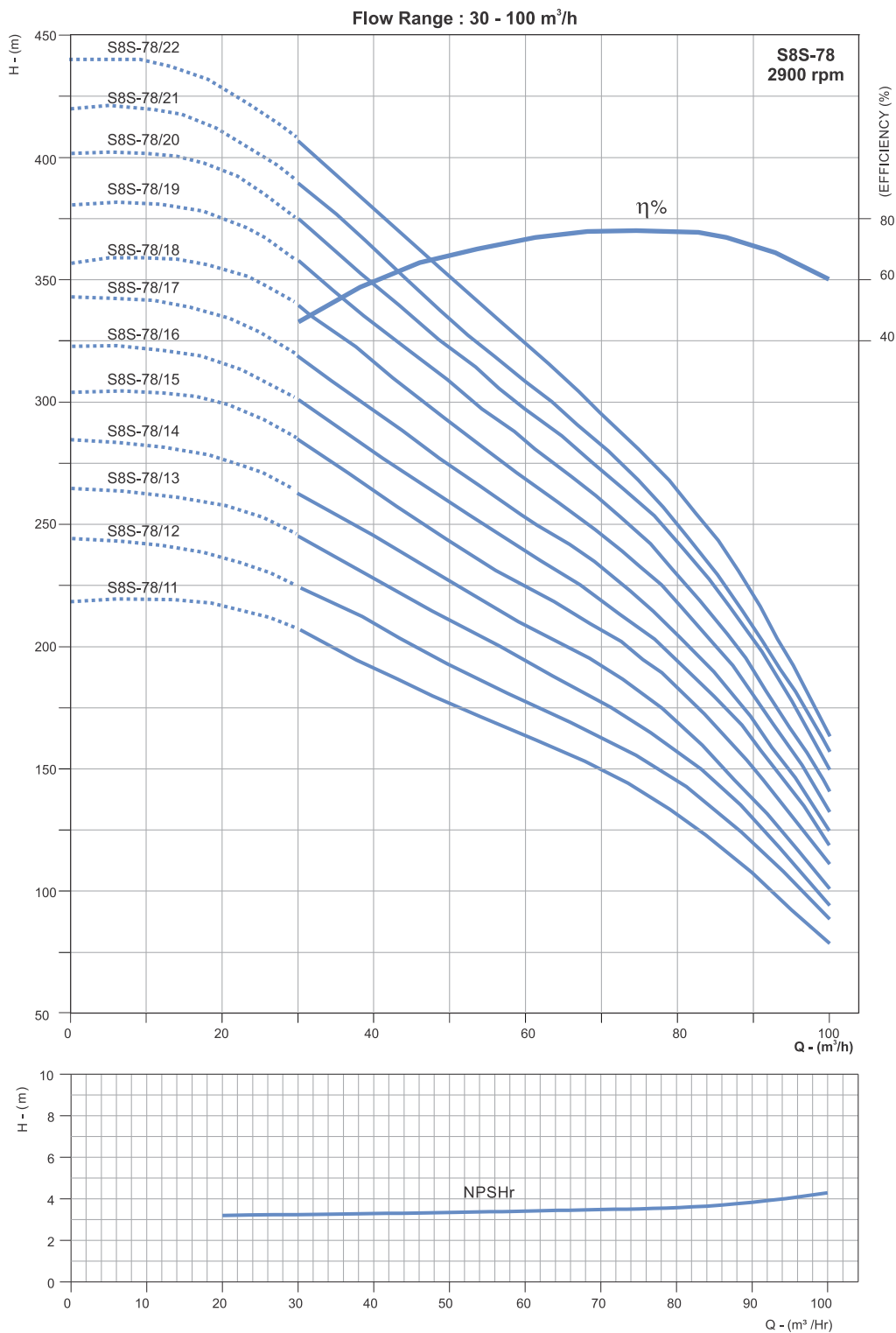
# STAINLESS STEEL SERIES

Nominal Diameter : **8"**

Nominal Flow : **78m<sup>3</sup>/h**

Outlet Size : Standard : **4"**  
Optional : **5"**

## Performance Curves



Performance curve tolerances are as per HI : 14.6 / ISO : 9906, Grade 3B.

In view of continuous developments, the informations / descriptions / specifications / illustrations are subject to change without notice.

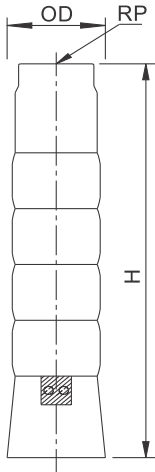
# STAINLESS STEEL SERIES

Nominal Diameter : **8"**

Nominal Flow : **95m<sup>3</sup>/h**

Outlet Size : Standard : **4"**  
Optional : **5"**

Dimensions & Weight Data



PUMP MODEL	POWER		*NO OF CABLE GUARD	DIMENSIONS (mm)			NET WEIGHT (kg)
	kW	HP		#OD	RP	H	
S8S-95/01	5.5	7.5	1	193	125	554	22
S8S-95/02	9.3	12.5	1/2	193/195	125	682	26
S8S-95/03	13	17.5	1/2	193/195	125	810	30
S8S-95/04	18.5	25	1/2	193/195	125	938	33
S8S-95/05	22	30	1/2	193/195	125	1066	37
S8S-95/06	26	35	1/2	193/195	125	1194	41
S8S-95/07	30	40	1/2	193/195	125	1322	45
S8S-95/08	37	50	1/2	193/195	125	1450	49
S8S-95/09	37	50	1/2	193/195	125	1578	53
S8S-95/10	45	60	1/2	193/195	125	1706	57
S8S-95/11	55	75	1/2	193/195	125	1834	61
S8S-95/12	55	75	1/2	193/195	125	1962	64
S8S-95/13	55	75	1/2	193/195	125	2090	68
S8S-95/14	63	85	1/2	193/195	25	2218	74
S8S-95/15	75	100	1/2	193/195	125	2346	76
S8S-95/16	75	100	1/2	193/195	125	2474	80
S8S-95/17	93	125	1/2	193/195	125	2602	84
S8S-95/18	93	125	1/2	193/195	125	2730	88
S8S-95/19	93	125	1/2	193/195	125	2858	92
S8S-95/20	93	125	1/2	193/195	125	2986	96
S8S-95/22	110	150	1/2	193/195	125	3242	104
S8S-95/24	130	175	1/2	193/195	125	3370	111

#OD - Overall diameter for 8" pump / 8" motor combination

Overall diameter for 8" pump / 6" motor combination - 173mm (single cable guard) & 177mm (Double cable guard)

\* 1 denotes Single Cable Guard (D.O.L - 3 wire) and 2 denotes Double Cable Guard (S.D - 6 wire). Please specify preference while placing order.

In view of continuous developments, the informations / descriptions / specifications / illustrations are subject to change without notice.

# STAINLESS STEEL SERIES

Nominal Diameter : **8"**Nominal Flow : **95m<sup>3</sup>/h**Outlet Size : Standard : **4"**  
Optional : **5"**

## Performance Table

PUMP MODEL	POWER (kW)	lps	0	5.56	11.11	16.66	22.22	26.4	27.78	33.33	35
		m <sup>3</sup> /h	0	20	40	60	80	95	100	120	126
S8S-95/01	5.5	HEAD (m)	22	21	18	15.5	13.5	11.5	11.5	6	2
S8S-95/02	9.3		44	41.5	36	31.5	28	23	22.5	13	8.5
S8S-95/03	13		68	62.5	55.3	48.5	42.5	34	32.5	19.5	12.5
S8S-95/04	18.5		90	83.5	74	65	56.5	46	44	26	17
S8S-95/05	22		111	103	93	80.5	70.5	58	55.5	33	24
S8S-95/06	26		131	124	111.5	97	84.5	69	67	40	29
S8S-95/07	30		151	144	129.5	113	98	82	78	47	34.5
S8S-95/08	37		173	165	148.5	130	114	96	91.5	54.5	40
S8S-95/09	37		194	184	165.5	144	126	108	100.5	60.5	47
S8S-95/10	45		211	200	181.5	162	140	114	113	68.5	51
S8S-95/11	55		237.5	227.5	204.5	179.5	158	137	126.5	77	60.5
S8S-95/12	55		262.5	248	222	194.5	170	140	137.5	83	64
S8S-95/13	55		285	268	241.5	210.5	185.5	153	151	90.5	69
S8S-95/14	63		306	291	262	229.5	202	170	164.5	100	78
S8S-95/15	75		326	310	280	246	216	183	176	106.5	57
S8S-95/16	75		347.5	331	296.5	261	229	190	186	112.5	89.5
S8S-95/17	75		367.5	350	314	275.5	241.5	207	196	119	95
S8S-95/18	93		393	373	336	294	259	223	211	128	99
S8S-95/19	93		410	391.5	355	310.5	274	230	220	133	105
S8S-95/20	93		435	416	376.5	325.5	286	241	231.5	145	112
S8S-95/22	110	475	452	416.5	351	307	260	250	156	120	
S8S-95/24	130	518	490	453	383	332	278	270	176	132	

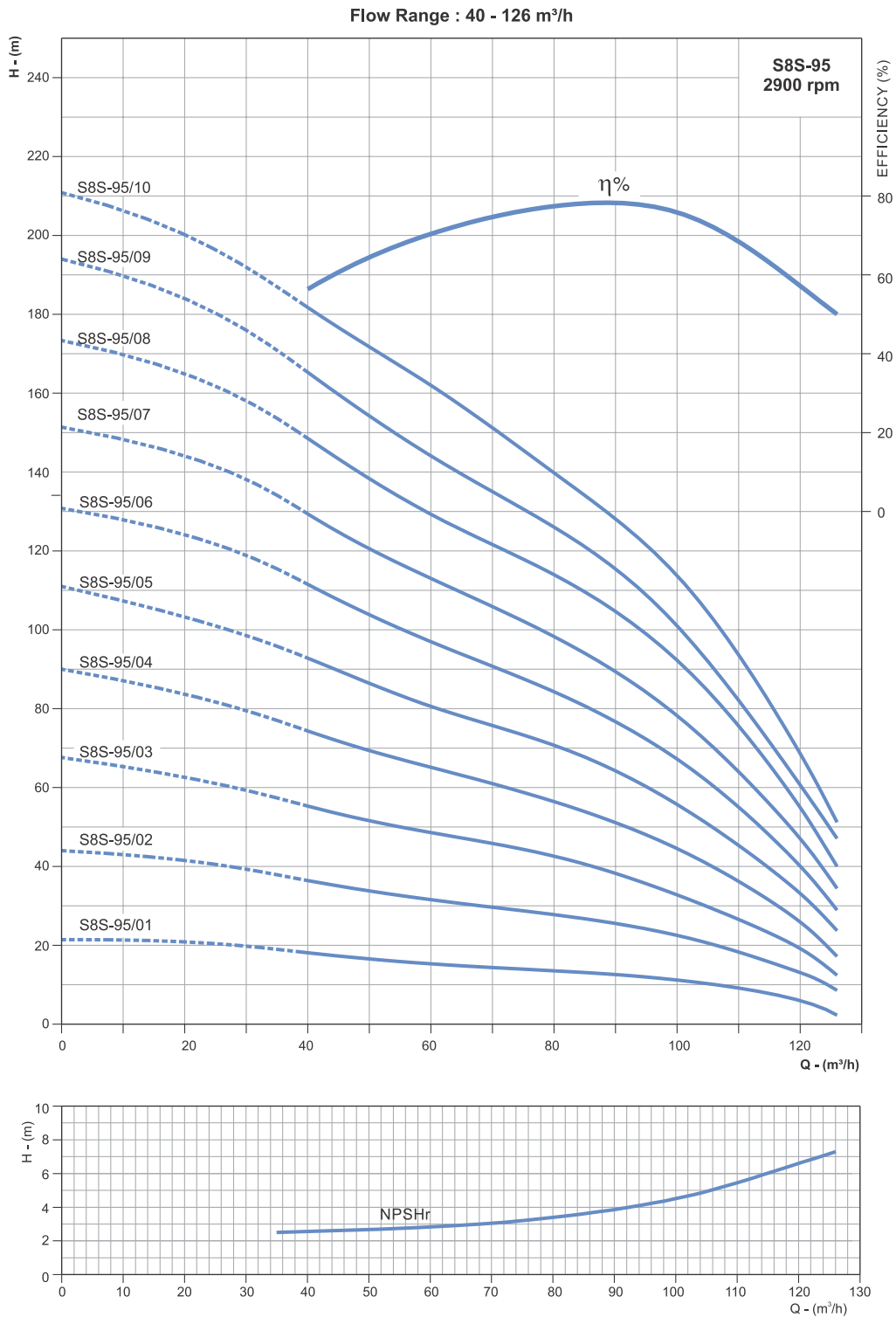
# STAINLESS STEEL SERIES

Nominal Diameter : **8"**

Nominal Flow : **95m<sup>3</sup>/h**

Outlet Size : Standard : **4"**  
Optional : **5"**

## Performance Curves



Performance curve tolerances are as per HI : 14.6 / ISO : 9906, Grade 3B.

In view of continuous developments, the informations / descriptions / specifications / illustrations are subject to change without notice.

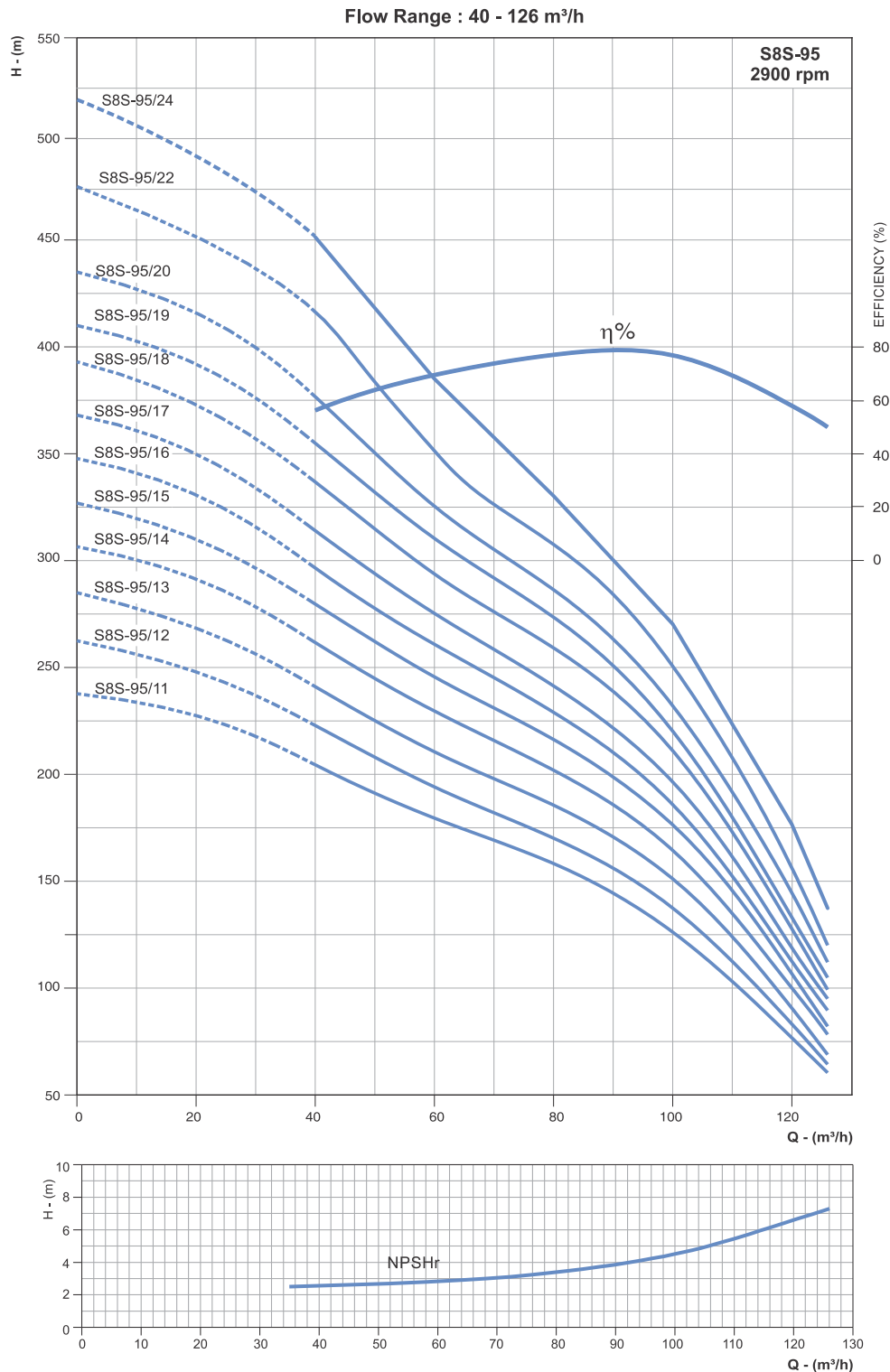
# STAINLESS STEEL SERIES

Nominal Diameter : **8"**

Nominal Flow : **95m<sup>3</sup>/h**

Outlet Size : Standard : **4"**  
Optional : **5"**

## Performance Curves



Performance curve tolerances are as per HI : 14.6 / ISO : 9906, Grade 3B.  
In view of continuous developments, the informations / descriptions / specifications / illustrations are subject to change without notice.

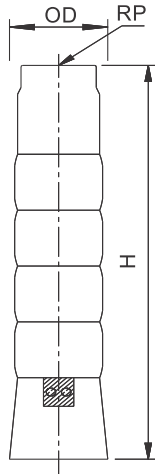


# STAINLESS STEEL SERIES

Nominal Diameter : **10"**

Nominal Flow : **125m<sup>3</sup>/h**

Outlet Size : **6"**



**Dimensions & Weight Data**

PUMP MODEL	POWER		*No. OF CABLE GUARD	DIMENSIONS (mm)			NET WEIGHT (kg)
	kW	HP		#OD	RP	H	
S10S-125/01	11	15	1/2	225	150	644	31
S10S-125/02	22	30	1/2	225	150	798	37
S10S-125/03	30	40	1/2	225	150	952	43
S10S-125/04R	37	50	1/2	225	150	1106	49
S10S-125/04	45	60	1/2	225	150	1106	49
S10S-125/05R	45	60	1/2	225	150	1260	55
S10S-125/05	55	75	1/2	225	150	1260	55
S10S-125/06	63	85	1/2	225	150	1414	61
S10S-125/07	75	100	1/2	225	150	1568	67
S10S-125/08RR	75	100	1/2	225	150	1722	74
S10S-125/08R	75	100	1/2	225	150	1722	74
S10S-125/08	75	100	1/2	225	150	1722	74
S10S-125/09	93	125	1/2	225	150	1876	80
S10S-125/10R	93	125	1/2	225	150	2030	86
S10S-125/10	93	125	1/2	225	150	2030	86

**Performance Table**

PUMP MODEL	POWER (kW)	lps	0	13.88	20.83	27.77	34.72	41.66	45
		m <sup>3</sup> /h	0	50	75	100	125	150	162
S10S-125/01	11	HEAD (m)	29	26	24	21	18	14	12
S10S-125/02	22		58	56	49	44	38	30	25
S10S-125/03	30		86	81	74	66	56	45	37
S10S-125/04R	37		105	100	92	83	70	52	43
S10S-125/04	45		114	108	99	90	78	60	50
S10S-125/05R	45		135	129	119	108	93	70	58
S10S-125/05	55		144	134	127	116	102	80	68
S10S-125/06	63		174	166	154	140	123	97	93
S10S-125/07	75		202	194	180	164	144	114	97
S10S-125/08RR	75		213	204	190	172	148	114	94
S10S-125/08R	75		220	212	194	176	152	117	97
S10S-125/08	75		228	219	202	183	160	124	106
S10S-125/09	93		259	238	228	208	182	142	122
S10S-125/10R	93		279	268	247	226	195	152	127
S10S-125/10	93		287	274	254	231	204	158	132

#OD - Overall diameter for 10" pump / 10" motor combination  
 Overall diameter for 10" pump / 6" motor combination - 204mm (single cable guard) & 207mm (Double cable guard)  
 Overall diameter for 10" pump / 8" motor combination - 204mm (single cable guard) & 207mm (Double cable guard)

\* 1 denotes Single Cable Guard (D.O.L - 3 wire) and 2 denotes Double Cable Guard (S.D - 6 wire). Please specify preference while placing order.

In view of continuous developments, the informations / descriptions / specifications / illustrations are subject to change without notice.

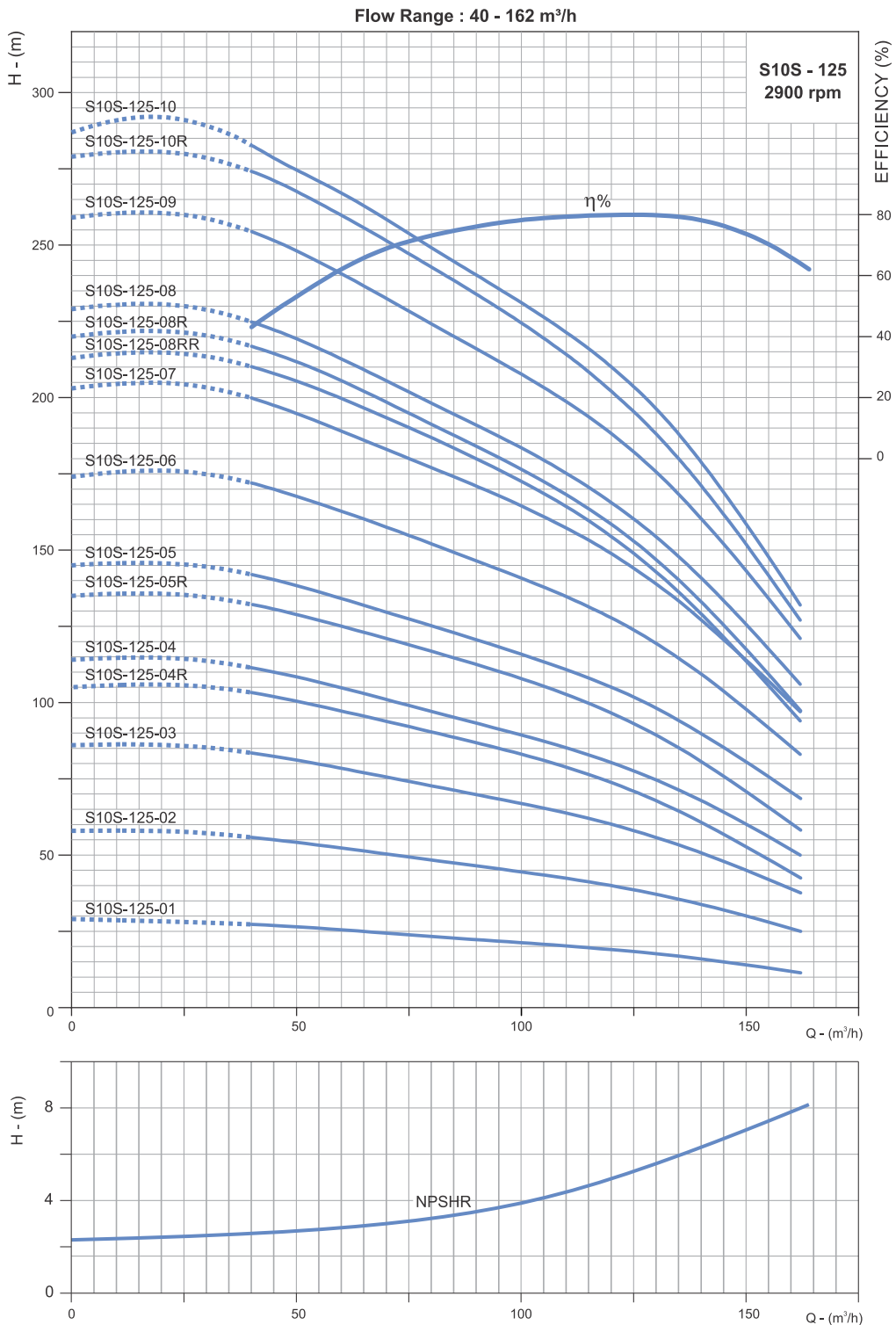
# STAINLESS STEEL SERIES

Nominal Diameter : **10"**

Nominal Flow : **125m<sup>3</sup>/h**

Outlet Size : **6"**

## Performance Curves



Performance curve tolerances are as per HI : 14.6 / ISO : 9906, Grade 3B.

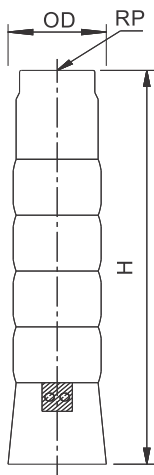
In view of continuous developments, the informations / descriptions / specifications / illustrations are subject to change without notice.

# STAINLESS STEEL SERIES

Nominal Diameter : **10"**

Nominal Flow : **125m<sup>3</sup>/h**

Outlet Size : **6"**



Dimensions & Weight Data

PUMP MODEL	POWER		*No. OF CABLE GUARD	DIMENSIONS (mm)			NET WEIGHT (kg)
	kW	HP		#OD	RP	H	
S10S-125/11	110	150	1/2	225	150	2184	92
S10S-125/12	130	175	1/2	225	150	2338	98
S10S-125/13	130	175	1/2	225	150	2492	109
S10S-125/14	150	200	1/2	225	150	2646	120
S10S-125/15	150	200	1/2	225	150	2800	131
S10S-125/16	170	225	1/2	225	150	2954	142
S10S-125/17	170	225	1/2	225	150	3108	152

Performance Table

PUMP MODEL	POWER (kW)	lps	0	13.88	20.83	27.77	34.72	41.66	45
		m <sup>3</sup> /h	0	50	75	100	125	150	162
S10S-125/11	110	HEAD (m)	308	300	274	249	219	170	140
S10S-125/12	130		343	330	305	278	246	192	162
S10S-125/13	130		372	358	328	299	264	210	177
S10S-125/14	150		400	390	360	328	292	232	192
S10S-125/15	150		426	416	384	351	310	248	209
S10S-125/16	170		456	443	410	376	330	265	225
S10S-125/17	170		488	473	440	400	352	286	240

#OD - Overall diameter for 10" pump / 10" motor combination

Overall diameter for 10" pump / 6" motor combination - 204mm(Single cable guard) & 207mm (Double cable guard)

Overall diameter for 10" pump / 8" motor combination - 204mm(Single cable guard) & 207mm (Double cable guard)

\* 1 denotes Single Cable Guard (D.O.L - 3 wire) and 2 denotes Double Cable Guard (S.D - 6 wire). Please specify preference while placing order.

In view of continuous developments, the informations / descriptions / specifications / illustrations are subject to change without notice.

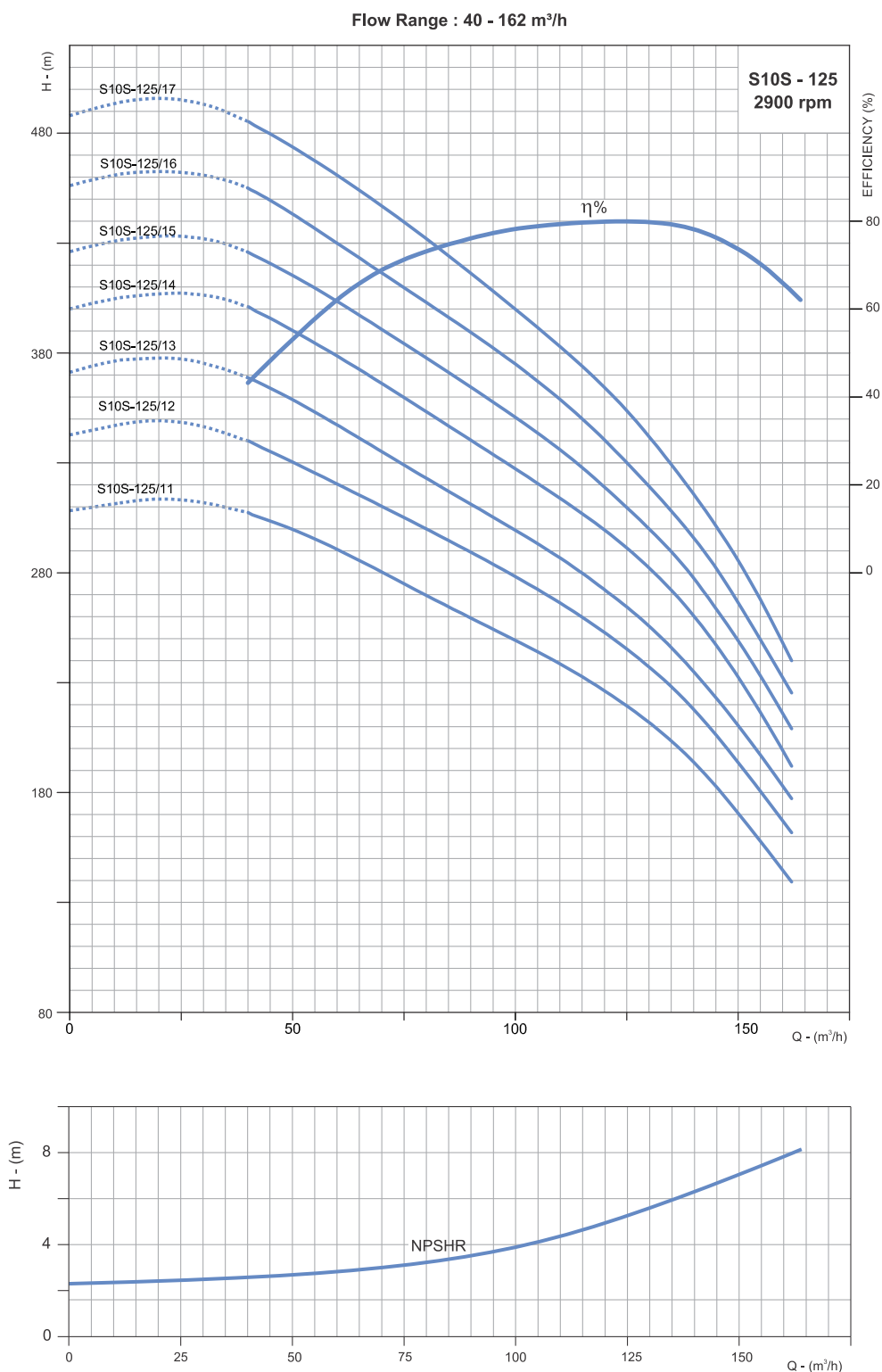
# STAINLESS STEEL SERIES

Nominal Diameter : **10"**

Nominal Flow : **125m<sup>3</sup>/h**

Outlet Size : **6"**

## Performance Curves



Performance curve tolerances are as per HI : 14.6 / ISO : 9906, Grade 3B.

In view of continuous developments, the informations / descriptions / specifications / illustrations are subject to change without notice.

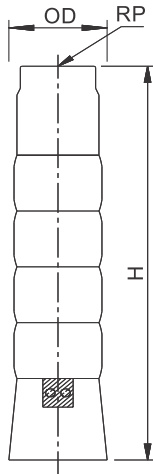
# STAINLESS STEEL SERIES

Nominal Diameter : **10"**

Nominal Flow : **160m<sup>3</sup>/h**

Outlet Size : **6"**

### Dimensions & Weight Data



PUMP MODEL	POWER		*No. OF CABLE GUARD	DIMENSIONS (mm)			NET WEIGHT (kg)
	kW	HP		#OD	RP	H	
S10S - 160/01R	9.3	12.5	1/2	225	150	646	30
S10S - 160/01	13	17.5	1/2	225	150	646	30
S10S - 160/02RR	18.5	25	1/2	225	150	802	36
S10S - 160/02R	22	30	1/2	225	150	802	36
S10S - 160/02	26	35	1/2	225	150	802	36
S10S - 160/03RR	30	40	1/2	225	150	958	43
S10S - 160/03R	37	50	1/2	225	150	958	43
S10S - 160/03	37	50	1/2	225	150	958	43
S10S - 160/04RR	45	60	1/2	225	150	1114	49
S10S - 160/04R	45	60	1/2	225	150	1114	49
S10S - 160/04	55	75	1/2	225	150	1114	49
S10S - 160/05RR	55	75	1/2	225	150	1270	56
S10S - 160/05R	55	75	1/2	225	150	1270	56
S10S - 160/05	63	85	1/2	225	150	1270	56
S10S - 160/06RR	63	85	1/2	225	150	1426	62
S10S - 160/06R	75	100	1/2	225	150	1426	62
S10S - 160/06	75	100	1/2	225	150	1426	62
S10S - 160/07RR	75	100	1/2	225	150	1582	68
S10S - 160/07R	93	125	1/2	225	150	1582	68
S10S - 160/07	93	125	1/2	225	150	1582	68
S10S - 160/08RR	93	125	1/2	225	150	1738	74
S10S - 160/08R	93	125	1/2	225	150	1738	74
S10S - 160/08	93	125	1/2	225	150	1738	74
S10S - 160/09RR	110	150	1/2	225	150	1894	83
S10S - 160/09R	110	150	1/2	225	150	1894	83
S10S - 160/09	110	150	1/2	225	150	1894	83
S10S - 160/10RR	110	150	1/2	225	150	2050	90
S10S - 160/10R	130	175	1/2	225	150	2050	90
S10S - 160/10	130	175	1/2	225	150	2050	90
S10S - 160/11	130	175	1/2	225	150	2206	96
S10S - 160/12	150	200	1/2	225	150	2362	107
S10S - 160/13	170	225	1/2	225	150	2518	113
S10S - 160/14	170	225	1/2	225	150	2674	119
S10S - 160/15	187	250	1/2	225	150	2830	125

#OD - Overall diameter for 10" pump / 10" motor combination

Overall diameter for 10" pump / 6" motor combination - 208mm(Single cable guard) & 211mm (Double cable guard)

Overall diameter for 10" pump / 8" motor combination - 208mm(Single cable guard) & 211mm (Double cable guard)

\* 1 denotes Single Cable Guard (D.O.L - 3 wire) and 2 denotes Double Cable Guard (S.D - 6 wire). Please specify preference while placing order.

In view of continuous developments, the informations / descriptions / specifications / illustrations are subject to change without notice.

## STAINLESS STEEL SERIES

Nominal Diameter : **10"**Nominal Flow : **160m<sup>3</sup>/h**Outlet Size : **6"**

## Performance Table

PUMP MODEL	POWER (kW)	Ips	0	13.89	22.24	33.36	44.48	55.6
		m <sup>3</sup> /hr	0	50	80	120	160	200
S10S - 160/01R	9.3	HEAD (m)	25	22	20.5	17	13	6
S10S - 160/01	13		33	30	26.5	23	20	14.5
S10S - 160/02RR	18.5		48	44	39	34	27	14
S10S - 160/02R	22		55	52	47	40	33	20.5
S10S - 160/02	26		61	60	54	46	39	27
S10S - 160/03RR	30		77	75	69	59	47	28
S10S - 160/03R	37		87.5	84	76	65	55	36
S10S - 160/03	37		95.5	91	80.5	70	60	41
S10S - 160/04RR	45		111	106	96	83	70	44
S10S - 160/04R	45		117	114	103	88.5	76	50
S10S - 160/04	55		124.5	120	110	95	80	59
S10S - 160/05RR	55		140	136	123	107	90	59.5
S10S - 160/05R	55		148	144	129	111	95	64
S10S - 160/05	63		155	150	136.5	118	100	71
S10S - 160/06RR	63		169	163	150	129	108.5	72
S10S - 160/06R	75		177	170	155	135	113	76
S10S - 160/06	75		186	180	165	142	119	84
S10S - 160/07RR	75		200	193	177	153	127	86
S10S - 160/07R	93		208	203	184	159	136	92
S10S - 160/07	93		220	209	188.5	163	138	96
S10S - 160/08RR	93		230	223	203	175	147	97
S10S - 160/08R	93		240	231	209	180	153	104
S10S - 160/08	93		247.5	239	216	188.5	156.5	108
S10S - 160/09RR	110		255	251	229	193	160	105
S10S - 160/09R	110		265	263	238	200	167	112
S10S - 160/09	110		275	273	249	207	176	120
S10S - 160/10RR	110		294	283	260	218	185	178
S10S - 160/10R	130		304	289	270	228	195	138
S10S - 160/10	130		310	300	280	233	200	140
S10S - 160/11	130		333	328	309	255	220	156
S10S - 160/12	150		360	358	338	279	235	173
S10S - 160/13	170		392	389	362	304	255	190
S10S - 160/14	170		423	418	389	324	274	208
S10S - 160/15	187	453	450	419	350	292	220	

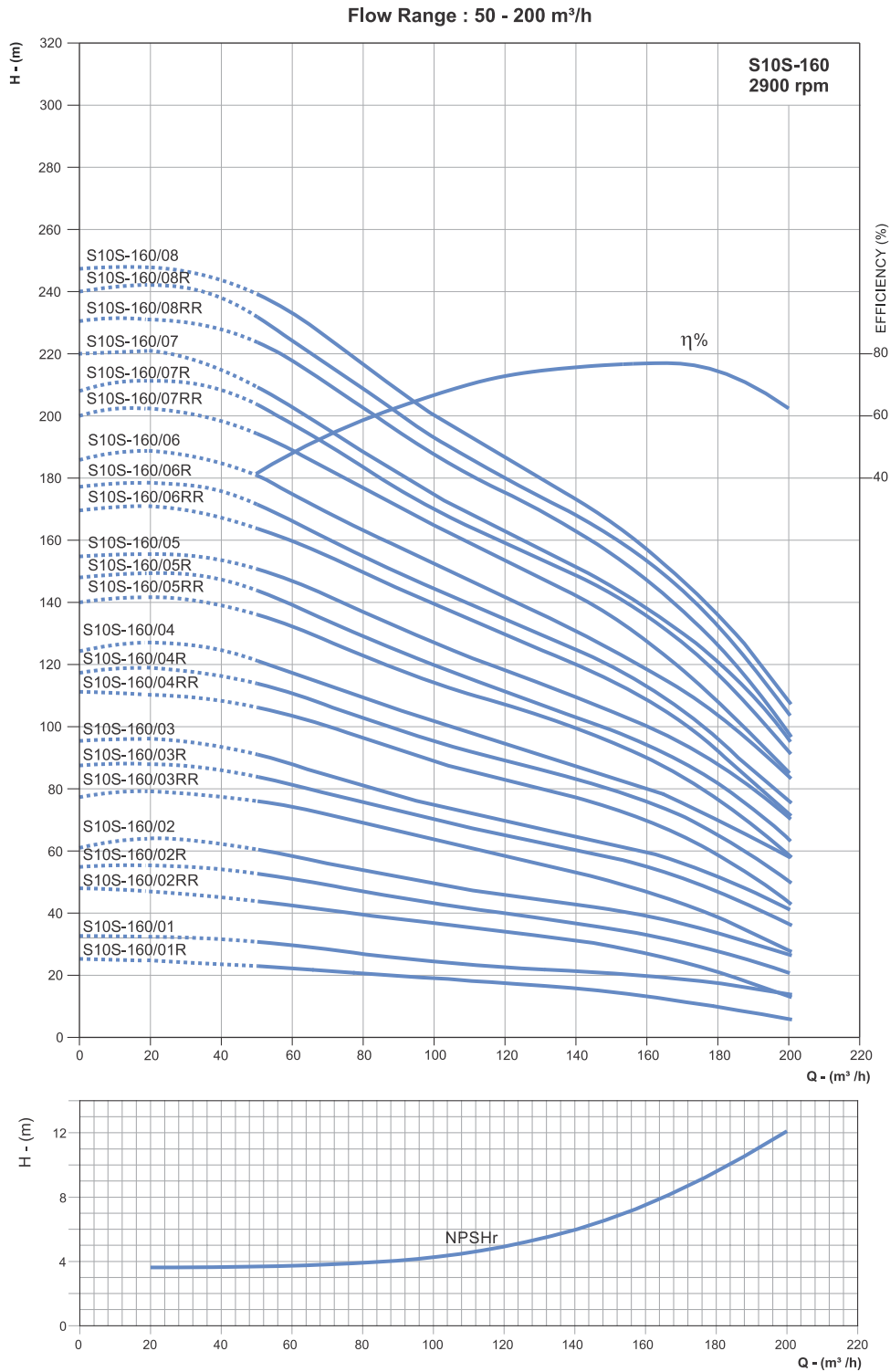
# STAINLESS STEEL SERIES

Nominal Diameter : **10"**

Nominal Flow : **160m<sup>3</sup>/h**

Outlet Size : **6"**

## Performance Curves



Performance curve tolerances are as per HI : 14.6 / ISO : 9906, Grade 3B.

In view of continuous developments, the informations / descriptions / specifications / illustrations are subject to change without notice.

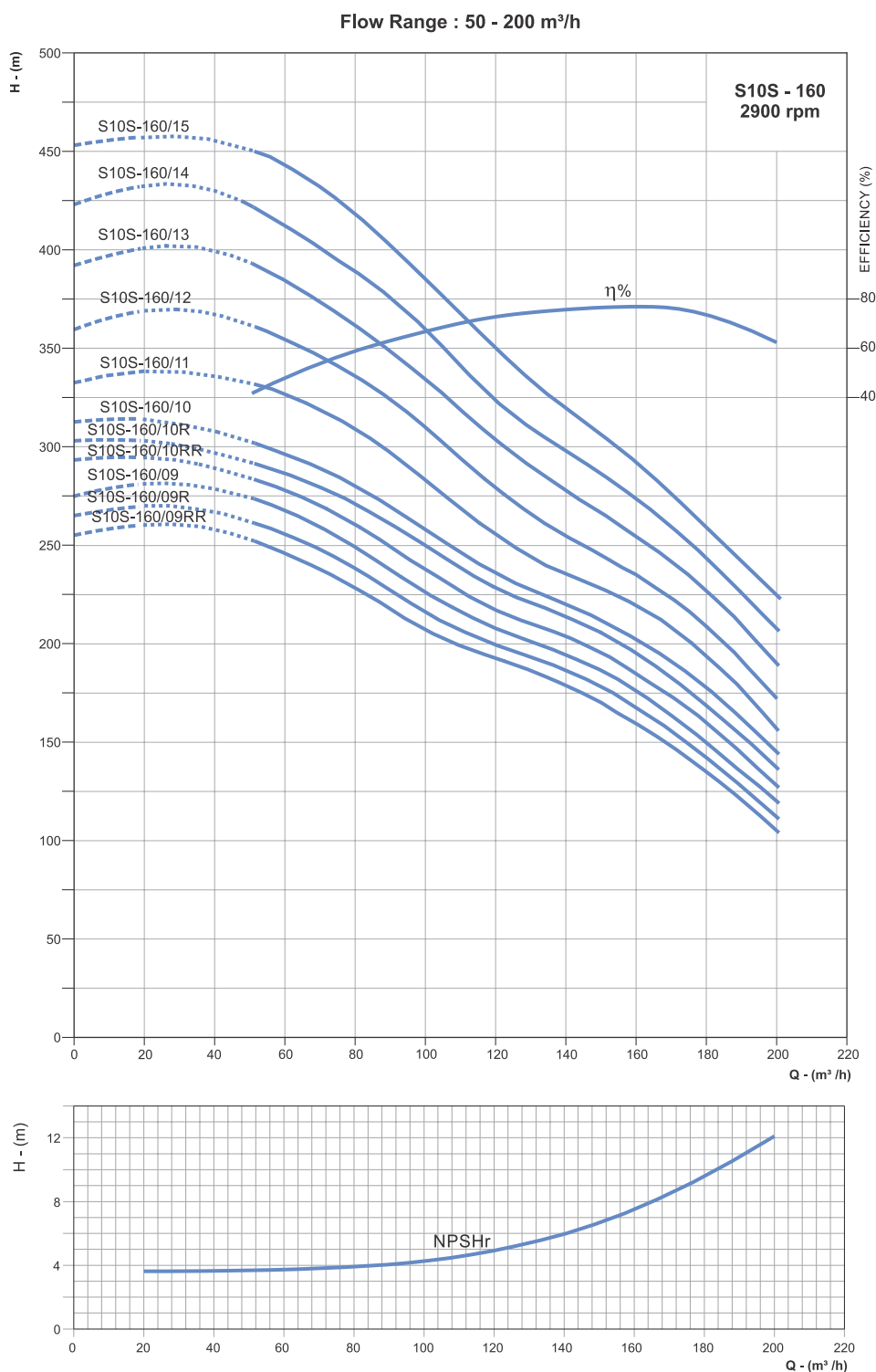
# STAINLESS STEEL SERIES

Nominal Diameter : **10"**

Nominal Flow : **160m<sup>3</sup>/h**

Outlet Size : **6"**

## Performance Curves



Performance curve tolerances are as per HI : 14.6 / ISO : 9906, Grade 3B.

In view of continuous developments, the informations / descriptions / specifications / illustrations are subject to change without notice.



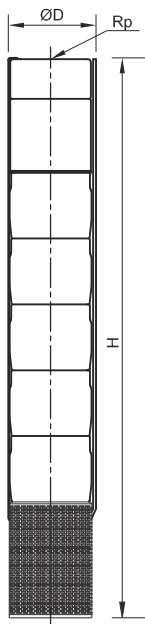
# STAINLESS STEEL SERIES

Nominal Diameter : **10"**

Nominal Flow : **215m<sup>3</sup>/h**

Outlet Size : **6"**

### Dimensions & Weight Data



PUMP MODEL	POWER		*No. OF CABLE GUARD	DIMENSIONS (mm)			NET WEIGHT (kg)	
	kW	HP		OD <sup>1</sup>	RP	H		
S10S - 215/01R	15	20	1/2	255	259	150	794	47
S10S - 215/01	18.5	25	1/2	255	259	150	794	47
S10S - 215/02RR	30	40	1/2	255	259	150	670	60
S10S - 215/02R	37	50	1/2	255	259	150	670	60
S10S - 215/02	45	60	1/2	255	259	150	670	60
S10S - 215/03RR	55	75	1/2	255	259	150	1146	80
S10S - 215/03R	55	75	1/2	255	259	150	1146	80
S10S - 215/03	63	85	1/2	255	259	150	1146	80
S10S - 215/04RR	75	100	1/2	255	259	150	1322	92
S10S - 215/04R	75	100	1/2	255	259	150	1322	92
S10S - 215/04	75	100	1/2	255	259	150	1322	92
S10S - 215/05RR	93	125	1/2	255	259	150	1498	105
S10S - 215/05R	93	125	1/2	255	259	150	1498	105
S10S - 215/05	93	125	1/2	255	259	150	1498	105
S10S - 215/06RR	110	150	1/2	255	259	150	1674	117
S10S - 215/06R	110	150	1/2	255	259	150	1674	117
S10S - 215/06	110	150	1/2	255	259	150	1674	117
S10S - 215/07RR	130	175	1/2	255	259	150	1850	130
S10S - 215/07R	130	175	1/2	255	259	150	1850	130
S10S - 215/07	130	175	1/2	255	259	150	1850	130
S10S - 215/08RR	150	200	1/2	255	259	150	2026	142
S10S - 215/08R	150	200	1/2	255	259	150	2026	142
S10S - 215/08	150	200	1/2	255	259	150	2026	142
S10S - 215/09RR	170	225	1/2	255	259	150	2202	155
S10S - 215/09R	170	225	1/2	255	259	150	2202	155
S10S - 215/09	170	225	1/2	255	259	150	2202	155
S10S - 215/10RR	187	250	1/2	255	259	150	2378	167
S10S - 215/10R	187	250	1/2	255	259	150	2378	167
S10S - 215/10	187	250	1/2	255	259	150	2378	167
S10S - 215/11	220	300	1/2	282	286	150	2554	180

#OD - Overall diameter for 10" pump / 10" motor combination

Overall diameter for 10" pump / 6" motor combination - 234mm (Single cable guard) & 238mm (Double cable guard)

Overall diameter for 10" pump / 8" motor combination - 255mm (Single cable guard) & 259mm (Double cable guard)

\* 1 denotes Single Cable Guard (D.O.L - 3 wire) and 2 denotes Double Cable Guard (S.D - 6 wire). Please specify preference while placing order.

In view of continuous developments, the informations / descriptions / specifications / illustrations are subject to change without notice.

## STAINLESS STEEL SERIES

Nominal Diameter : **10"**Nominal Flow : **215m<sup>3</sup>/h**Outlet Size : **6"**

## Performance Table

PUMP MODEL	POWER		lps	0	13.89	27.78	41.67	55.56	59.72	69.44	77.78
	kW	HP	m <sup>3</sup> /h	0	50	100	150	200	215	250	280
S10S - 215/01R	15	20	HEAD (m)	26	25	23	19	15	13	7	4
S10S - 215/01	18.5	25		38	36	32	27	23.5	22	16.5	10.5
S10S - 215/02RR	30	40		53	52	49	42	35	31	21	11
S10S - 215/02R	37	50		64	61	55	49	42	40	30	18
S10S - 215/02	45	60		82	76	68	58	50	48	41	29.50
S10S - 215/03RR	55	75		90	88	80	71	61	58	43	24
S10S - 215/03R	55	75		101	97	88	76	66	63	49	33
S10S - 215/03	63	85		120	112	102	87	74	70	56	32
S10S - 215/04RR	75	100		127	125	114	101	86	81	64	40
S10S - 215/04R	75	100		138	134	121	106	92	87	70	48
S10S - 215/04	75	100		156	147	137	120	102	97	80	52
S10S - 215/05RR	93	125		165	161	146	129	111	105	83	55
S10S - 215/05R	93	125		175	170	153	134	118	110	89	63
S10S - 215/05	93	125		196	185	172	150	128	123	100	69
S10S - 215/06RR	110	150		201	196	178	156	136	128	101	70
S10S - 215/06R	110	150		212	206	186	163	141	134	109	78
S10S - 215/06	110	150		225	218	195	170	148	140	115	86
S10S - 215/07RR	130	175		242	236	214	189	165	156	126	90
S10S - 215/07R	130	175		252	246	222	195	171	162	33	99
S10S - 215/07	130	175		267	258	232	203	178	169	140	107
S10S - 215/08RR	150	200		281	273	248	218	191	181	148	106
S10S - 215/08R	150	200	286	282	255	225	197	186	153	114	
S10S - 215/08	150	200	308	295	265	232	204	194	161	12.4	
S10S - 215/09RR	170	225	319	311	281	249	218	206	169	124	
S10S - 215/09R	170	225	330	321	290	255	224	213	175	132	
S10S - 215/09	170	225	344	335	300	263	231	219	183	140	
S10S - 215/10RR	187	250	355	346	314	277	242	230	183	138	
S10S - 215/10R	187	250	367	356	322	283	248	235	195	146	
S10S - 215/10	187	250	381	370	338	291	256	245	201	156	
S10S - 215/11	220	300	425	414	373	327	290	275	230	179	

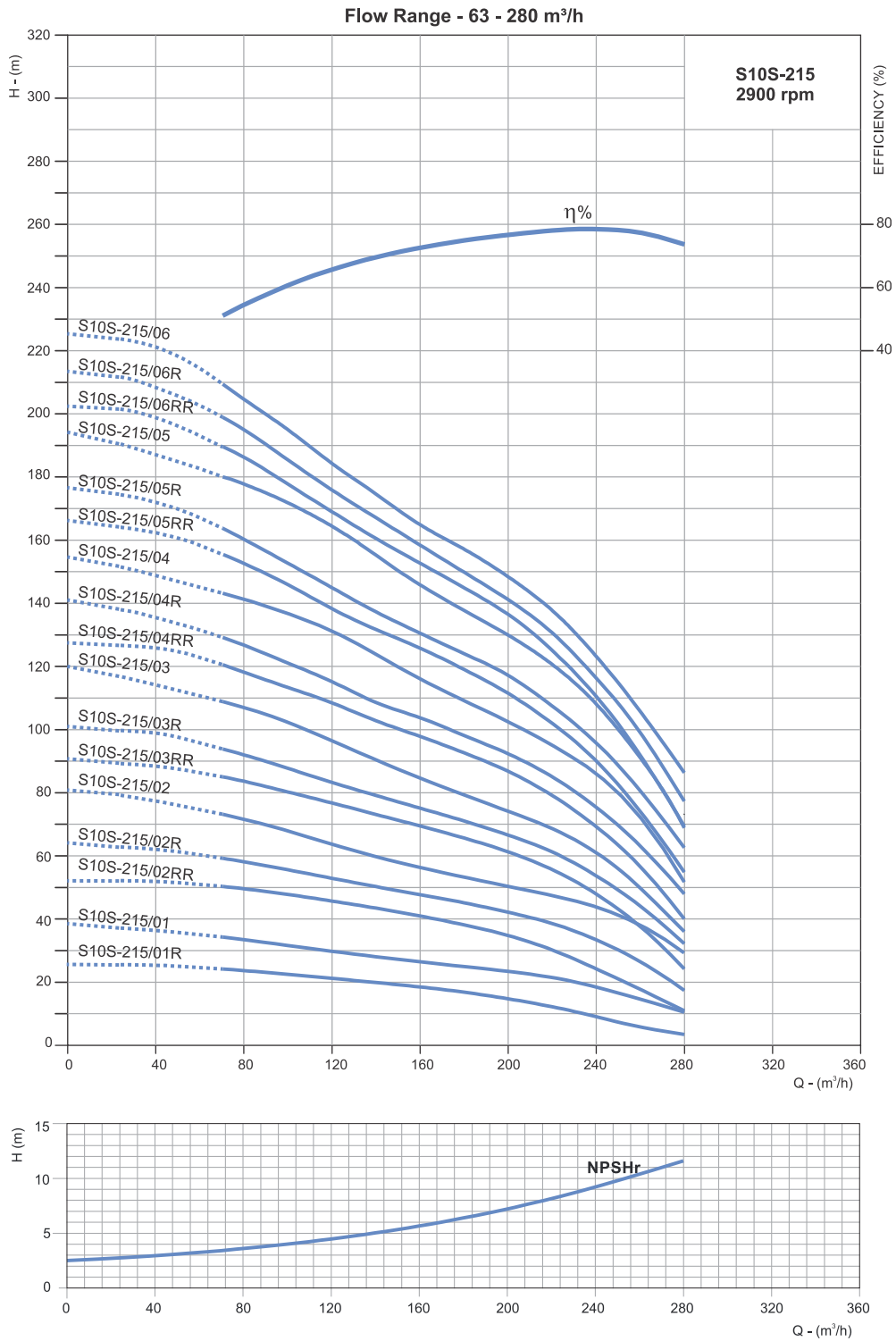
# STAINLESS STEEL SERIES

Nominal Diameter : **10"**

Nominal Flow : **215m<sup>3</sup>/h**

Outlet Size : **6"**

## Performance Curves



Performance curve tolerances are as per HI : 14.6 / ISO : 9906, Grade 3B.

In view of continuous developments, the informations / descriptions / specifications / illustrations are subject to change without notice.

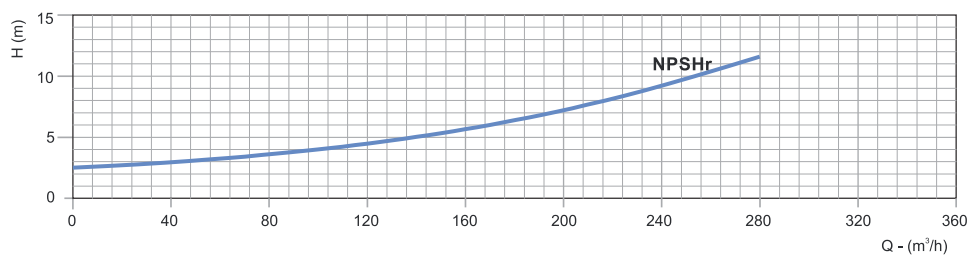
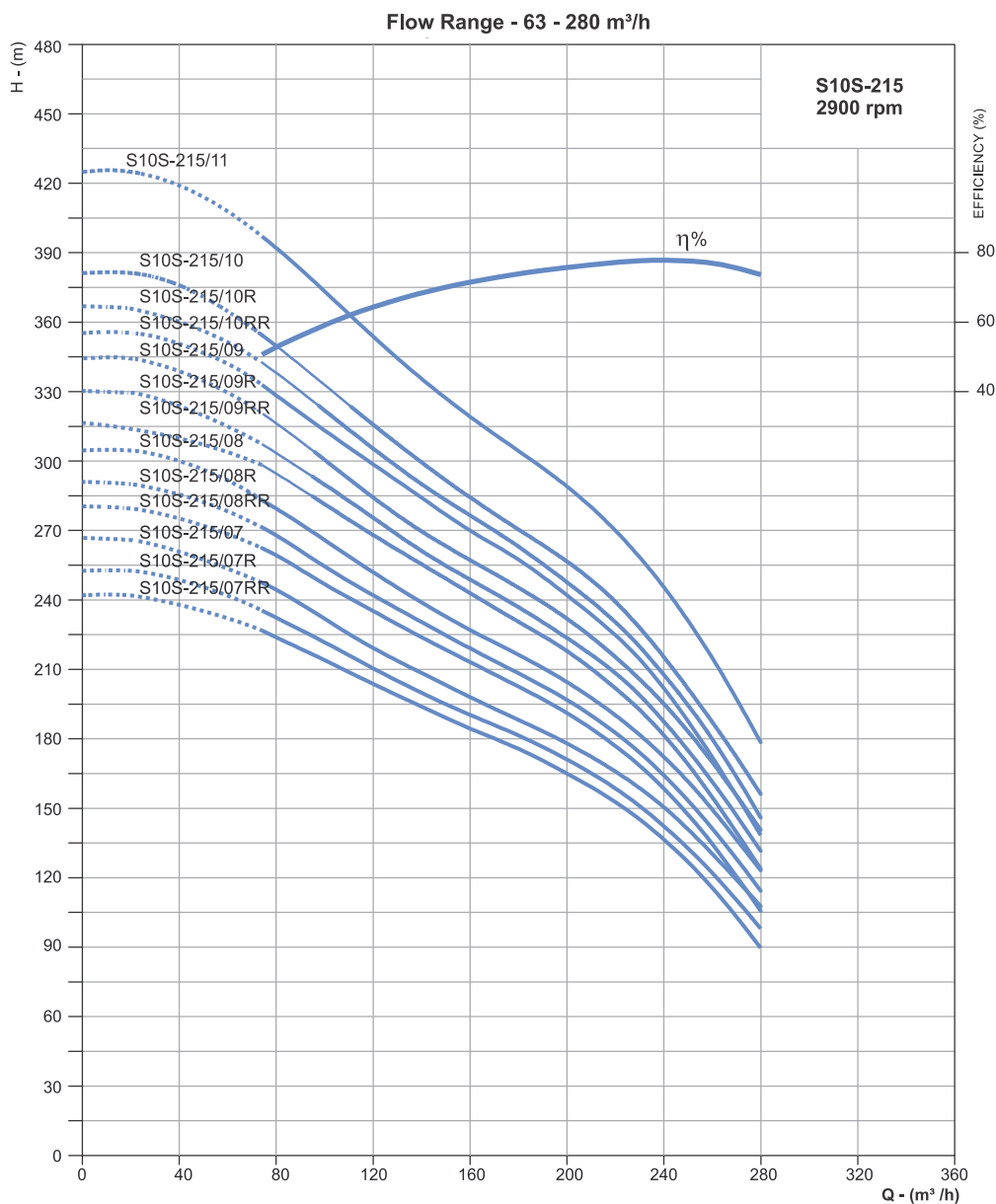
# STAINLESS STEEL SERIES

Nominal Diameter : **10"**

Nominal Flow : **215m<sup>3</sup>/h**

Outlet Size : **6"**

## Performance Curves



Performance curve tolerances are as per HI : 14.6 / ISO : 9906, Grade 3B.

In view of continuous developments, the informations / descriptions / specifications / illustrations are subject to change without notice.

# SILVER LINE SERIES



# Submersible Pumps

## SILVER LINE SERIES

C.R.I. Silver line series pumps are designed for pumping liquid from deep wells. These pumps are of multistage centrifugal type supplied with radial or mixed flow engineering thermoplastic impellers and diffusers for higher head and flow requirements. All the metal and non-metal components that come into contact with the liquid are made of stainless steel and food grade engineering thermoplastic. The optimized hydraulic design offers maximum efficiency at deeper installations. Floating impeller design can handle little higher sand than the normal pump and reduce the down thrust load that is transferred to motor. These pumps are offered in P and V type construction suitable for 4" and above diameter borewells. In "P" type construction, suction inter connector and check valve housings are supplied in stainless steel material and "V" type pumps are offered with nylon. All mounting dimensions are in accordance with NEMA standards.

### Design Features :

- High efficiency
- Wide hydraulic ranges
- Floating impeller design
- Stainless steel suction inter connector and non-return valve

### Applications :

- Ground water supply to residences and commercial buildings
- Agriculture
- Pressure boosting system
- Fountains
- Gardens
- Landscaping
- Livestock watering

# SILVER LINE SERIES

## Pumped Liquids

Clear, Thin, Non-aggressive, Non explosive, Clear, Cold, Fresh Water without abrasives, Solid particles or fibre having the following characteristics

a)	Temperature	35 °C (max.)
b)	Permissible amount of sand	50 g/m <sup>3</sup> (max.)
c)	Chlorine ion density	500 ppm (max.)
d)	Allowable solids	100 ppm (max.)
e)	Specific gravity	1.004 (max.)
f)	Hardness (Drinking water)	300 (max.)
g)	Kinematic viscosity	1 mm <sup>2</sup> /s (1cSt) (max.)
h)	Turbidity	50 ppm silica scale(max.)
i)	pH	6.5 to 8.5

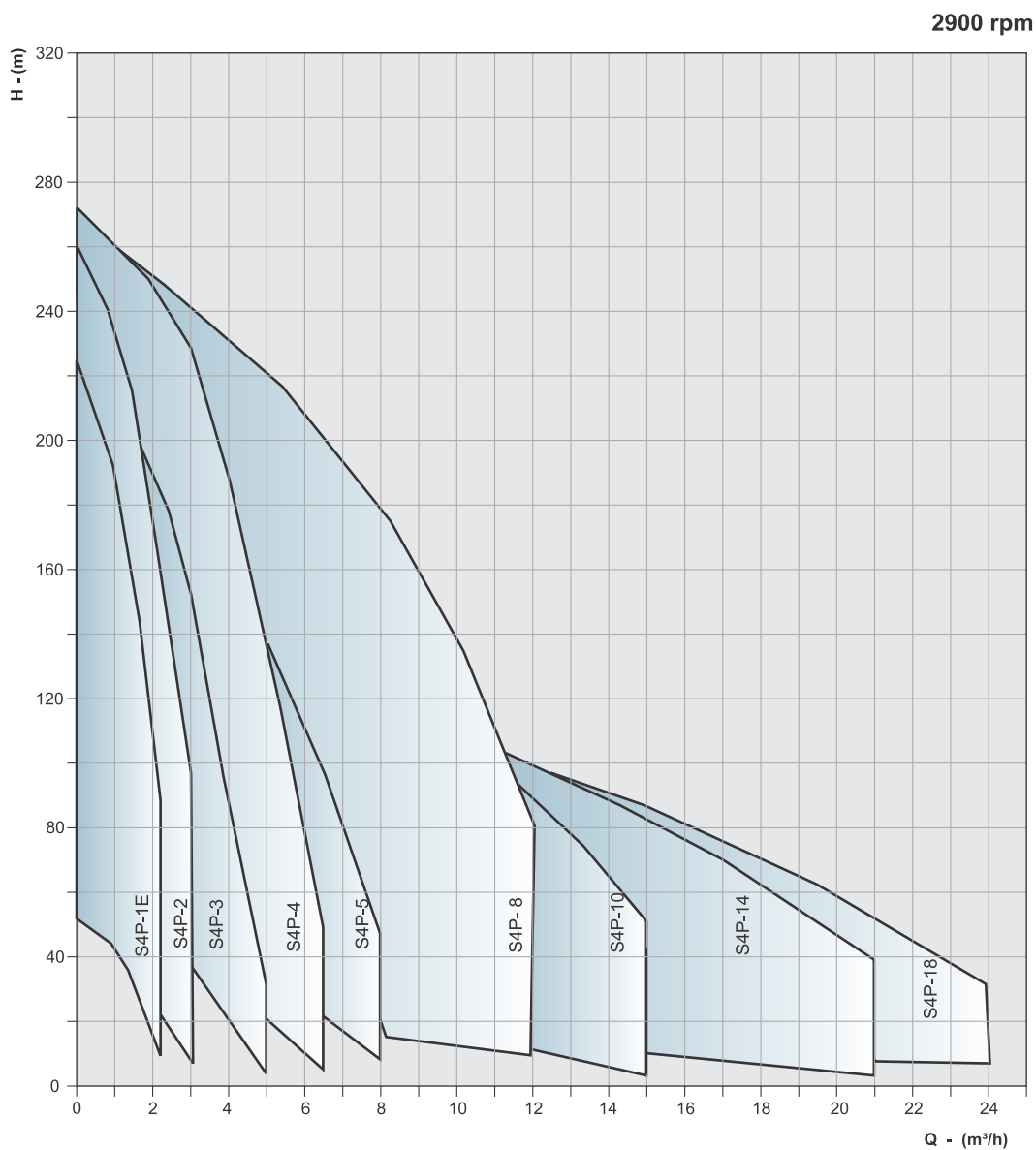
Pump Operating Limitations		
Nominal Diameter		4"(100mm)
Power Range		0.37 - 7.5 kW
Speed		2900 rpm
Discharge Range	m <sup>3</sup> /h	0.75 - 24
	lps	0.20 - 6.66
Total Head Range	m	4.0 - 250
	ft	13.0 - 820
Outlet Size in Inches		1¼, 1½ & 2

### Maximum Temperature of Pumped Liquid

Motor	Minimum cooling flow along the motor	Vertical installation	Horizontal installation minimum 30° angle
3" & 4"	0.15 m/s	35°C	35°C

# SILVER LINE SERIES

## Group Performance Curves - 4" (Floating Impeller Designs)



Performance curve tolerances are as per HI : 14.6 / ISO : 9906, Grade 3B.

In view of continuous developments, the informations / descriptions / specifications / illustrations are subject to change without notice.



# SILVER LINE SERIES

## Material of Construction

PART NAME	MATERIAL - (S4P)		
	EUROPEAN	DIN	AISI/SAE
Check valve Housing / Suction inter Connector	X5CrNi 18 9	1.4308	ASTM A743 CF8
Check valve	Delrin	Delrin	Delrin
Check valve seat	Standard - NBR (Buna - N)	Standard - NBR (Buna - N)	Standard - NBR (Buna - N)
Outer shell	X5CrNi 18 9	1.4301	ASTM A240 AISI 304
Impeller	1E - 5m <sup>3</sup> /h - Delrin 8 - 18m <sup>3</sup> /h - Noryl	1E - 5m <sup>3</sup> /h - Delrin 8 - 18m <sup>3</sup> /h - Noryl	1E - 5m <sup>3</sup> /h - Delrin 8 - 18m <sup>3</sup> /h - Noryl
Diffuser chamber	14m <sup>3</sup> /h - Poly Carbonate Other Models - Noryl	14m <sup>3</sup> /h - Poly Carbonate Other Models - Noryl	14m <sup>3</sup> /h - Poly Carbonate Other Models - Noryl
Intermediate Bearing (sleeve / bush)	1E - 5m <sup>3</sup> /h (upto 1.5kW) - X12Cr13 / Standard - NBR (Buna - N) 1E - 5m <sup>3</sup> /h (Above 2.2kW) - X5CrNi 18 10 / Standard - NBR (Buna - N) 8 - 18m <sup>3</sup> /h - X5CrNi 18 10 / Standard - NBR (Buna - N)	1E - 5m <sup>3</sup> /h (upto 1.5kW) - 1.4006 / Standard - NBR (Buna - N) 1E - 5m <sup>3</sup> /h (Above 2.2kW) - 1.4301 / Standard - NBR (Buna - N) 8 - 18m <sup>3</sup> /h - 1.4301 / Standard - NBR (Buna - N)	1E - 5m <sup>3</sup> /h (upto 1.5kW) - ASTM A276 AISI 410 1E - 5m <sup>3</sup> /h (Above 2.2kW) - ASTM A276 AISI 304 8 - 18m <sup>3</sup> /h - ASTM A276 AISI 304
Inlet screen	X5CrNi 18 9	1.4301	ASTM A240 AISI 304
Pump shaft	1E - 5m <sup>3</sup> /h (upto 1.5kW) - X12Cr13 1E - 5m <sup>3</sup> /h (Above 2.2kW) - X5CrNi 18 10 8 - 18m <sup>3</sup> /h - X5CrNi 18 10	1E - 5m <sup>3</sup> /h (upto 1.5kW) - 1.4006 1E - 5m <sup>3</sup> /h (Above 2.2kW) - 1.4301 8 - 18m <sup>3</sup> /h - 1.4301	1E - 5m <sup>3</sup> /h (upto 1.5kW) - ASTM A276 AISI 410 1E - 5m <sup>3</sup> /h (Above 2.2kW) - ASTM A276 AISI 304 8 - 18m <sup>3</sup> /h - ASTM A276 AISI 304
Coupling	1E - 5m <sup>3</sup> /h (upto 1.5kW) - X12Cr13 1E - 5m <sup>3</sup> /h (Above 2.2kW) - X5CrNi 18 10 8 - 18m <sup>3</sup> /h - X5CrNi 18 10	1E - 5m <sup>3</sup> /h (upto 1.5kW) - 1.4006 1E - 5m <sup>3</sup> /h (Above 2.2kW) - 1.4301 8 - 18m <sup>3</sup> /h - 1.4301	1E - 5m <sup>3</sup> /h (upto 1.5kW) - ASTM A276 AISI 410 1E - 5m <sup>3</sup> /h (Above 2.2kW) - ASTM A276 AISI 304 8 - 18m <sup>3</sup> /h - ASTM A276 AISI 304
Spline	1E - 5m <sup>3</sup> /h (upto 1.5kW) - NA 1E - 5m <sup>3</sup> /h (Above 2.2kW) - X3CrNiMo 27 5 8 - 18m <sup>3</sup> /h - X3CrNiMo 27 5	1E - 5m <sup>3</sup> /h (upto 1.5kW) - NA 1E - 5m <sup>3</sup> /h (Above 2.2kW) - 1.4460 8 - 18m <sup>3</sup> /h - 1.4460	1E - 5m <sup>3</sup> /h (upto 1.5kW) - NA 1E - 5m <sup>3</sup> /h (Above 2.2kW) - ASTM A276 AISI 329 8 - 18m <sup>3</sup> /h - ASTM A789 AISI 329
Cable guard	X5CrNi 18 9	1.4301	ASTM A240 AISI 304

DELTRIN is Registered Trade Mark of Dupont.

\*NORYL and \*\*LEXAN are Registered Trade Mark of SABIC.

In view of continuous developments, the informations / descriptions / specifications / illustrations are subject to change without notice.

# SILVER LINE SERIES

## Material of Construction

PART NAME	MATERIAL - (S4V) - 1E to 5m <sup>3</sup> /h & upto 1.5 kW		
	EUROPEAN	DIN	AISI / SAE
Check valve Housing / Suction inter Connector	Nylon-6 (Polyamide)	Nylon-6 (Polyamide)	Nylon-6 (Polyamide)
Check valve	Delrin	Delrin	Delrin
Check valve seat	Standard - NBR (Buna - N)	Standard - NBR (Buna - N)	Standard - NBR (Buna - N)
Outer shell	X5CrNi 18 9	1.4301	ASTM A240 AISI 304
Impeller	1E - 5m <sup>3</sup> /h - Delrin	1E - 5m <sup>3</sup> /h - Delrin	1E - 5m <sup>3</sup> /h - Delrin
Diffuser chamber	Noryl	Noryl	Noryl
Intermediate Bearing (Sleeve / Bush)	1E - 5m <sup>3</sup> /h - X12Cr13 / Standard - NBR (Buna - N)	1E - 5m <sup>3</sup> /h - 1.4006 / Standard - NBR (Buna - N)	Standard - NBR (Buna - N)
Inlet screen	X5CrNi 18 9	1.4301	ASTM A240 AISI 304
Pump shaft	1E - 5m <sup>3</sup> /h - X12Cr13	1E - 5m <sup>3</sup> /h - 1.4006	1E - 5m <sup>3</sup> /h - ASTM A276 AISI 410
Coupling	1E - 5m <sup>3</sup> /h - X12Cr13	1E - 5m <sup>3</sup> /h - 1.4006	1E - 5m <sup>3</sup> /h - ASTM A276 AISI 410
Spline	1E - 5m <sup>3</sup> /h - NA	1E - 5m <sup>3</sup> /h - NA	1E - 5m <sup>3</sup> /h - NA
Locking Strap	X5CrNi 18 9	1.4301	ASTM A240 AISI 304
Cable guard	X5CrNi 18 9	1.4301	ASTM A240 AISI 304

DELTRIN is Registered Trade Mark of Dupont.

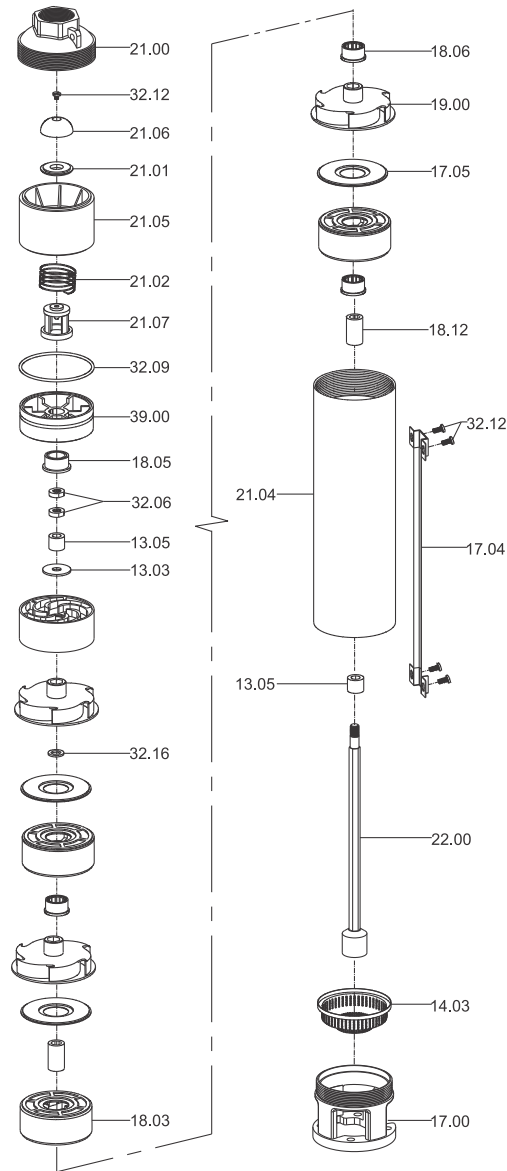
\*NORYL and \*\*LEXAN are Registered Trade Mark of SABIC.

In view of continuous developments, the informations / descriptions / specifications / illustrations are subject to change without notice.

# SILVER LINE SERIES

## Exploded View

S4P (1E-5m<sup>3</sup>/h)



Part No.	Part Name
13.03	Upthrust Washer / Stop Ring
13.05	Sleeve
14.03	Inlet Screen
17.00	Suction Inter-Connector
17.04	Cable Guard
17.05	Diffuser Plate
18.03	Diffuser Chamber
18.05	Bush - CT Pad

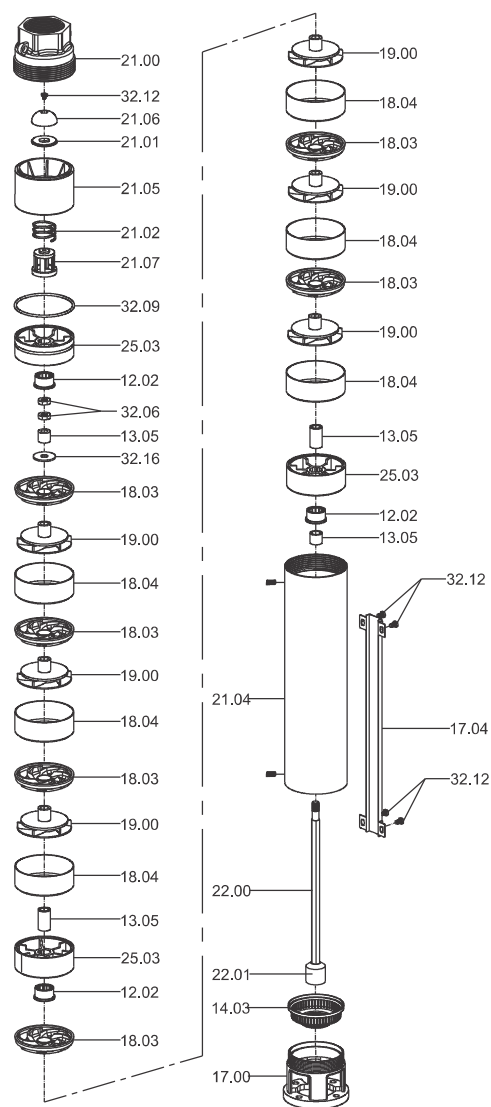
Part No.	Part Name
18.06	Bush-Diffuser Chamber
18.12	Spacer Sleeve
19.00	Impeller
21.00	Check Valve Housing
21.01	Check Valve Seat
21.02	Check Valve Spring
21.04	Outer Shell
21.05	Check Valve Bracket

Part No.	Part Name
21.06	Check Valve Disc
21.07	Check valve
22.00	Pump Shaft with Coupling
32.06	Lock Nut
32.09	O-Ring
32.12	Screw
32.16	Washer
39.00	Chamber-Bracket

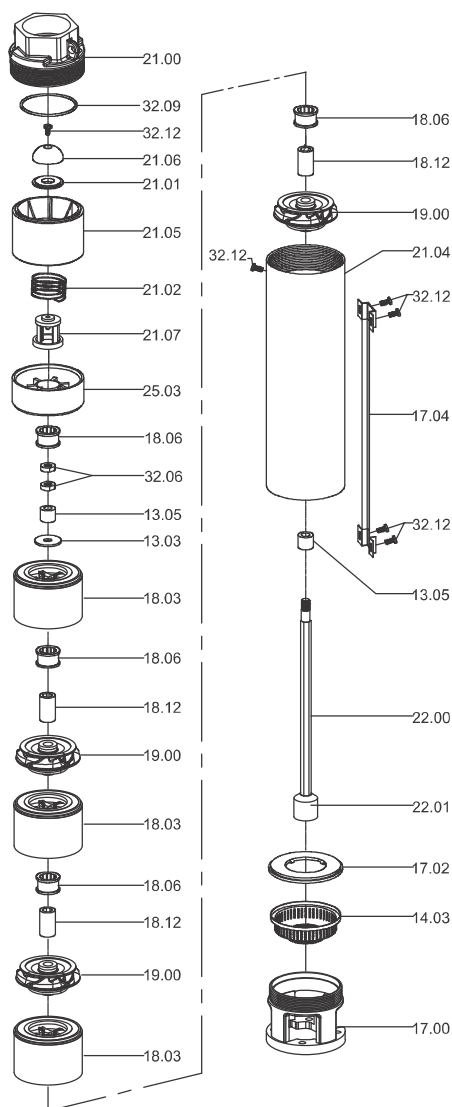
# SILVER LINE SERIES

## Exploded View

**S4P - 8m<sup>3</sup>/h**



**S4P - 10m<sup>3</sup>/h**



Part No.	Description
12.02	Bush-LTB
13.05	Sleeve
14.03	Strainer
17.00	Suction Inter Connector
17.04	Cable Guard
18.03	Diffuser
18.04	Chamber Cover

Part No.	Description
19.00	Impeller
21.00	Valve Housing
21.01	Valve Seat
21.02	Valve Spring
21.04	Pump Shell
21.05	Valve Bracket
21.06	Valve Disc

Part No.	Description
21.07	Valve
22.00	Pump Shaft
22.01	Coupling
25.03	Bracket
32.06	Lock Nut
32.09	O-Ring
32.12	Screw
32.16	Washer

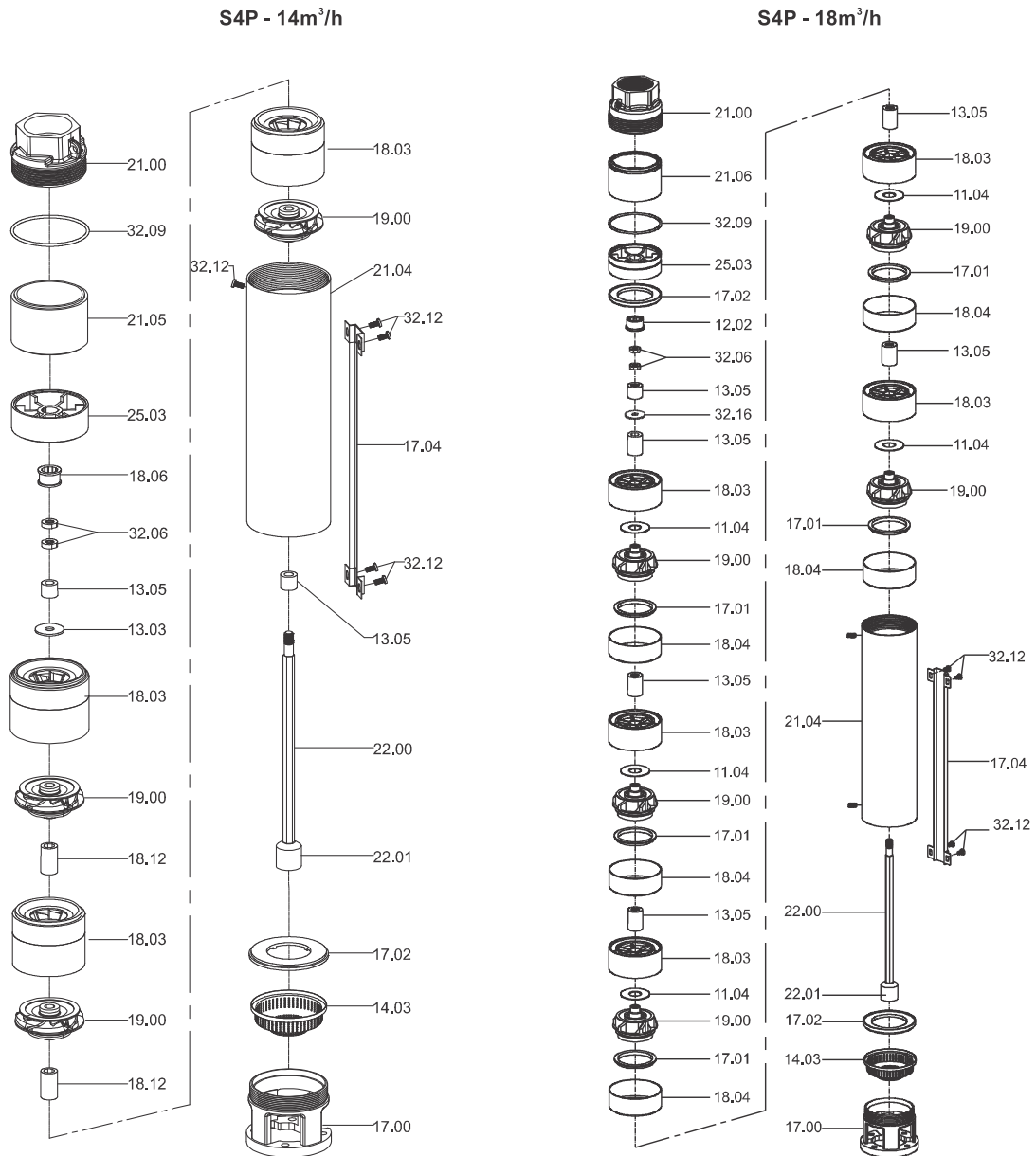
Part No.	Description
13.03	Up Thrust Washer
13.05	Sleeve
14.03	Strainer
17.00	Suction Inter Connector
17.02	Suction inter Connector plate
17.04	Cable Guard

Part No.	Description
18.03	Diffuser
18.06	Bush=Rubber
18.12	Spacer
19.00	Impeller
21.00	Valve Housing
21.01	Valve Seat
21.02	Valve Spring
21.04	Pump Shell
21.05	Valve Bracket

Part No.	Description
21.06	Valve Disc
21.07	Suction valve
22.00	Pump Shaft
22.01	Coupling
25.03	Bracket
32.06	Lock Nut
32.12	Screw
32.09	O Ring

# SILVER LINE SERIES

## Exploded View



**S4P-14 & 18 models are not equipped with internal check valve, so external check valve must be fitted to the pump outlet to avoid back spin and water hammer effect.**

Part No.	Description
12.02	Bush-LTB
13.03	Up Thrust Washer
13.05	Sleeve
14.03	Strainer
17.00	Suction Inter Connector
17.04	Cable Guard
11.04	Thrust Pad
18.03	Diffuser
17.01	Wearing Ring

Part No.	Description
18.12	Spacer
19.00	Impeller
21.00	Valve Housing
21.01	Valve Seat
21.02	Valve Spring
21.04	Pump Shell
21.05	Valve Bracket
21.06	Valve Disc
18.04	Chamber Cover

Part No.	Description
21.07	Valve
22.00	Pump Shaft
22.01	Coupling
25.03	Bracket
32.06	Lock Nut
32.09	O-Ring
32.12	Screw
32.16	Washer
17.02	Suction Inter Connector Plate



# SILVER LINE SERIES

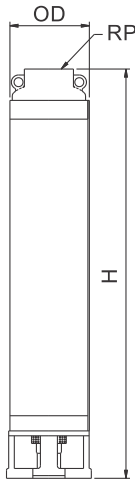
## FLOATING IMPELLER MODEL

Nominal Diameter : **4**

Nominal Flow : **1.5m<sup>3</sup>/h**

Outlet Size : **1¼"**

### Dimensions & Weight Data



PUMP MODEL	POWER		DIMENSIONS (mm)			NET WEIGHT (kg)
	kW	HP	OD	RP	H	
S4P-1E/08	0.37	0.5	98	32	414	3
S4P-1E/13	0.55	0.75	98	32	524	4
S4P-1E/17	0.75	1	98	32	654	5
S4P-1E/18	0.75	1	98	32	679	5
S4P-1E/25	1.1	1.5	98	32	860	9
S4P-1E/26	1.1	1.5	98	32	882	9
S4P-1E/33	1.5	2	98	32	1036	12
S4P-1E/34	1.5	2	98	32	1058	12

### Performance Table

PUMP MODEL	POWER (kW)	lps	0	0.20	0.27	0.34	0.41	0.48	0.55
		m <sup>3</sup> /h	0	0.75	1.0	1.25	1.50	1.75	2.0
S4P-1E/08	0.37	HEAD (m)	54	46	42	38	32	24	15
S4P-1E/13	0.55		89	78	75	70	61	50	38
S4P-1E/17	0.75		116	101	94	84	73	59	43
S4P-1E/18	0.75		122	111	102	93	81	67	49
S4P-1E/25	1.1		166	148	135	118	101	81	59
S4P-1E/26	1.1		177	156	143	127	109	89	68
S4P-1E/33	1.5		220	199	179	160	136	112	88
S4P-1E/34	1.5		226	202	188	172	149	124	98

In view of continuous developments, the informations / descriptions / specifications / illustrations are subject to change without notice.

# SILVER LINE SERIES

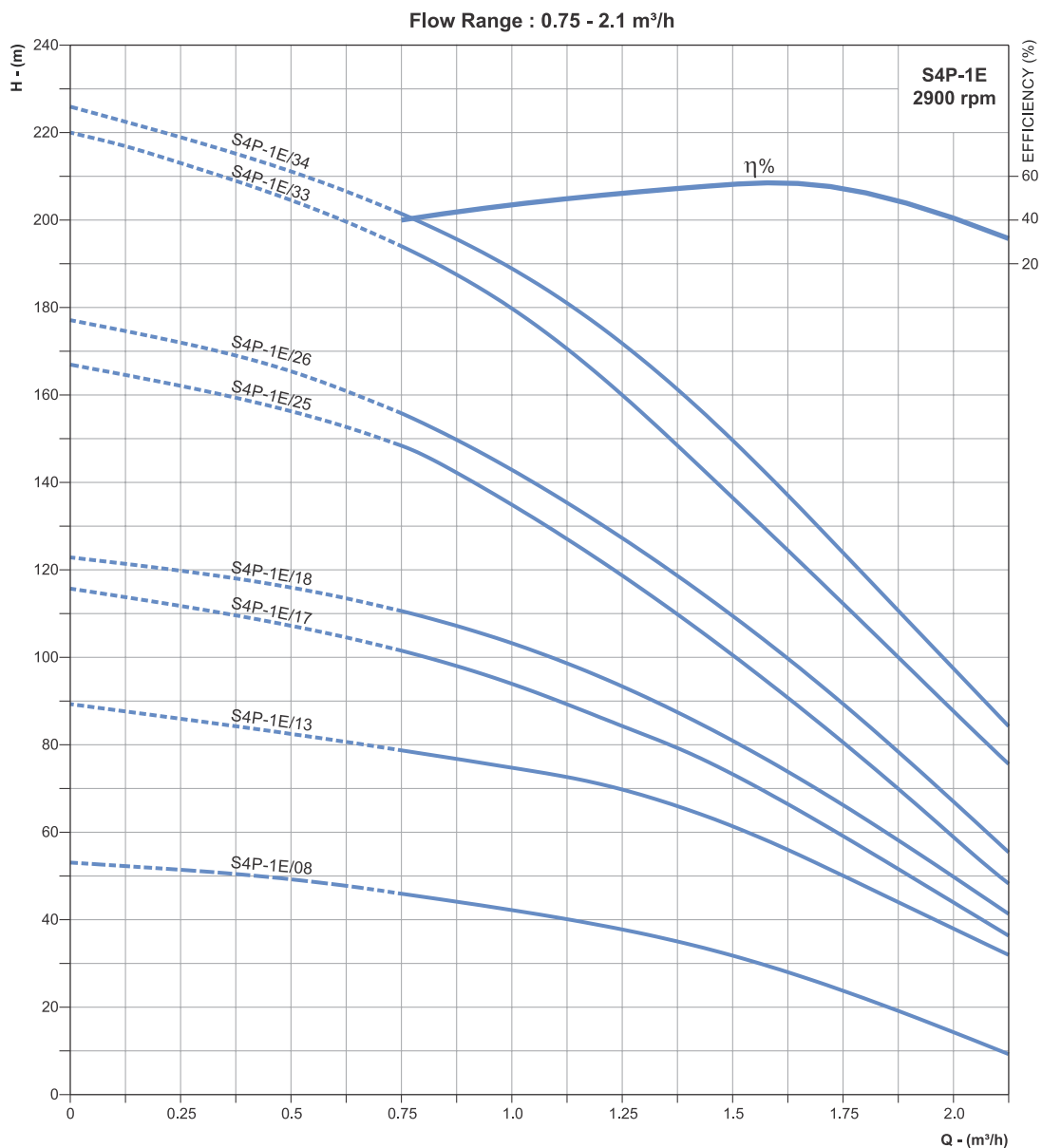
## FLOATING IMPELLER MODEL

Nominal Diameter : **4"**

Nominal Flow : **1.5m<sup>3</sup>/h**

Outlet Size : **1 1/4"**

### Performance Curves



Performance curve tolerances are as per HI : 14.6 / ISO : 9906, Grade 3B.

In view of continuous developments, the informations / descriptions / specifications / illustrations are subject to change without notice.



# SILVER LINE SERIES

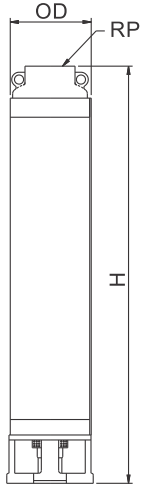
## FLOATING IMPELLER MODEL

Nominal Diameter : **4"**

Nominal Flow : **2m<sup>3</sup>/h**

Outlet Size : **1¼"**

Dimensions & Weight Data



PUMP MODEL	POWER		DIMENSIONS (mm)			NET WEIGHT (kg)
	kW	HP	OD	RP	H	
S4P-2/05	0.37	0.5	98	32	354	3
S4P-2/07	0.55	0.75	98	32	400	3
S4P-2/11	0.75	1	98	32	493	4
S4P-2/16	1.1	1.5	98	32	651	7
S4P-2/22	1.5	2	98	32	790	8
S4P-2/30	2.2	3	98	32	1006	11

Performance Table

PUMP MODEL	POWER (kW)	lps	0	0.27	0.41	0.55	0.69	0.83
		m <sup>3</sup> /h	0	1.0	1.5	2.0	2.5	3.0
S4P-2/05	0.37	HEAD (m)	44	40	38	31	25	13
S4P-2/07	0.55		62	59	52	45	34	22
S4P-2/11	0.75		98	90	82	70	53	35
S4P-2/16	1.1		143	131	119	100	78	48
S4P-2/22	1.5		194	172	153	129	100	65
S4P-2/30	2.2		260	232	209	172	135	92

# SILVER LINE SERIES

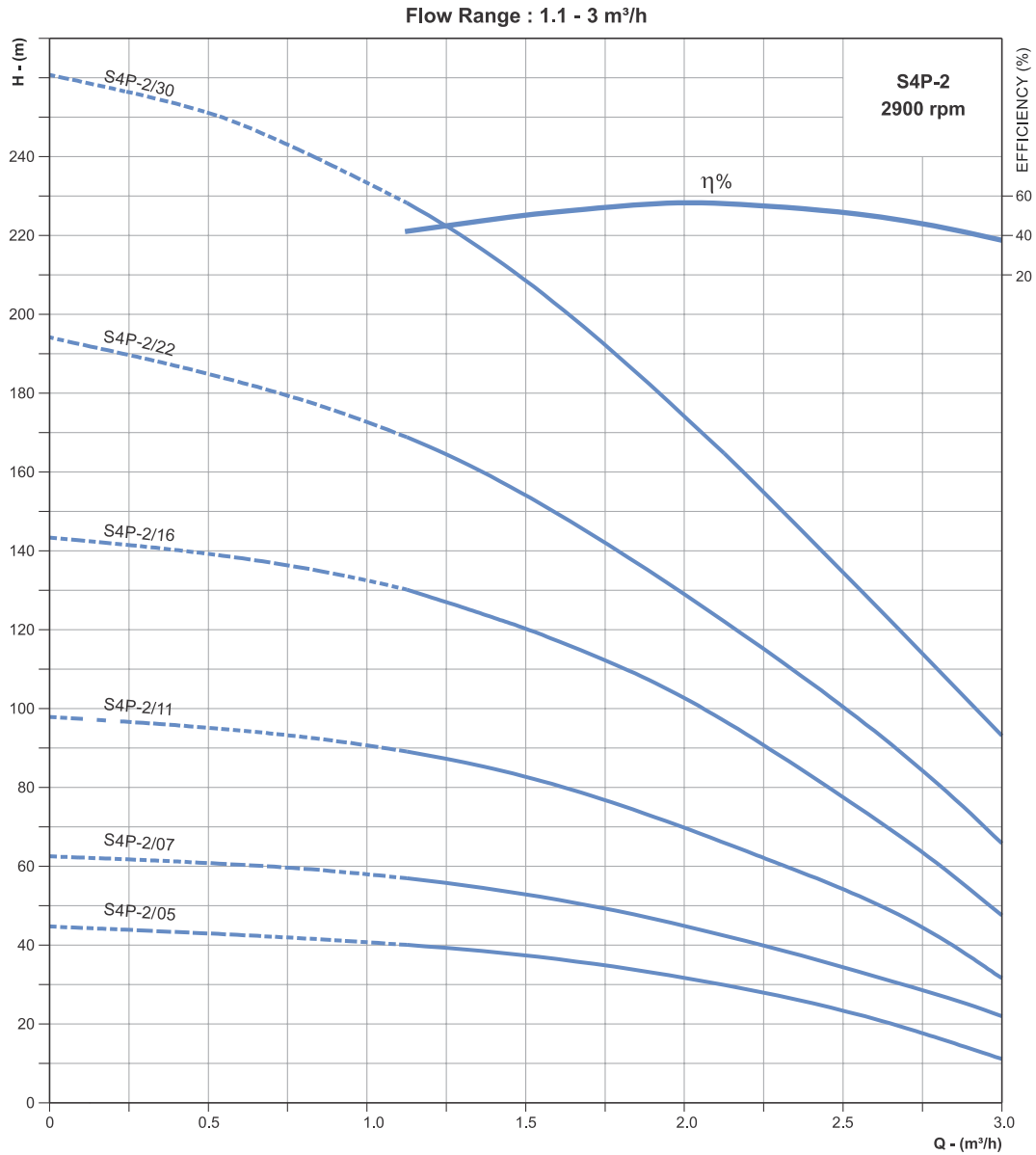
## FLOATING IMPELLER MODEL

Nominal Diameter : **4"**

Nominal Flow : **2m<sup>3</sup>/h**

Outlet Size : **1 1/4"**

### Performance Curves



Performance curve tolerances are as per HI : 14.6 / ISO : 9906, Grade 3B.

In view of continuous developments, the informations / descriptions / specifications / illustrations are subject to change without notice.

# SILVER LINE SERIES

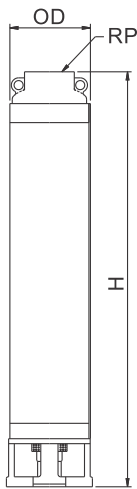
## FLOATING IMPELLER MODEL

Nominal Diameter : **4"**

Nominal Flow : **3m<sup>3</sup>/h**

Outlet Size : **1 1/4"**

Dimensions & Weight Data



PUMP MODEL	POWER		DIMENSIONS (mm)			NET WEIGHT (kg)
	kW	HP	OD	RP	H	
S4P-3/07	0.55	0.75	98	32	426	3
S4P-3/08	0.55	0.75	98	32	453	3
S4P-3/11	0.75	1	98	32	533	4
S4P-3/15	1.1	1.5	98	32	671	5
S4P-3/20	1.5	2	98	32	818	8
S4P-3/21	1.5	2	98	32	844	8
S4P-3/28	2.2	3	98	32	1063	11
S4P-3/30	2.2	3	98	32	1117	12

Performance Table

PUMP MODEL	POWER (kW)	lps	0	0.55	0.69	0.83	0.97	1.11	1.25
		m <sup>3</sup> /h	0	2.0	2.5	3.0	3.5	4.0	4.5
S4P-3/07	0.55	HEAD (m)	52	42	38	33	26	18	10
S4P-3/08	0.55		59	52	45	39	31	22	13
S4P-3/11	0.75		80	70	62	54	45	34	22
S4P-3/15	1.1		111	98	88	77	63	48	30
S4P-3/20	1.5		150	128	116	101	82	61	38
S4P-3/21	1.5		157	133	121	107	86	63	40
S4P-3/28	2.2		208	177	161	141	115	88	55
S4P-3/30	2.2		221	190	172	151	125	96	62

# SILVER LINE SERIES

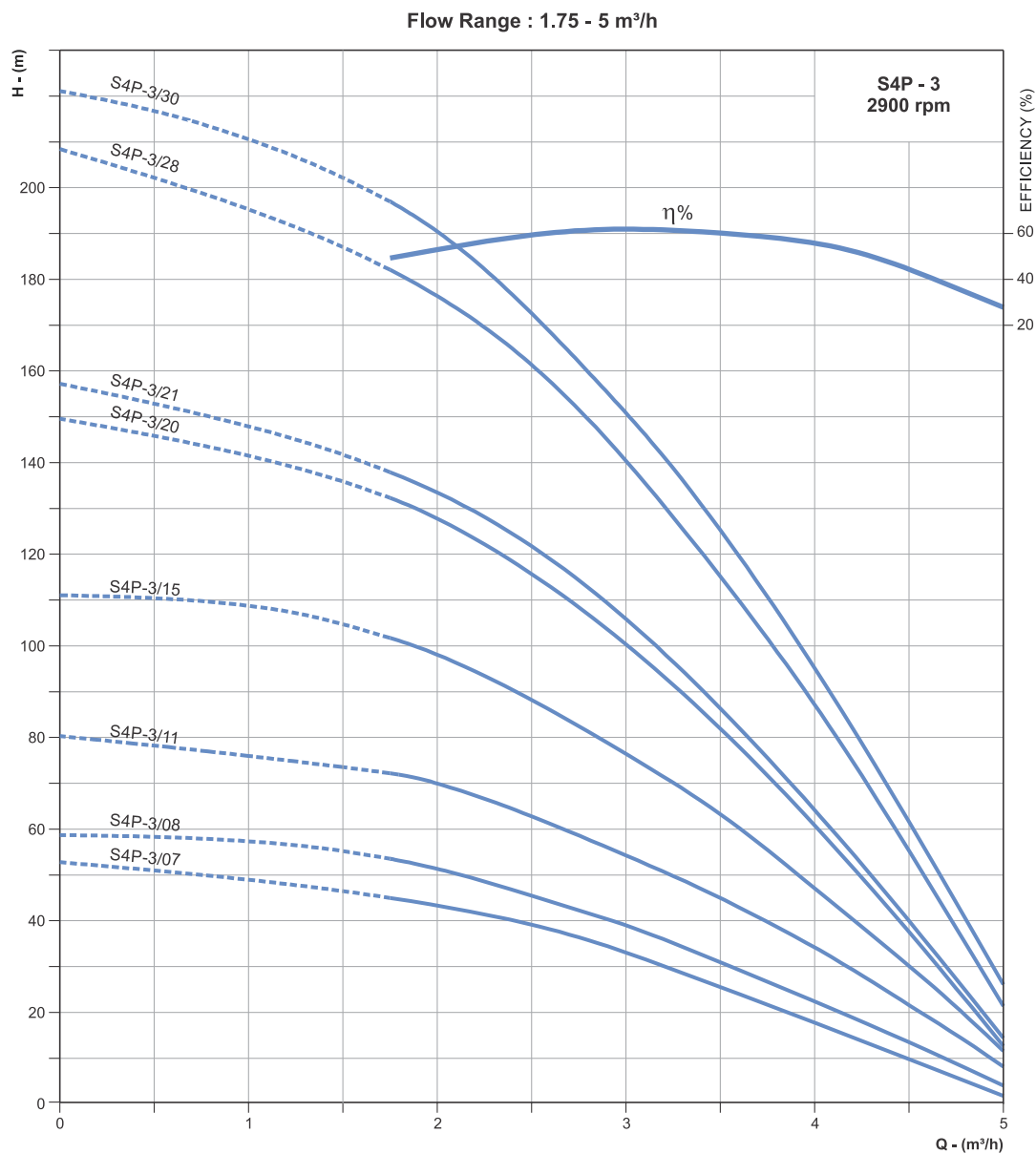
## FLOATING IMPELLER MODEL

Nominal Diameter : **4"**

Nominal Flow : **3m<sup>3</sup>/h**

Outlet Size : **1 1/4"**

### Performance Curves



Performance curve tolerances are as per HI : 14.6 / ISO : 9906, Grade 3B.

In view of continuous developments, the informations / descriptions / specifications / illustrations are subject to change without notice.

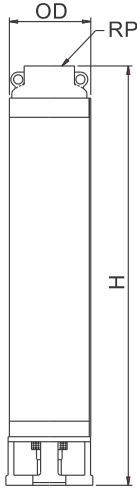
# SILVER LINE SERIES

## FLOATING IMPELLER MODEL

Nominal Diameter : **4"**

Nominal Flow : **4m<sup>3</sup>/h**

Outlet Size : **1 1/4"**



**Dimensions & Weight Data**

PUMP MODEL	POWER		DIMENSIONS (mm)			NET WEIGHT (kg)
	kW	HP	OD	RP	H	
S4P-4/05	0.55	0.75	98	32	383	2
S4P-4/06	0.55	0.75	98	32	412	2
S4P-4/07	0.75	1	98	32	441	3
S4P-4/10	1.1	1.5	98	32	528	4
S4P-4/11	1.1	1.5	98	32	557	4
S4P-4/14	1.5	2	98	32	674	6
S4P-4/15	1.5	2	98	32	703	6
S4P-4/20	2.2	3	98	32	860	8
S4P-4/22	2.2	3	98	32	918	9
S4P-4/27	3	4	98	32	1093	11
S4P-4/35	3.7	5	98	32	1325	14

**Performance Table**

PUMP MODEL	POWER (kW)	lps	0	0.55	0.83	1.11	1.39	1.66	1.80
		m <sup>3</sup> /h	0	2	3	4	5	6	6.5
S4P-4/05	0.55	HEAD (m)	38	32	28	22	15	8	4
S4P-4/06	0.55		46	40	37	31	21	12	8
S4P-4/07	0.75		54	49	44	37	25	14	9
S4P-4/10	1.1		79	69	62	51	39	22	16
S4P-4/11	1.1		86	77	72	61	47	29	20
S4P-4/14	1.5		110	99	89	73	55	35	26
S4P-4/15	1.5		118	108	96	79	60	38	28
S4P-4/20	2.2		158	141	128	110	82	49	34
S4P-4/22	2.2		185	165	148	128	98	58	40
S4P-4/27	3		210	198	183	159	120	71	44
S4P-4/35	3.7		270	248	228	192	140	81	49

In view of continuous developments, the informations / descriptions / specifications / illustrations are subject to change without notice.

# SILVER LINE SERIES

## FLOATING IMPELLER MODEL

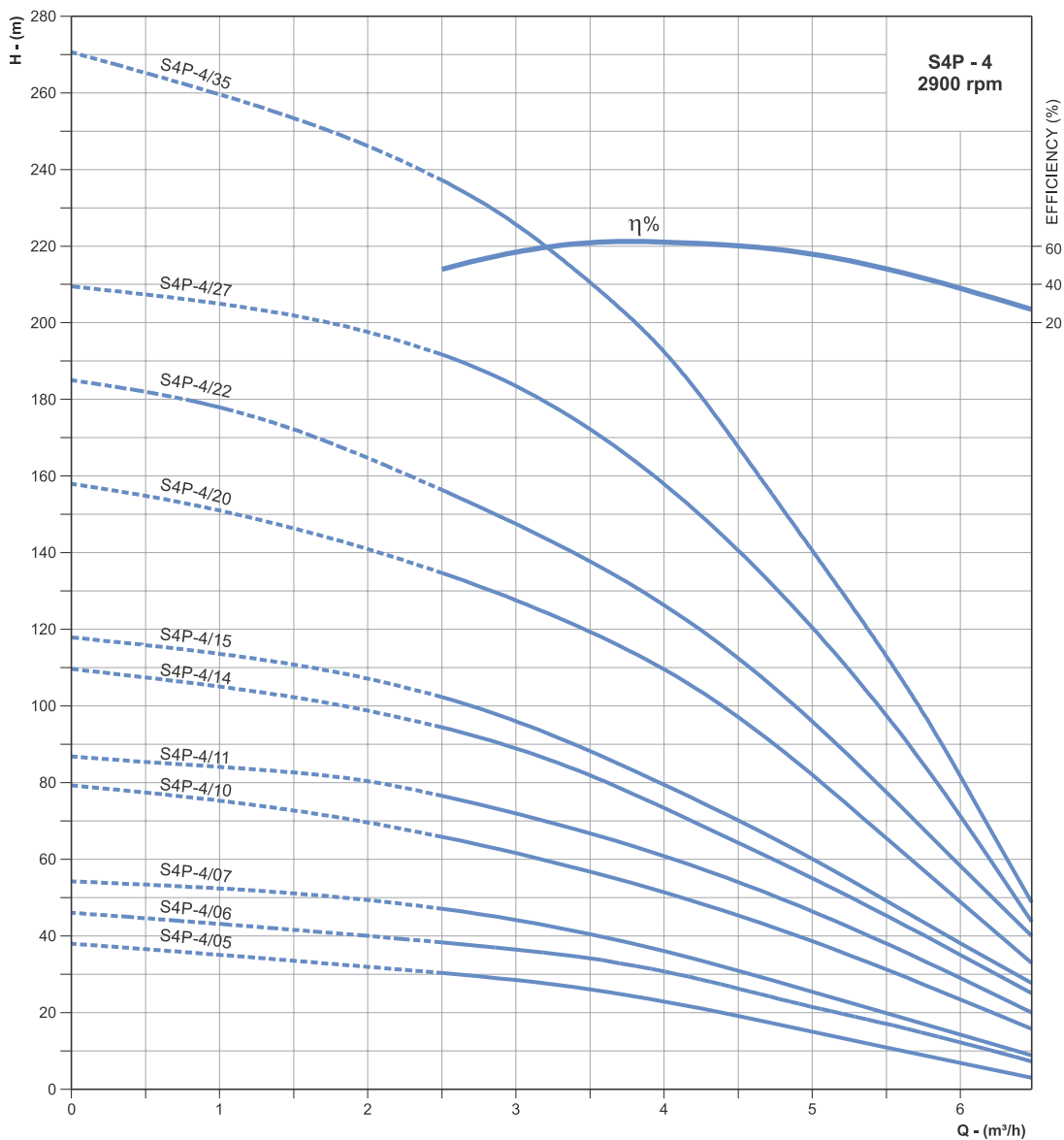
Nominal Diameter : **4"**

Nominal Flow : **4m<sup>3</sup>/h**

Outlet Size : **1 1/4"**

### Performance Curves

Flow Range : 2.5 - 6.5 m<sup>3</sup>/h



Performance curve tolerances are as per HI : 14.6 / ISO : 9906, Grade 3B.

In view of continuous developments, the informations / descriptions / specifications / illustrations are subject to change without notice.

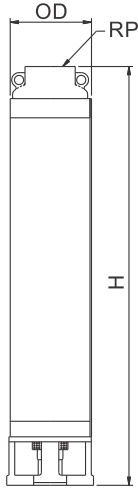
# SILVER LINE SERIES

## FLOATING IMPELLER MODEL

Nominal Diameter : **4"**

Nominal Flow : **5m<sup>3</sup>/h**

Outlet Size : **1½"**



**Dimensions & Weight Data**

PUMP MODEL	POWER		DIMENSIONS (mm)			NET WEIGHT (kg)
	kW	HP	OD	RP	H	
S4P-5/06	0.75	1	98	40	459	3
S4P-5/08	1.1	1.5	98	40	533	3
S4P-5/09	1.1	1.5	98	40	570	4
S4P-5/11	1.5	2	98	40	643	4
S4P-5/12	1.5	2	98	40	680	9
S4P-5/17	2.2	3	98	40	907	7
S4P-5/21	3.0	4	98	40	1054	8
S4P-5/27	3.7	5	98	40	1306	11

**Performance Table**

PUMP MODEL	POWER (kW)	HEAD (m)	lps	0	0.83	1.11	1.39	1.66	1.94	2.22
			m <sup>3</sup> /h	0	3	4	5	6	7	8
S4P-5/06	0.75			42	39	37	32	27	18	9
S4P-5/08	1.1			58	53	49	42	34	25	15
S4P-5/09	1.1			65	59	55	50	41	31	17
S4P-5/11	1.5			79	72	67	58	48	35	20
S4P-5/12	1.5			86	78	73	65	55	42	25
S4P-5/17	2.2			123	115	105	91	76	57	31
S4P-5/21	3			145	135	126	111	92	70	39
S4P-5/27	3.7			184	163	158	138	116	80	42

# SILVER LINE SERIES

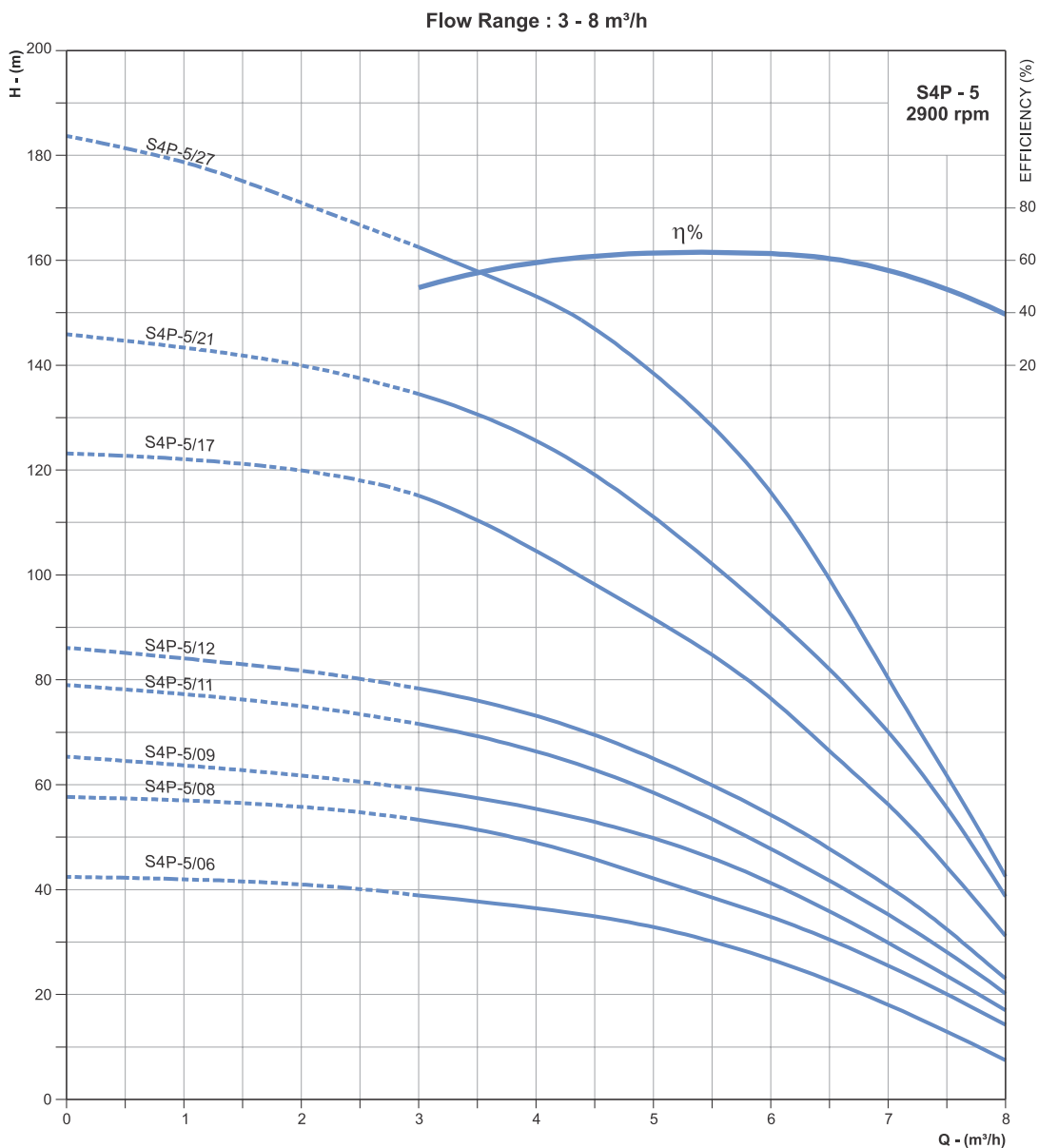
## FLOATING IMPELLER MODEL

Nominal Diameter : **4"**

Nominal Flow : **5m<sup>3</sup>/h**

Outlet Size : **1½"**

### Performance Curves



\* These Models are available in Type - "V" construction as well.

Performance curve tolerances are as per HI : 14.6 / ISO : 9906, Grade 3B.

In view of continuous developments, the informations / descriptions / specifications / illustrations are subject to change without notice.

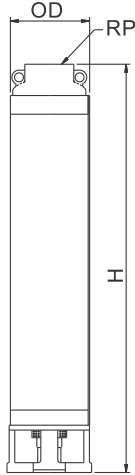


# SILVER LINE SERIES

Nominal Diameter : **4"**

Nominal Flow : **8m<sup>3</sup>/h**

Outlet Size : **2"**



**Dimensions & Weight Data**

PUMP MODEL	POWER		DIMENSIONS (mm)			NET WEIGHT (kg)
	kW	HP	OD	RP	H	
S4P-8/04	0.75	1.0	98	50	374	4
S4P-8/06	1.1	1.5	98	50	436	4
S4P-8/08	1.5	2.0	98	50	498	3
S4P-8/13	2.2	3.0	98	50	653	7
S4P-8/17	3.0	4.0	98	50	807	8
S4P-8/23	4.0	5.5	98	50	993	10
S4P-8/32	5.5	7.5	98	50	1302	13
S4P-8/43	7.5	10	98	50	1643	18

**Performance Table**

PUMP MODEL	POWER (kW)	lps	0	1.11	1.66	2.22	2.78	3.33
		m <sup>3</sup> /h	0	4	6	8	10	12
S4P-8/04	0.75	HEAD (m)	25	21	20	19	14	8
S4P-8/06	1.1		38	35	32	28	22	13
S4P-8/08	1.5		51	48	45	40	31	20
S4P-8/13	2.2		82	72	69	61	48	29
S4P-8/17	3.0		108	101	96	85	69	43
S4P-8/23	4.0		143	132	122	109	88	52
S4P-8/32	5.5		200	182	168	148	116	68
S4P-8/43	7.5		270	242	221	193	149	88

In view of continuous developments, the informations / descriptions / specifications / illustrations are subject to change without notice.

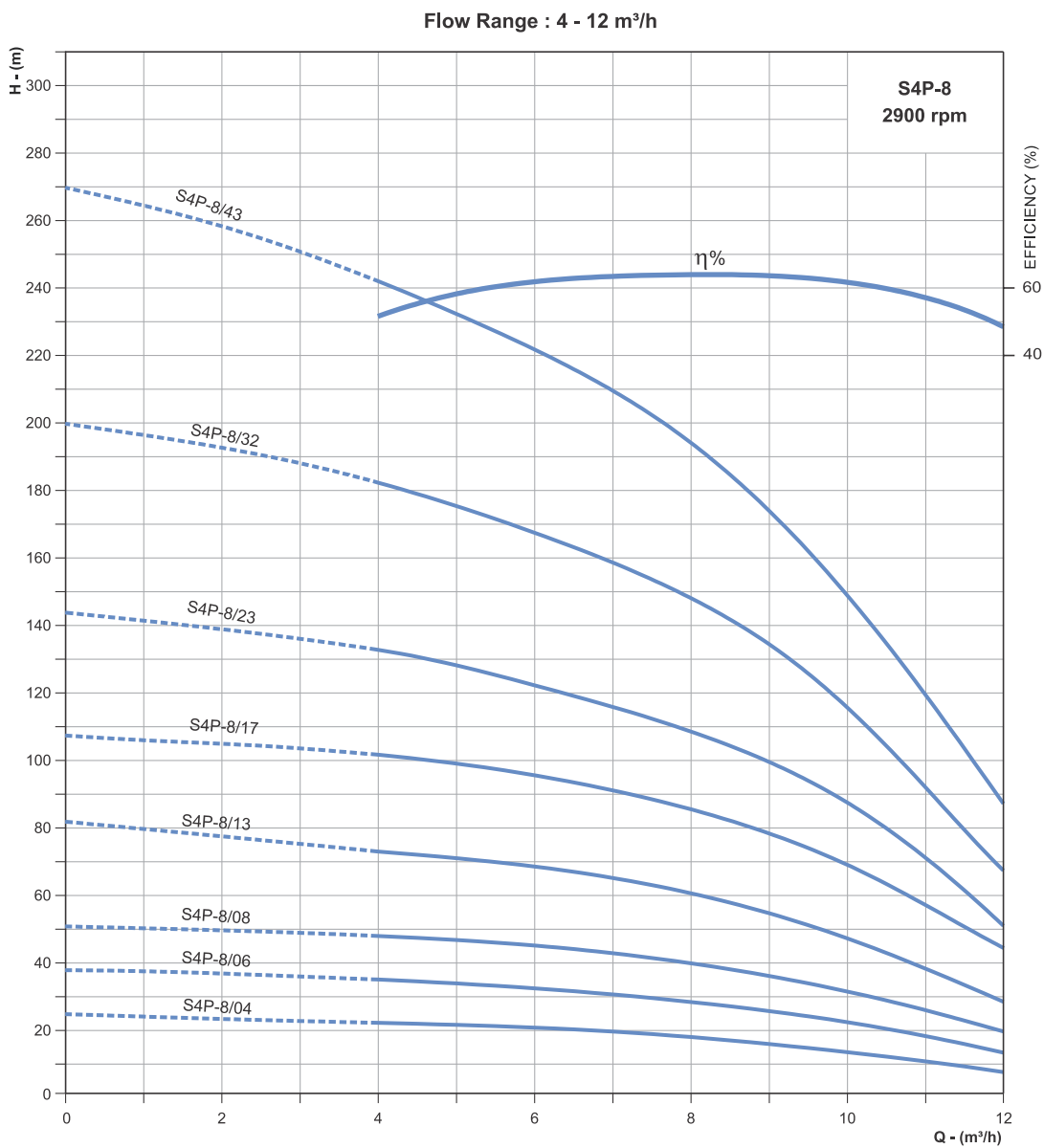
# SILVER LINE SERIES

Nominal Diameter : **4"**

Nominal Flow : **8m<sup>3</sup>/h**

Outlet Size : **2"**

## Performance Curves



Performance curve tolerances are as per HI : 14.6 / ISO : 9906, Grade 3B.

In view of continuous developments, the informations / descriptions / specifications / illustrations are subject to change without notice.

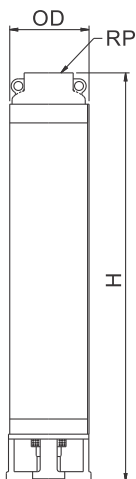
# SILVER LINE SERIES

Nominal Diameter : **4"**

Nominal Flow : **10m<sup>3</sup>/h**

Outlet Size : **2"**

### Dimensions & Weight Data



PUMP MODEL	POWER		DIMENSIONS (mm)			NET WEIGHT (kg)
	kW	HP	OD	RP	H	
S4P-10/03	0.75	1	98	50	448	3
S4P-10/04	0.75	1	98	50	450	3
S4P-10/05	1.1	1.5	98	50	562	4
S4P-10/06	1.1	1.5	98	50	570	5
S4P-10/07	1.5	2	98	50	676	5
S4P-10/08	1.5	2	98	50	690	6
S4P-10/10	2.2	3	98	50	790	8
S4P-10/12	2.2	3	98	50	904	9
S4P-10/15	3	4	98	50	1075	11
S4P-10/17	3	4	98	50	1189	13
S4P-10/20	4	5.5	98	50	1360	15
S4P-10/22	4	5.5	98	50	1474	17
S4P-10/26	5.5	7.5	98	50	1702	20
S4P-10/28	5.5	7.5	98	50	1816	21

### Performance Table

PUMP MODEL	POWER kW	lps	0	1.11	1.66	2.22	2.78	3.33	3.89
		m <sup>3</sup> /h	0	4	6	8	10	12	14
S4P-10/03	0.75	HEAD (m)	17	16	15	14	12	9	5
S4P-10/04	0.75		22	21	20	18	16	13	7
S4P-10/05	1.1		27	26	25	23	20	16	9
S4P-10/06	1.1		34	33	31	28	24	19	12
S4P-10/07	1.5		39	37	35	33	28	22	14
S4P-10/08	1.5		46	43	42	38	33	27	12
S4P-10/10	2.2		57	54	52.5	48	42	33	22
S4P-10/12	2.2		66	64	62.5	57	50	39	25
S4P-10/15	3		83	78	75	69	61	48	33
S4P-10/17	3		94	88	84	78	69	55	39
S4P-10/20	4		107	102	98	92.5	82	65	45
S4P-10/22	4		122	116	111	102.5	90	72	50
S4P-10/26	5.5		140	136	130	122	107	85	59
7S4P-10/28	5.5		153	144	137	127	112	91	65

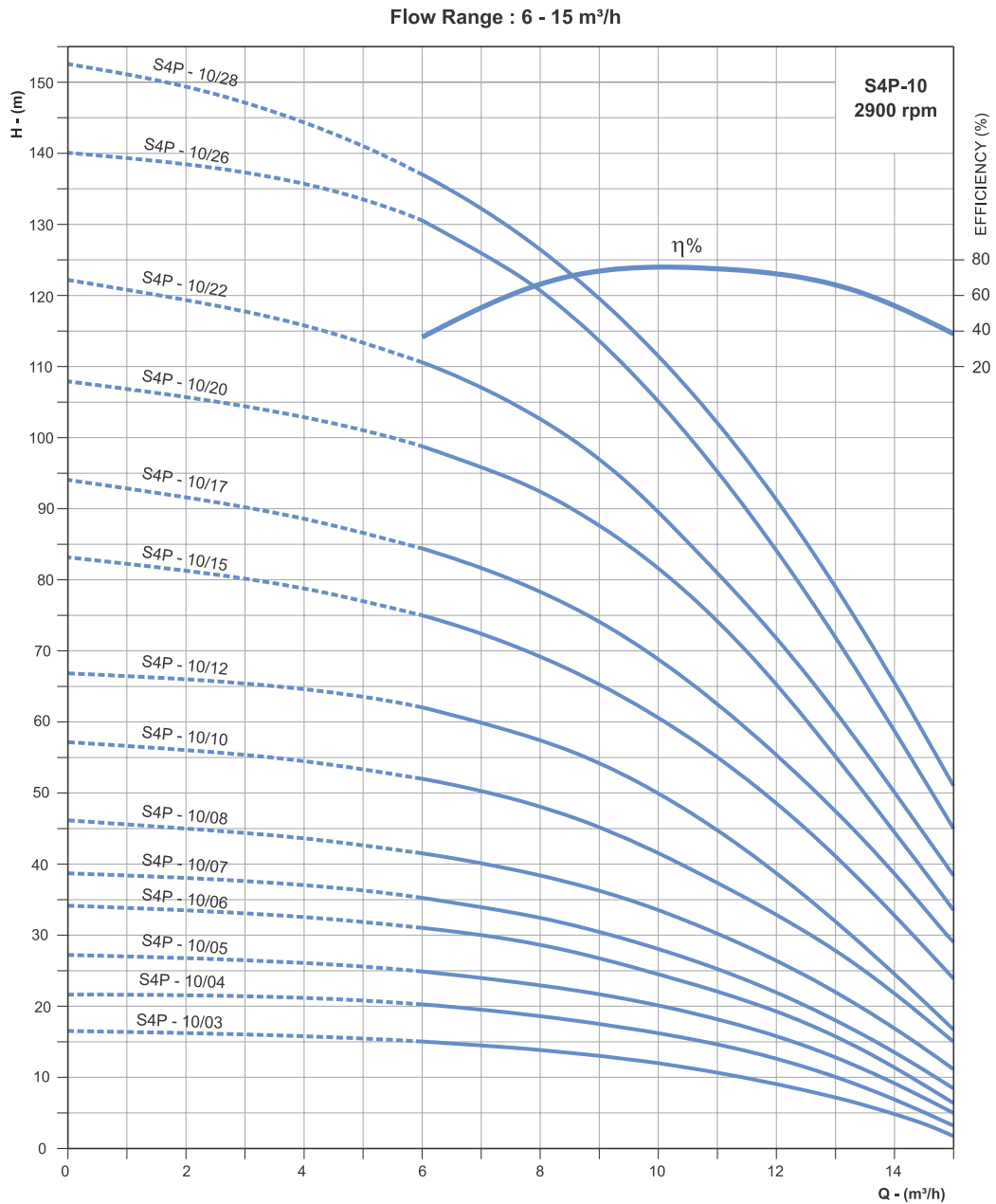
# SILVER LINE SERIES

Nominal Diameter : **4"**

Nominal Flow : **10m<sup>3</sup>/h**

Outlet Size : **2"**

## Performance Curves



Performance curve tolerances are as per HI : 14.6 / ISO : 9906, Grade 3B.  
In view of continuous developments, the informations / descriptions / specifications / illustrations are subject to change without notice.

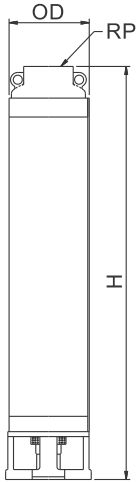
# SILVERLINE SERIES

Nominal Diameter : **4"**

Nominal Flow : **14m<sup>3</sup>/h**

Outlet Size : **2"**

### Dimensions & Weight Data



PUMP MODEL	POWER		DIMENSIONS (mm)			NET WEIGHT (kg)
	kW	HP	OD	RP	H	
S4P-14/03	0.75	1	98	50	463	3
S4P-14/05	1.1	1.5	98	50	610	4
S4P-14/07	1.5	2	98	50	775	6
S4P-14/10	2.2	3	98	50	1009	9
S4P-14/11	2.2	3	98	50	1087	10
S4P-14/12	3.0	4	98	50	1165	10
S4P-14/13	3.0	4	98	50	1243	11
S4P-14/16	3.7	5	98	50	1477	14
S4P-14/17	3.7	5	98	50	1555	14
S4P-14/22	5.5	7.5	98	50	1945	29
S4P-14/24	5.5	7.5	98	50	2101	33

### Performance Table

PUMP MODEL	POWER (kW)	lps	0	2.22	2.78	3.33	3.89	4.44	5.00	5.56
		m <sup>3</sup> /h	0	8	10	12	14	16	18	20
S4P-14/03	0.75	HEAD (m)	17	14	13	12	9	7	-	-
S4P-14/05	1.1		28	24	22	19	16	14	9	6
S4P-14/07	1.5		38	33	30	26	22	18	14	9
S4P-14/10	2.2		59	49	45	40	34	29	22	15
S4P-14/11	2.2		64	59	50	45	39	33	25	17
S4P-14/12	3		69	59	55	48	43	34	27	18
S4P-14/13	3		74	65	58	52	44	36	29	20
S4P-14/16	3.7		89	77	69	62	53	44	34	24
S4P-14/17	3.7		98	85	77	68	59	49	38	27
S4P-14/22	5.5		123	104	93	82	70	57	43	29
S4P-14/24	5.5		134	114	104	92	78	64	49	33

Note: S4P-14 & 18 models are not equipped with check valve, so external check valve must be fitted to the pump outlet to avoid back spin and water hammer effect.

In view of continuous developments, the informations / descriptions / specifications / illustrations are subject to change without notice.

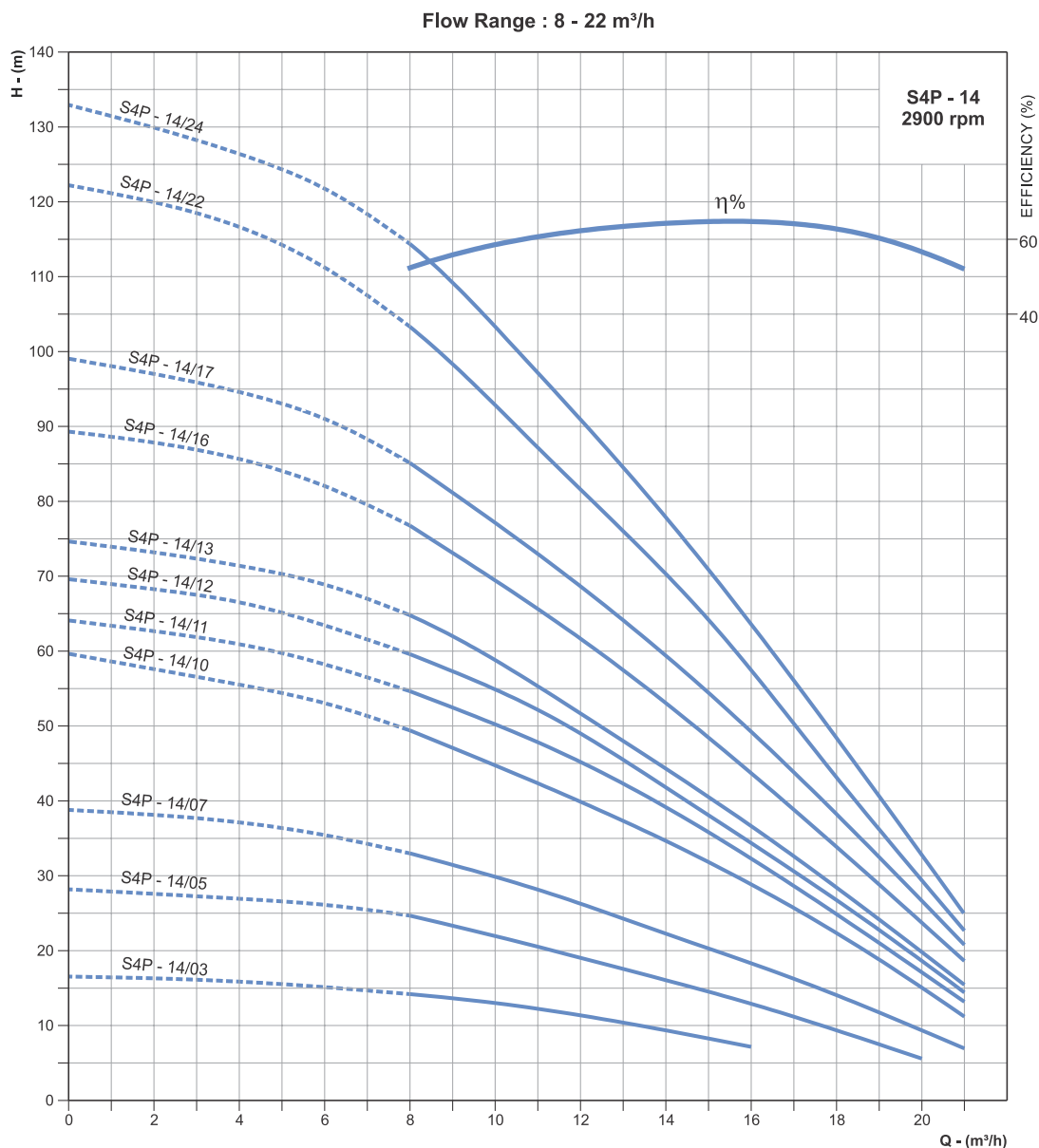
# SILVER LINE SERIES

Nominal Diameter : **4"**

Nominal Flow : **14m<sup>3</sup>/h**

Outlet Size : **2"**

## Performance Curves



Note: S4P-14 & 18 models are not equipped with check valve, so external check valve must be fitted to the pump outlet to avoid back spin and water hammer effect.

Performance curve tolerances are as per HI : 14.6 / ISO : 9906, Grade 3B.

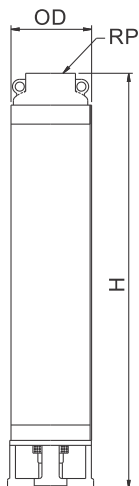
In view of continuous developments, the informations / descriptions / specifications / illustrations are subject to change without notice.

# SILVERLINE SERIES

Nominal Diameter : **4"**

Nominal Flow : **18m<sup>3</sup>/h**

Outlet Size : **2"**



Dimensions & Weight Data

PUMP MODEL	POWER		DIMENSIONS (mm)			NET WEIGHT (kg)
	kW	HP	OD	RP	H	
S4P-18/04	1.1	1.5	98	50	407	4
S4P-18/06	1.5	2.0	98	50	648	5
S4P-18/09	2.2	3.0	98	50	860	7
S4P-18/13	3.7	5.0	98	50	1142	10
S4P-18/14	4.0	5.5	98	50	1213	11
S4P-18/20	5.5	7.5	98	50	1637	16
S4P-18/22	5.5	7.5	98	50	1778	18
S4P-18/26	7.5	10.0	98	50	2060	19
S4P-18/28	7.5	10.0	98	50	2201	22

Performance Table

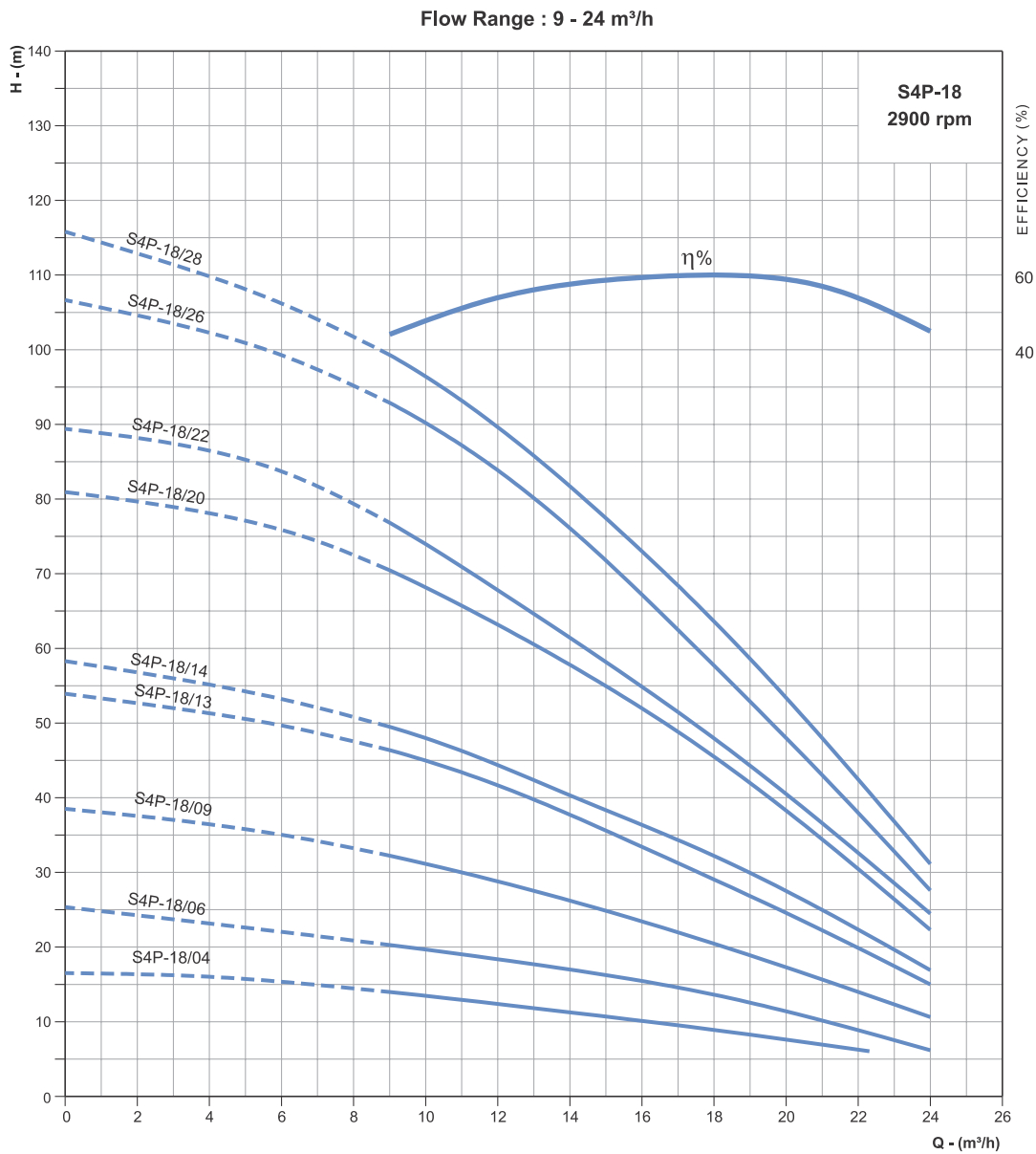
PUMP MODEL	POWER (kW)	lps	0	2.78	3.33	3.86	4.44	5	5.56	6.11
		m <sup>3</sup> /h	0	10	12	14	16	18	20	22
S4P-18/04	1.1	HEAD (m)	17	14	13	11	10	9	8	6
S4P-18/06	1.5		26	19	18	17	16	14	11	9
S4P-18/09	2.2		38	31	29	27	24	21	17	14
S4P-18/13	3.7		54	45	42	38	34	28	24	20
S4P-18/14	4		58	48	44	41	37	33	27	23
S4P-18/20	5.5		81	68	63	57	52	46	38	30
S4P-18/22	5.5		89	74	71	61	55	48	41	32
S4P-18/26	7.5		106	90	84	76	67	57	47	38
S4P-18/28	7.5		116	97	89	82	73	64	54	43

Note: S4P-14 & 18 models are not equipped with check valve, so external check valve must be fitted to the pump outlet to avoid back spin and water hammer effect. In view of continuous developments, the informations / descriptions / specifications / illustrations are subject to change without notice.

## SILVER LINE SERIES

Nominal Diameter : **4"**Nominal Flow : **18m<sup>3</sup>/h**Outlet Size : **2"**

## Performance Curves



Note: S4P-14 & 18 models are not equipped with check valve, so external check valve must be fitted to the pump outlet to avoid back spin and water hammer effect.

Performance curve tolerances are as per HI : 14.6 / ISO : 9906, Grade 3B.

In view of continuous developments, the informations / descriptions / specifications / illustrations are subject to change without notice.



# SUBMERSIBLE MOTORS



# MODEL IDENTIFICATION CODE

## DEEPWELL SUBMERSIBLE MOTOR

**X X X S - XXXX XX X N M (H)(P)**

### DEEPWELL SUBMERSIBLE MOTOR

W = Water Filled  
 R = Resin Filled Encapsulated  
 L = Non-Toxic Fluid Filled

**NOMINAL MOTOR DIAMETER**  
 4 = 4", 6 = 6", 8 = 8" & 10=10"

**Type of Materials of Construction**  
 Type = A/B/N/S/T/O

This digit is only applicable for  
 1-Phase "R" Series motors with  
 Lightning Arrestor

### MOTOR POWER (kW)

**03** = 0.37, **05** = 0.55, **11** = 1.1, **75** = 7.5,  
**110** = 11, **185** = 18.5, **A10** = 110, **A85** = 185

(Applicable for Special Models)

**P** - Motor with PT Sensor

**H** - High Temperature Motor with  
 XLPE / PA Winding

This Digit will be applicable only when the  
 Motor is supplied with Mechanical Seal

(Applicable only for 525V motors)

**R** = Reduced diameter motor with  
 EPDM cable

### PHASE / CONNECTION / CONTROL BOX / FREQUENCY

**N** = 1 Ph / PSC / 3 Wire / 50Hz

**M** = 1 Ph / PSC / 2 Wire / 50Hz

**T** = 3 Ph / DOL / 50Hz

**D** = 3 Ph / S.D. / 50Hz

**S** = 1Ph / CSCR Type with Control Box &  
 without Meter / 50 Hz

**R** = 1Ph / CSCR Type with Control Box &  
 Meter / 50 Hz

### DEEPWELL SUBMERSIBLE PUMP SET (Pump + Motor)

<b>PUMP MODEL</b>	<b>+</b>	<b>MOTOR MODEL</b>
<b>S X X - XXX / XX</b>	<b>+</b>	<b>X X X - XXX X</b>

### DEEPWELL SUBMERSIBLE PUMP SET (Pump + Motor)

<b>PUMP MODEL</b>	<b>+</b>	<b>MOTOR MODEL</b>
<b>S6S - 18 / 03</b>	<b>+</b>	<b>W6A - 22 T</b>

### Sample Description:

L4A-03M : 0.37kW,1Ph, 220-230V, SUB MOTOR 50Hz

R6B-110T : 11kW, 3Ph, 380-415V DL SUB MOTOR 50Hz

W10B-A85DH : 185kW, 3Ph, 380-415V SD SUB MOTOR 50Hz

# OIL FILLED SUBMERSIBLE MOTORS

Nominal Diameter : 4"

## 'L' Series Motors

4" Oil filled submersible motors are energy-efficient, durable, low maintenance, quiet, versatile, easy to install and reliable. The oil in the motor provides lubrication for the bearings, reducing wear and tear, resulting in a longer lifespan. This makes them an ideal choice for applications where durability and longevity are important. Ball and angular contact bearings are used to handle high radial and axial thrust loads. The oil in the motor also provides cooling to the motor, which helps to prevent overheating, reduce energy consumption and improve the overall efficiency of the motor.

Motor sealing is done by 'O' rings, oil seal and mechanical seal. Pressure equalizing rubber diaphragm is provided to balance the pressure and volume variation due to thermal expansion of oil into motor. Oil-filled submersible motors are often preferred in applications where the pumping depth is less than 150 meters.

### Design Features

- High efficiency
- Corrosion resistant stainless-steel parts
- Extremely hardwearing ball and angular contact bearings
- Rewindable motor
- Class F insulation

### Applications

These submersible motors are suitable for use with deepwell submersible pump ends.

- Ground water supply to residences and commercial buildings
- Agriculture
- Pressure boosting system
- Fountains
- Gardens
- Landscaping
- Livestock watering



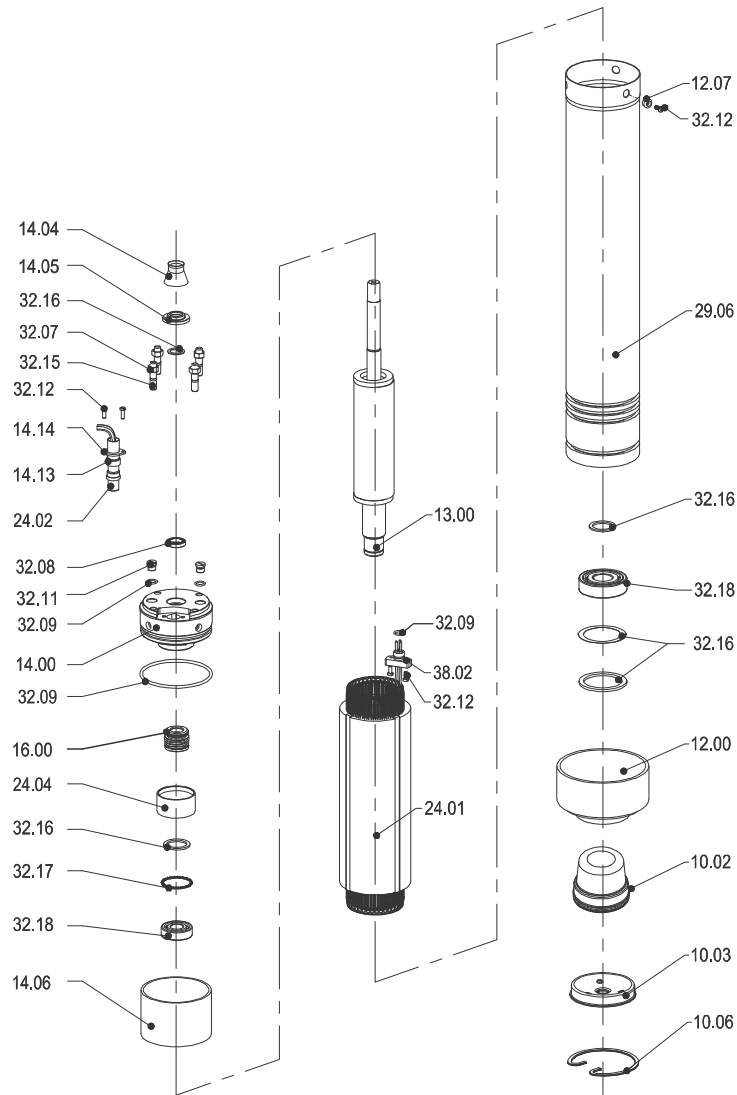
# OIL FILLED SUBMERSIBLE MOTORS

Nominal Diameter : **4"**

**"L" Series**  
(0.37 kW - 4 kW)

## Exploded View

**Single Phase : 0.37 kW - 2.2 kW**  
**Three Phase : 0.37 kW - 4 kW**



Part No.	Part Name
10.02	Diaphragm
10.03	Diaphragm Bottom Plate
10.06	Snap ring
12.00	Lower housing
12.07	Guide bush
13.00	Rotor
14.00	Upper Housing
14.04	Sand Guard - Rubber
14.05	Sand Guard - SS

Part No.	Part Name
14.06	Upper housing Pipe
14.13	Cable plug shell
14.14	Cable Clamp
16.00	Mechanical seal
24.01	Wound stator
24.02	Cable
24.04	Winding guard
29.06	Outer shell
32.07	Nut

Part No.	Part Name
32.08	Oil Seal
32.09	O-Ring
32.11	Plug
32.12	Screw
32.15	Stud
32.16	Washer
32.17	Wave washer
32.18	Bearing
38.02	Cable plug Assembly

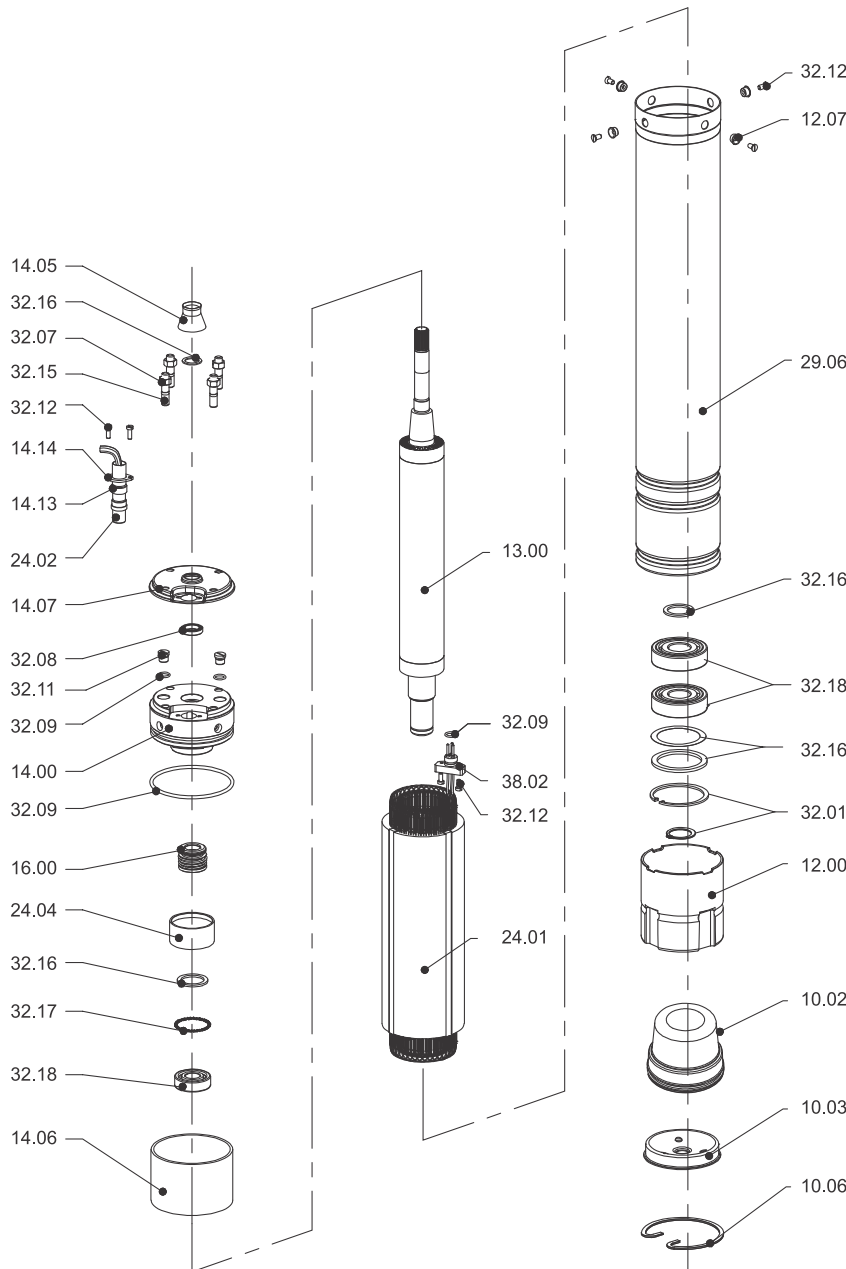
# OIL FILLED SUBMERSIBLE MOTORS

Nominal Diameter : 4"

"L" Series

Three Phase : 5.5 kW & 7.5 kW

## Exploded View



Part No.	Part Name
10.02	Diaphragm
10.03	Diaphragm Bottom Plate
10.06	Snap ring
12.00	Lower housing
12.07	Guide bush
13.00	Rotor
14.00	Upper Housing
14.05	Sand Guard
14.06	Upper housing Pipe
14.07	Upper housing shell
14.13	Cable Plug Shell
14.14	Cable Clamp
16.00	Mechanical seal
24.01	Wound stator
24.02	Cable
24.04	Winding guard
29.06	Outer shell
32.01	Circlip
32.07	Nut
32.08	Oil Seal
32.09	O-ring
32.11	Plug
32.12	Screw
32.15	Stud
32.16	Washer
32.17	Wave Washer
32.18	Bearing
38.02	Cable Plug Assembly

# OIL FILLED SUBMERSIBLE MOTORS

Nominal Diameter : **4"**

**"L"** Series

## Technical Specifications

Nominal Dia	4"
Maximum Outer Diameter	98 mm
Power Range	0.37 - 2.2 kW - Single Phase
	0.37 - 7.5 kW - Three Phase
Speed	2900 rpm
Version	Single Phase - 230V, 50Hz, A.C Supply
	Three Phase - 380-415V, 50Hz, A.C Supply
Class of Insulation	F
Degree of Protection	IP68
Direction of Rotation	CCW - When viewed from driving end - Single Phase
	Electrically Reversible - Three Phase
Type of Duty	S1 (Continuous)
Down Thrust Load	0.37 - 0.75 kW - 1500 N
	1.1 - 4.0 kW - 2500 N
	5.5 - 7.5 kW - 4500 N
Minimum Cooling Flow Along the Motor	0.15 m/sec
Maximum Liquid Temperature	35°C
Maximum Immersion Depth	150 m
Max. Starts per Hour	20 Times
Shaft End	Splines
Mounting Standard	4" NEMA
Method of Starting	Single Phase - Permanent Split Capacitor (PSC)
	Three Phase - Direct On Line (DOL)
Cable Lead out	Single Phase - 3+1 TPE Flat Cable - 0.37 - 2.2 kW
	Three Phase - 3+1 TPE Flat cable - 0.37 - 7.5 kW



# OIL FILLED SUBMERSIBLE MOTORS

Nominal Diameter : **4"**

**"L"** Series

## Material of Construction

PART NAME	MATERIAL - L4A		
	EUROPE	DIN	AISI/SAE
Outer Shell	X5CrNi 18 9	1.4301	ASTM A240 AISI 304
Upper Housing Shell	X5CrNi 18 9	1.4301	ASTM A240 AISI 304
Upper Housing	Cast Iron - EN-GJL-220 (X5CrNi 18 9 Claded)	GG20 (1.4301 Claded)	ASTM A48 Class 30 B (ASTM A240 AISI 304 Claded)
Lower Housing	0.37 - 2.2kW -ADC12 3 - 7.5kW - Cast Iron - EN-GJL-220 (X5CrNi 18 9 Claded)	0.37 - 2.2kW - ADC12 3 - 7.5kW - GG20 (1.4301 Claded)	0.37 - 2.2kW - ADC12 ASTM A383 3 - 7.5kW - ASTM A48 Class 30 B (ASTM A240 AISI 304 Claded)
Diaphragm	HNBR (ASTM - D2000)	HNBR (ASTM - D2000)	HNBR (ASTM - D2000)
Sand Guard, O Ring & Oil Seal	Standard - NBR (Buna - N)	Standard - NBR (Buna - N)	Standard - NBR (Buna - N)
Shaft Seal	Mechanical Seal (Carbon, Ceramic, NBR (Buna - N)	Mechanical Seal (Carbon, Ceramic, NBR (Buna - N)	Mechanical Seal (Carbon, Ceramic, NBR (Buna - N)
Shaft Shell	X5CrNi 18 9	1.4301	ASTM A240 AISI 304
Shaft	0.37 - 1.5kW - X20Cr13 2.2 - 7.5kW - EN8	0.37 - 1.5kW - 1.4021 2.2 - 7.5kW - CK45 (1.1191) with Shaft End	0.37 - 1.5kW - ASTM A276 AISI 420 2. - 7.5 kW - ASTM A29 AISI 1045
Shaft Extention	X5CrNiCuNb 16 4	1.4542	ASTM A693 AISI 630 (UNS S17400)

# OIL FILLED SUBMERSIBLE MOTORS

## Electrical Data

### SINGLE PHASE, 230V

Model	kW	HP	F.L. Current (A)	Starting Current (A)	Full load		Capacitor (MFD)	Thrust Load (N)
					Efficiency (%)	Power Factor		
L4A-03N	0.37	0.5	3.6	10.4	53	0.92	15	1500
L4A-05N	0.55	0.75	4.8	13.6	58	0.92	20	1500
L4A-07N	0.75	1	6.3	17.6	60	0.96	30	1500
L4A-11N	1.1	1.5	8.6	21.1	64	0.98	40	2500
L4A-15N	1.5	2	11.5	35	72	0.98	50	2500
L4A-22N	2.2	3	15	52	70	0.95	60	2500

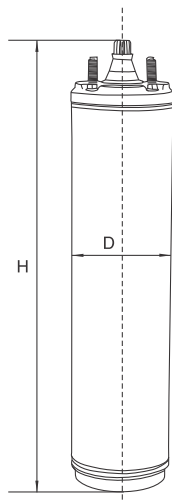
### THREE PHASE, 380V

Model	kW	HP	F.L. Current (A)	Starting Current (A)	Full load		Thrust Load (N)
					Efficiency (%)	Power Factor	
L4A-03T	0.37	0.5	1.1	5.2	63	0.80	1500
L4A-05T	0.5	0.75	1.9	9.3	63	0.80	1500
L4A-07T	0.75	1	2.4	11.1	64	0.81	1500
L4A-11T	1.1	1.5	3.15	13	68	0.82	2500
L4A-15T	1.5	2	4.2	19.5	72	0.82	2500
L4A-22T	2.2	3	6	28	72	0.83	2500
L4A-30T	3	4	7.8	40.2	75	0.83	2500
L4A-37T	3.7	5	9.6	48	75	0.83	2500
L4A-40T	4	5.5	10	51	77	0.83	2500
L4A-55T	5.5	7.5	13.6	71.1	78	0.85	4500
L4A-75T	7.5	10	17.6	87.8	79	0.85	4500

### THREE PHASE, 415V

Model	kW	HP	F.L. Current (A)	Starting Current (A)	Full load		Thrust Load (N)
					Efficiency (%)	Power Factor	
L4A-03T	0.37	0.5	1.3	7	63	0.74	1500
L4A-05T	0.55	0.75	2.1	11.2	66	0.73	1500
L4A-07T	0.75	1	2.7	13.8	71	0.75	1500
L4A-11T	1.1	1.5	3.7	19	72	0.72	2500
L4A-15T	1.5	2	4.9	25	73	0.72	2500
L4A-22T	2.2	3	6.1	30	73	0.73	2500
L4A-30T	3	4	8	41	73	0.73	2500
L4A-37T	3.7	5	9.9	49	74	0.72	4500
L4A-40T	4	5.5	10.5	56	75	0.73	4500
L4A-55T	5.5	7.5	14.5	73	75	0.72	4500
L4A-75T	7.5	10	19	82	78	0.78	4500

### DIMENSIONS AND WEIGHT DATA



Model	kW	HP	Phase	Dia (mm) D	Height (mm) H	Net Weight (kg)	Cable Leadout	
							Cable Size (Sq mm)	Cable Length (m)
L4A-03N	0.37	0.5	Single	97.5	375	8.3	1.5	1.5
L4A-05N	0.55	0.75	Single	97.5	390	9	1.5	1.5
L4A-07N	0.75	1	Single	97.5	425	10.7	1.5	1.5
L4A-11N	1.1	1.5	Single	97.5	440	11.3	1.5	1.5
L4A-15N	1.5	2	Single	97.5	465	12.6	2	1.5
L4N-22N	2.2	3	Single	97.5	515	14.2	2.3	2
L4A-03T	0.37	0.5	Three	97.5	375	8.3	1.5	1.5
L4A-05T	0.55	0.75	Three	97.5	390	9	1.5	1.5
L4A-07T	0.75	1	Three	97.5	425	10.7	1.5	1.5
L4A-11T	1.1	1.5	Three	97.5	440	11.3	1.5	1.5
L4A-15T	1.5	2	Three	97.5	465	12.6	1.5	1.5
L4A-22T	2.2	3	Three	97.5	495	14.2	1.5	2
L4A-30T	3	4	Three	97.5	590	18.6	2	2
L4A-37T	3.7	5	Three	97.5	640	21	2	2
L4A-40T	4	5.5	Three	97.5	640	21	2	2
L4A-55T	5.5	7.5	Three	95	730	24.8	2.3	3
L4A-75T	7.5	10	Three	95	850	30.4	2.3	3



# RESIN FILLED ENCAPSULATED SUBMERSIBLE MOTORS

Nominal Diameter : 4" & 6"

## 'R' Series Motors

'R' Series resin filled, water cooled encapsulated motor is wound with enamelled copper wire and stainless-steel shell on the outside and a stainless-steel liner on the inside are welded to the rings at both ends of the stator to enclose the winding from the outside environment. The winding area is filled with a special resin that provides mechanical stability and better heat transfer to the outside of the motor. These motors are offered with removable type lead out cable plug.

The canned type submersible motor has the good electric performance and high efficiency. Dynamically balanced rotor maintains uniform clearance to increase the life of bush bearings. A specially designed thrust bearing is used to withstand high axial thrust load with minimal wear and tear, A pressure equalizing rubber diaphragm is provided to equalize the pressure and volume variation of the water inside the motor. Motor sealing is done by 'O' rings, Oil seal or mechanical seal, gaskets, sand guard etc., The mounting dimensions of these motors are as per NEMA standards.

### Design Features

- Manufactured in ISO 9001 certified facility
- High efficiency
- Corrosion resistant stainless-steel parts
- Lightning arrester and thermal protection in 4" single phase motor
- Kingsbury thrust bearing

### Applications

These submersible motors are suitable for use with deepwell submersible pumps

- Ground water supply to residences and buildings
- Public water supply
- Agriculture
- Pressure boosting systems
- Fountains
- Gardens
- Landscaping
- Livestock watering
- Fire fighting



## RESIN FILLED ENCAPSULATED SUBMERSIBLE MOTORS

Nominal Diameter : **4"****"R"** Series

## Technical Specifications

Nominal Dia	<b>4"</b>
Maximum Outer Diameter	95,5 mm
Power Range	0.37 - 2.2 kW - Single Phase 0.37 - 7.5 kW - Three Phase
Speed	2900 rpm
Version	Single Phase - 230V, 50Hz, A.C Supply Three Phase - 380-415V, 50Hz, A.C Supply
Class of Insulation	F
Degree of Protection	IP68
Direction of Rotation	CCW - When viewed from driving end - Single Phase Electrically Reversible - Three Phase
Type of Duty	S1 (Continuous)
Down Thrust Load	0.37 - 0.55 kW - 1500 N 0.75 - 1.5 kW - 3000 N, 2.2 - 7.5 kW - 7000 N
Minimum Cooling Flow Along the Motor	0.15 m/sec
Maximum Liquid Temperature	35°C
Max. Starts per Hour	20 Times
Shaft End	Splines
Mounting Standard	4" NEMA
Method of Starting	Single Phase - Capacitor Start and Run (CSR) Capacitor Start Capacitor Run Three Phase - Direct On Line (DOL)
Cable leadout	Single Phase - 3+1 XLPE wire - 0.37 kW - 2.2 kW Three Phase - 3+1 XLPE wire - 0.37 kW - 7.5 kW



# RESIN FILLED ENCAPSULATED SUBMERSIBLE MOTORS

Nominal Diameter : **4"**

**"R" Series**

## Material of Construction

PART NAME	R4AS - Single Phase (0.37 - 1.5kW) R4A - Three Phase (0.37 - 2.2kW)		
	EUROPEAN	DIN	AISI / SAE
Upper & Lower Housing	Cast Iron - EN-GJL-200 (X5CrNi 18 9 claded)	GG20 (1.4301 claded)	ASTM A48 Class 30 B (ASTM A240 AISI 304 claded)
Motor Base	X5CrNi 18 9	1.4301	ASTM A240 AISI 304
ThrustPad	Cast Iron - EN-GJL-250 or X12Cr14 with Graphite Carbon	GG25 or 1.4008 with Graphite Carbon	ASTM A48 Class 30 B or ASTM A743 CA15 with Graphite Carbon
Thrust Base	FX-1008-110HT with X20Cr14 Segment	1.1191 with 1.4027 Segment	ASTM B783 with ASTM A743 CA40 Segment
Bush Bearing	Graphite Carbon	Graphite Carbon	Graphite Carbon
Diaphragm	HNBR (ASTM - D2000)	HNBR (ASTM - D2000)	HNBR (ASTM - D2000)
Sand Guard, O Ring & Oil Seal	NBR (Buna - N)	NBR (Buna - N)	NBR (Buna - N)
Stator Shell	X5CrNi 18 9	1.4301	ASTM A240 AISI 304
Shaft	0.37 – 0.75kW – X12Cr13 1.1 - 2.2kW - EN8D with X5CrNi 18 10 Sleeve	0.37 – 0.75kW – 1.4006 1.1 - 2.2kW - CK45 (1.1191)	0.37 – 0.75kW – ASTM A276 AISI 410 1.1 - 2.2kW - ASTM A29 AISI 1045
Shaft Extention	X5CrNiCuNb 16 4	1.4542	ASTM A693 AISI 630 (UNS S17400)

PART NAME	R4A - Three Phase (3.7 - 7.5kW) R4AS - Single Phase (2.2kW)		
	EUROPEAN	DIN	AISI / SAE
Upper & Lower Housing	Cast Iron - EN-GJL-200 (X5CrNi 18 9 claded)	GG20 (1.4301 claded)	ASTM A48 Class 30B (ASTM A240 AISI 304 claded)
Thrust Base Housing	Cast Iron - EN-GJL-200 (X5CrNi 18 9 claded)	GG20 (1.4301 claded)	ASTM A48 Class 30B (ASTM A240 AISI 304 claded)
Motor Base	X5CrNi 18 9	1.4301	ASTM A240 AISI 304
ThrustPad	Cast Iron - EN-GJL-250 or X12Cr14 with Graphite Carbon	GG25 or 1.4008 with Graphite Carbon	ASTM A48 Class 30B or ASTM A743 CA15 with Graphite Carbon
Thrust Base	Cast Iron - EN-GJL-250 with X20Cr14 Segment	GG25 with 1.4027 Segment	ASTM A48 Class 30B with ASTM A743 CA40 Segment
Bush Bearing	Graphite Carbon	Graphite Carbon	Graphite Carbon
Diaphragm	HNBR (ASTM - D2000)	HNBR (ASTM - D2000)	HNBR (ASTM - D2000)
Sand Guard, O Ring & Oil Seal	Standard - NBR (Buna - N)	Standard - NBR (Buna - N)	Standard - NBR (Buna - N)
Stator Shell	X5CrNi 18 9	1.4301	ASTM A240 AISI 304
Shaft	EN8D with X5CrNi 18 10 Sleeve	CK45 (1.1191) with 1.4301 sleeve	ASTM A29 AISI 1045 with ASTM A276 AISI 304 Sleeve
Shaft extention	X5CrNiCuNb 16 4	1.4542	ASTM A693 AISI 630 (UNS S17400)

In view of continuous developments, the informations / descriptions / specifications / illustrations are subject to change without notice.

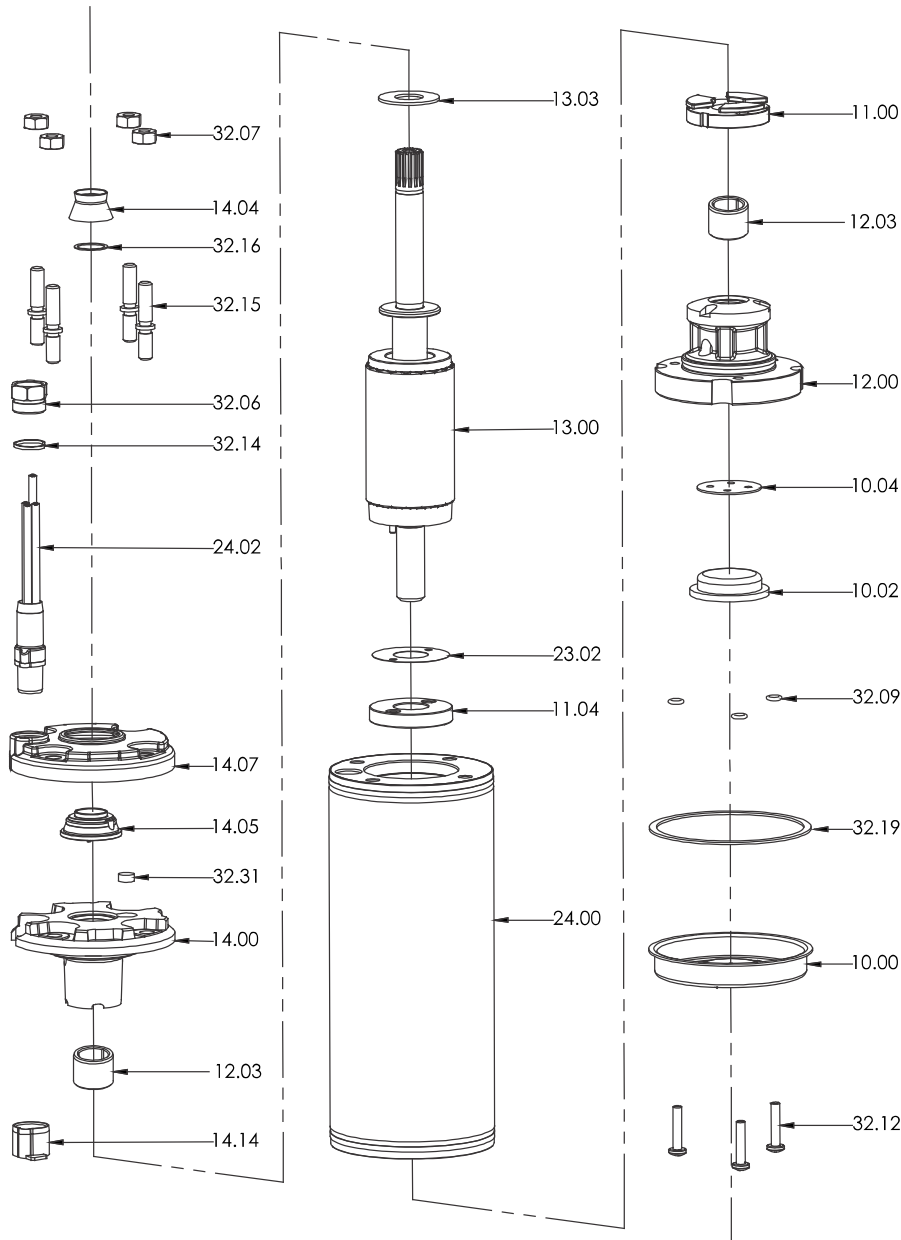
# RESIN FILLED ENCAPSULATED SUBMERSIBLE MOTORS

Nominal Diameter : **4"**

**"R" Series**

0.37 kW - 1.5 kW - Single Phase  
0.37 kW - 2.2 kW - Three Phase

## Exploded View



Part No.	Part Name
32.12	Screw
37.00	Motor Base Cover
32.00	Allen Bolt
32.33	Cap Washer
10.00	Motor Base
28.04	Capacitor
32.09	O Ring
10.07	Capacitor Plate
38.01	Connector Bush
38.02	Cable Socket Pin
10.02	Diaphragm
10.04	Diaphragm Plate
32.19	Gasket
12.00	Bottom End Bell
12.03	Carbon Bush
24.00	Stator Body
11.00	Thrust Base
11.04	Thrust Pad
23.02	Shim
13.00	Rotor Shaft
13.03	Upthrust Washer
14.14	Cable Plug Sleeve
14.00	Top End Bell
32.31	Valve filter sponge
14.05	Plastic Sand guard
14.07	Top End Bell Cladding
24.02	Cable
32.14	Spring Washer
32.06	Cable Plug Nut
32.15	Stud
32.16	Washer
14.04	Rubber Sand Guard
32.07	Hex Nut

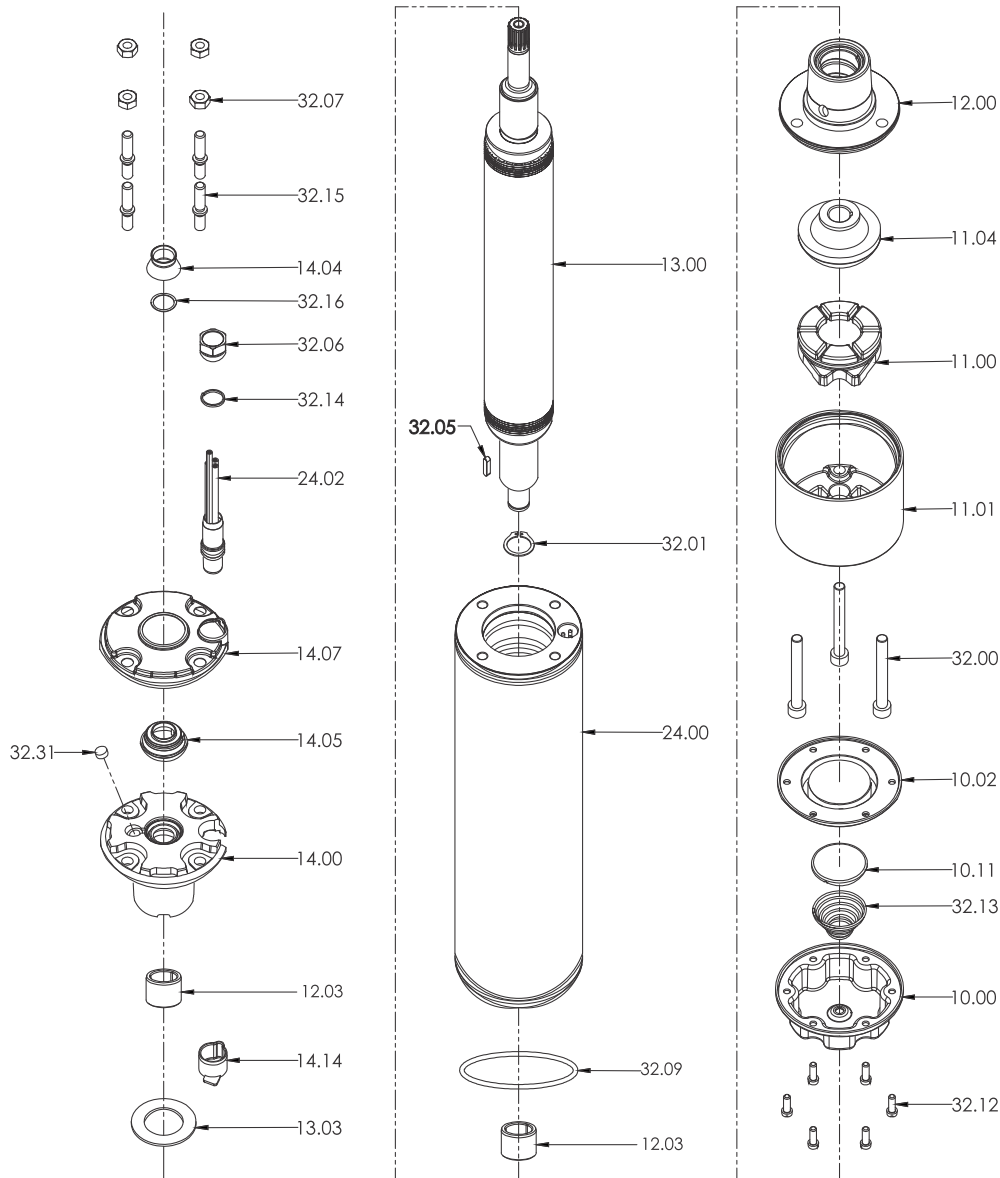
# RESIN FILLED ENCAPSULATED SUBMERSIBLE MOTORS

Nominal Diameter : **4"**

**"R"** Series

2.2 kW - Single Phase  
3.7 kW - 7.5 kW - Three Phase

## Exploded View



Part No.	Part Name
32.12	Screw
10.00	Motor Base
32.13	Spring
10.11	Spring Guide Plate
10.02	Diaphragm
32.00	Bolt
11.01	Thrust Base Housing
11.00	Thrust Base
11.04	Thrust Pad

Part No.	Part Name
12.00	Bottom End Bell
12.03	Carbon Bush
32.09	O Ring
24.00	Stator Body
32.01	Circlip
32.05	Key
13.00	Rotor Shaft
13.03	Up thrust Washer
14.14	Cable Plug Sleeve
14.00	Top End Bell

Part No.	Part Name
32.31	Valve filter Sponge
14.05	Plastic Sand guard
14.07	Top End Bell Cladding
24.02	Cable
32.14	Spring Washer
32.06	Cable Plug Nut
32.16	Washer
14.04	Rubber Sand Guard
32.15	Stud
32.07	Nut

In view of continuous developments, the informations / descriptions / specifications / illustrations are subject to change without notice.

## RESIN FILLED ENCAPSULATED SUBMERSIBLE MOTORS

Nominal Diameter : **4"****"R" Series**

## Electrical Data

**4" SINGLE PHASE 230V**

Model	Power		Full Load Current (A)	Starting Current (A)	Full Load		Max. Down Thrust Load (N)	Starting Torque (Nm)	Torque (Nm)	Start Capacitor Value (mf)	Run Capacitor Value (mf)
	kW	HP			Eff. (%)	P.F. (%)					
R4AS-03N	0.37	0.5	3.7	15	55	72	3000	2.2	1.24	-	20
R4AS-05N	0.55	0.75	4.5	23	58	69	3000	3.2	1.86	-	25
R4AS-07N	0.75	1	5.5	29	62	73	3000	4.5	2.47	-	36
R4AS-11S	1.1	1.5	9.2	46	65	87	3000	6	3.75	100/120	40
R4AS-15S	1.5	2	11.5	53	68	88	3000	7.7	4.98	200/250	50
R4AS-22S	2.2	3	15.2	80	68	91	6500	13	7.4	200/250	45

**4" THREE PHASE 415V, D.O.L.**

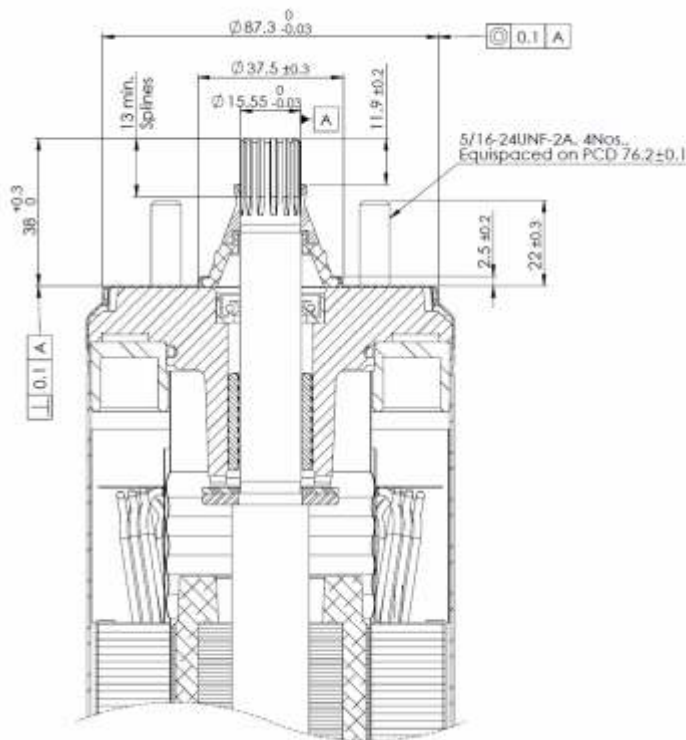
Model	Power		Full Load Current (A)	Starting Current (A)	Full Load		Max. Down Thrust Load (N)	Starting Torque (Nm)	Torque (Nm)
	kW	HP			Eff. (%)	P.F. (%)			
R4A-03T	0.37	0.5	1.2	4.9	65	67	3000	3.3	1.26
R4A-05T	0.55	0.75	1.6	7.8	66	75	3000	5.7	1.89
R4A-07T	0.75	1	2.1	10.6	69	71	3000	8.24	2.52
R4A-11T	1.1	1.5	2.8	14	73	74	3000	13.6	3.82
R4A-15T	1.5	2	3.9	21	73	75	3000	15.6	5.06
R4A-22T	2.2	3	5.5	32	74	76	6500	26	7.4
R4A-37T	3.7	5	9.6	48	76	74	6500	28	12.3
R4A-55T	5.5	7.5	14.2	70	76	73	6500	44	18.5
R4A-75T	7.5	10	17.7	82	74	79	6500	52	25

# RESIN FILLED ENCAPSULATED SUBMERSIBLE MOTORS

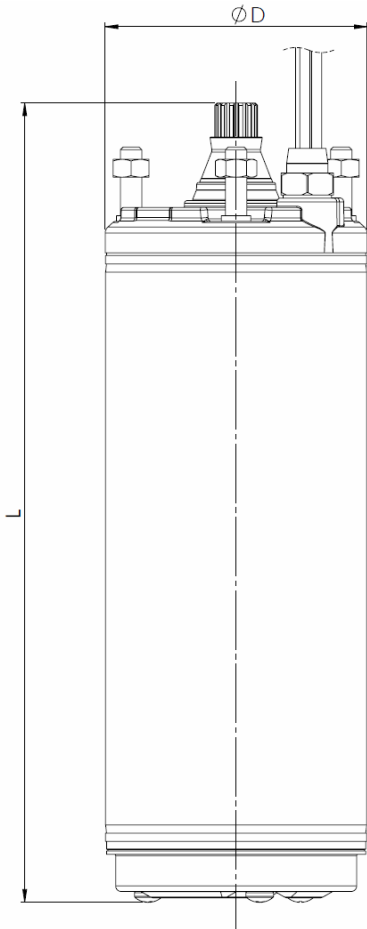
Nominal Diameter : **4"**

**"R" Series**  
 0.37 kW - 1.5 kW - Single Phase  
 0.37 kW - 2.2 kW - Three Phase

## Motor Dimension Details



General Arrangement Drawing (GAD)



## DIMENSIONS AND WEIGHT DATA

Model	Power		Dimensions (mm)		Net Weight (kg)	Cable Leadout	
	kW	HP	D	H		Cable size (Sq.mm)	Cable length (m)
R4AS-03N	0.37	0.5	95.5	307	10	2.08	1.5
R4AS-05N	0.55	0.75	95.5	332	11	2.08	1.5
R4AS-07N	0.75	1	95.5	356	12	2.08	1.5
R4AS-11S	1.1	1.5	95.5	372	13	2.08	1.5
R4AS-15S	1.5	2	95.5	422	15	2.08	1.5
R4A-03T	0.37	0.5	95.5	292	9	2.08	1.5
R4A-05T	0.55	0.75	95.5	307	10	2.08	1.5
R4A-07T	0.75	1	95.5	332	11	2.08	1.5
R4A-11T	1.1	1.5	95.5	357	11.6	2.08	1.5
R4A-15T	1.5	2	95.5	382	12.8	2.08	1.5
R4A-22T	2.2	3	95.5	442	15.6	2.08	1.5

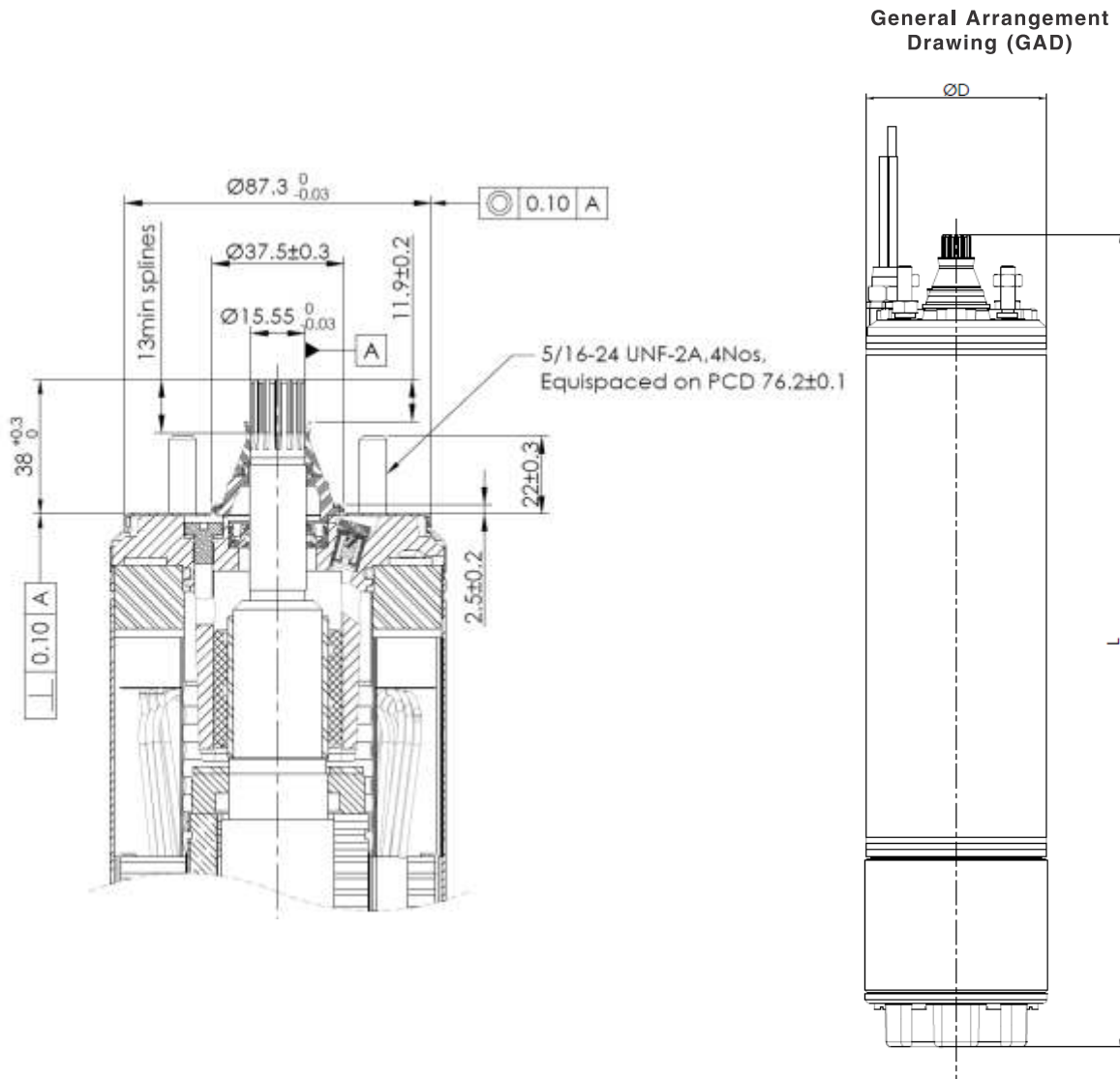
In view of continuous developments, the informations / descriptions / specifications / illustrations are subject to change without notice.

# RESIN FILLED ENCAPSULATED SUBMERSIBLE MOTORS

Nominal Diameter : **4"**

**"R" Series**  
 2.2 kW - Single Phase  
 3.7 kW - 7.5 kW - Three Phase

## Motor Dimension Details



## DIMENSIONS AND WEIGHT DATA

Model	Power		Dimensions (mm)		Net Weight (kg)	Cable Leadout	
	kW	HP	D	H		Cable size (Sq.mm)	Cable length (m)
R4AS-22S	2.2	3	95.5	442	16	2.08	1.5
R4A-37T	3.7	5	95.5	631	24.2	2.08	1.5
R4A-55T	5.5	7.5	95.5	786	31.2	2.08	2.5
R4A-75T	7.5	10	95.5	861	35	2.08	2.5

In view of continuous developments, the informations / descriptions / specifications / illustrations are subject to change without notice.



# RESIN FILLED ENCAPSULATED SUBMERSIBLE MOTORS

Nominal Diameter : **6"**

**"R"** Series

## Technical Specifications

Nominal Dia	<b>6"</b>
Maximum Outer Diameter	143.5 mm
Power Range	5.5 - 22 kW
Speed	2900 rpm
Power supply	Three Phase - 380-415V, 50Hz, A.C Supply
Class of Insulation	F
Ingress Protection	IP68
Direction of Rotation	Electrically Reversible
Type of Duty	S1 (Continuous)
Down Thrust Load	5.5 - 22 kW - 15600 N
Minimum Cooling Flow Along the Motor	0.15 m/sec
Maximum Liquid Temperature	35°C
Max. Starts per Hour	20 Times
Shaft end	Splines
Mounting Standard	6" NEMA
Method of Starting	3 Phase - Direct On Line (DOL)
Cable Lead out	Removable type XLPE individual leads (3 + 1)



## RESIN FILLED ENCAPSULATED SUBMERSIBLE MOTORS

Nominal Diameter : **6"****"R"** Series

## Material of Construction

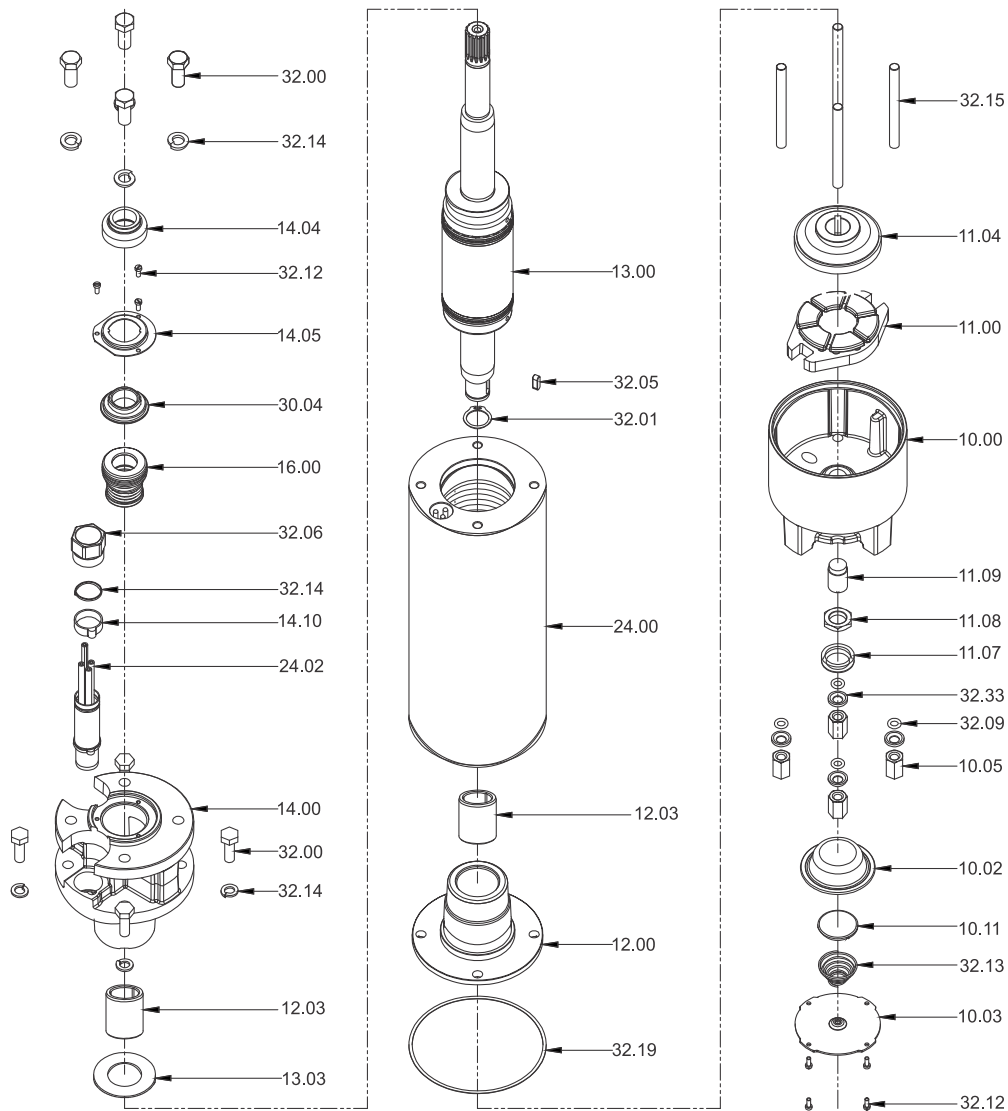
PART NAME	Material - R6B		
	EUROPEAN	(DIN)	AISI / SAE
Thrust Base Housing, Upper & Lower Housing	Cast Iron - EN-GJL-250	GG25	ASTM A48 Class 30B
ThrustPad	Cast Iron - EN-GJL-250 with Graphite Carbon	GG25 with Graphite Carbon	ASTM A48 Class 30B with Graphite Carbon
Thrust Base	Cast Iron - EN-GJL-250 Base with X20Cr14 Segment	GG25 Base with 1.4027 Segment	ASTM A48 Class 30B Base with ASTM A743 CA40 Segment
Bush Bearing	Graphite Carbon	Graphite Carbon	Graphite Carbon
Diaphragm	HNBR (ASTM - D2000)	HNBR (ASTM - D2000)	HNBR (ASTM - D2000)
'O' Ring	NBR (Buna-N)	NBR (Buna-N)	NBR (Buna-N)
Shaft Seal	Mechanical Seal (Carbon & Ceramic)	Mechanical Seal (Carbon & Ceramic)	Mechanical Seal (Carbon & Ceramic)
Stator Shell	X5CrNi 18 9	1.4301	ASTM A240 AISI 304
Shaft	5.5kW -18.5kW - X17CrNi16 2 22kW - EN8 with X17CrNi 16 2 Sleeve	5.5kW -18.5kW - 1.4057 22kW - CK45 (1.1191) with 1.4057 Sleeve	5.5kW -18.5kW - ASTM A276 AISI 431 22kW - ASTM A29 AISI 1045 with ASTM A276 AISI 431 Sleeve
Sand Guard	X5CrNi 18 9 & NBR (Buna-N)	1.4301& NBR (Buna-N)	ASTM A240 AISI 304 & NBR (Buna-N)
Shaft Extention	X5CrNiCuNb 16 4	1.4542	ASTM A693 AISI 630 (UNS S17400)

# RESIN FILLED ENCAPSULATED SUBMERSIBLE MOTORS

Nominal Diameter : **6"**

**"R" Series**  
(5.5 kW - 22 kW)

## Exploded View



Part Description	Part Number
Screw	32.12
Diaphragm Bottom Plate	10.03
Spring	32.13
Spring Guide Plate	10.11
Diaphragm	10.02
Doom Nut	10.05
O Ring	32.09
Cap Washer	32.33
Rocker Cap	11.07
Rocker Lock Nut	11.08
Rocker Screw	11.09

Part Description	Part Number
Motor Base	10.00
Thrust Base	11.00
Thrust Pad	11.04
Stud	32.15
Gasket	32.19
Bottom End Bell	12.00
Carbon Bush	12.03
Stator Body	24.00
Circlip	32.01
Key	32.05
Rotor Shaft	13.00

Part Description	Part Number
Upthrust Washer	13.03
Spring Washer	32.14
Bolt	32.00
Top End bell	14.00
Cable	24.02
Cable Plug Outer Ring	14.10
Cable Plug Nut	32.06
Mechanical Seal	16.00
Seal Lock Plate	30.04
SS Sand guard	14.05
Rubber Sand Guard	14.04

In view of continuous developments, the informations / descriptions / specifications / illustrations are subject to change without notice.

# RESIN FILLED ENCAPSULATED SUBMERSIBLE MOTORS

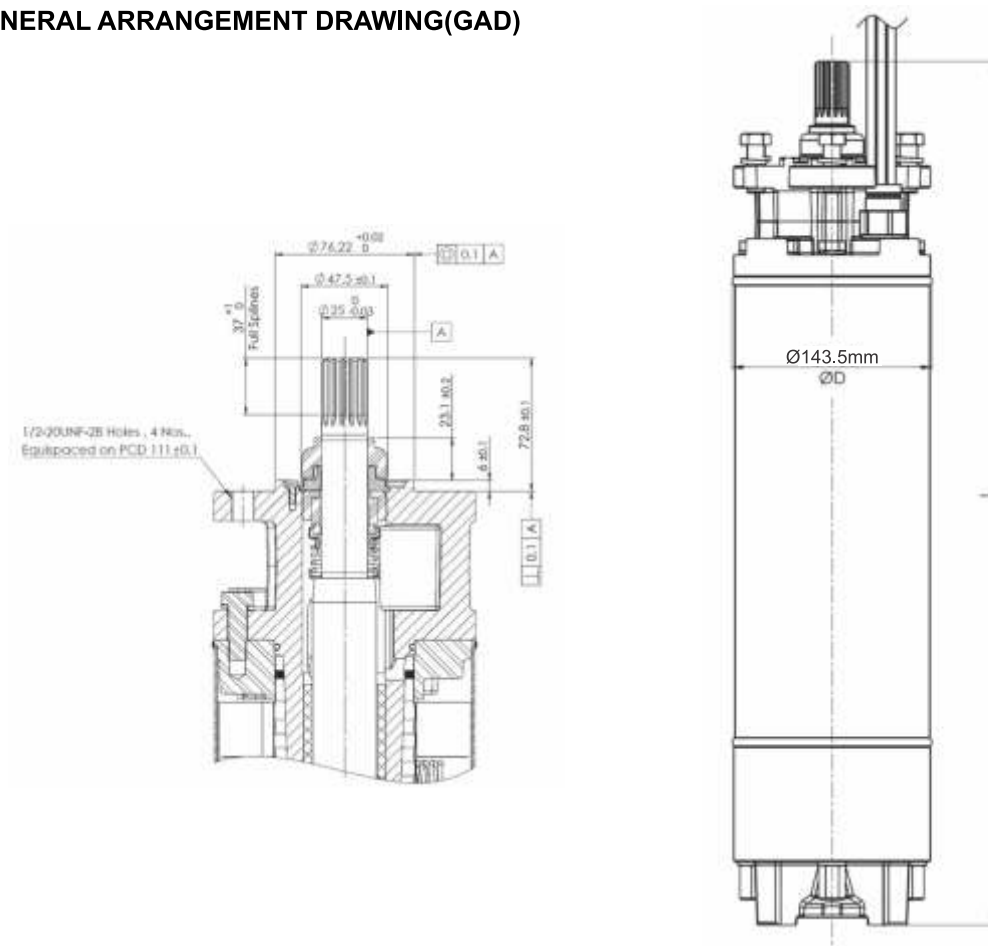
Nominal Diameter : **6"**

**"R" Series**

ELECTRICAL DATA - 6" Three Phase 380 - 415 V, D.O.L.

Model	Power		Full Load Current (A)	Starting Current (A)	Full Load		Max. Down Thrust Load (N)	Full Load Torque (NM)
	kW	HP			Eff (%)	P.F. (%)		
R6B-55T	5.5	7.5	13.00	72	78	78	15500	18.4
R6B-75T	7.5	10	16.80	92	79	82	15500	25.1
R6B-93T	9.3	12.5	21.40	105	79	79	15500	31.2
R6B-110T	11	15	24.30	111	80	82	15500	36.8
R6B-130T	13	17.5	27.50	166	81	84	15500	43.3
R6B-150T	15	20	31.30	197	81	85	15500	49.9
R6B-185T	18.5	25	39.00	238	81.5	84	15500	61.8
R6B-220T	22	30	45.50	278	82	85	15500	73.3

## GENERAL ARRANGEMENT DRAWING(GAD)



## DIMENSIONS AND WEIGHT DATA

Model	Power		Dimensions (mm)		Net Weight (kg)	Cable Leadout	
	kW	HP	D	H		Cable size (Sq.mm)	Cable length (m)
R6B-55T	5.5	7.5	143.5	661	47	10.5	4.5
R6B-75T	7.5	10	143.5	686	50	10.5	4.5
R6B-93T	9.3	12.5	143.5	711	53	10.5	4.5
R6B-110T	11	15	143.5	741	56	10.5	4.5
R6B-130T	13	17.5	143.5	801	62	10.5	4.5
R6B-150T	15	20	143.5	851	68	10.5	4.5
R6B-185T	18.5	25	143.5	896	73	10.5	4.5
R6B-220T	22	30	143.5	961	80	10.5	4.5

In view of continuous developments, the informations / descriptions / specifications / illustrations are subject to change without notice.

# WATER FILLED REWINDABLE SUBMERSIBLE MOTORS

Nominal Diameter : 4", 6", 7", 8" & 10"

## "W" Series Motors

'W' Series submersible motors are eco-friendly, wet, water filled and rewindable type. The stator windings are made of waterproof insulated copper winding wires. Dynamically balanced rotor maintains uniform clearance to increase the life of bush bearings. A specially designed thrust bearing is used to withstand high axial thrust load with minimal wear and tear.

A pressure equalizing rubber diaphragm is provided to equalize the pressure and volume variation of the water inside the motor. Motor sealing is done by 'O' rings, oil seal gasket, sand guard etc., and on some models, mechanical seals are offered instead of oil seal on request. The mounting dimensions of these motors are as per NEMA and International standards. Special design motors are available for higher ambient temperature against customer request.

### Features

- Water cooled re-windable motor
- High efficiency
- Extremely hardwearing water lubricated bearings
- Specially designed thrust bearing to withstand high axial thrust loads.
- Thermal protection in single phase motor
- Can be easily dismantled and repaired

### Applications

These submersible motors are suitable for use with deepwell submersible pumps

- Ground water supply to residences and commercial buildings
- Pressure boosting system
- Public water supply
- Agriculture
- Construction and mining dewatering
- Livestock watering
- Fire fighting

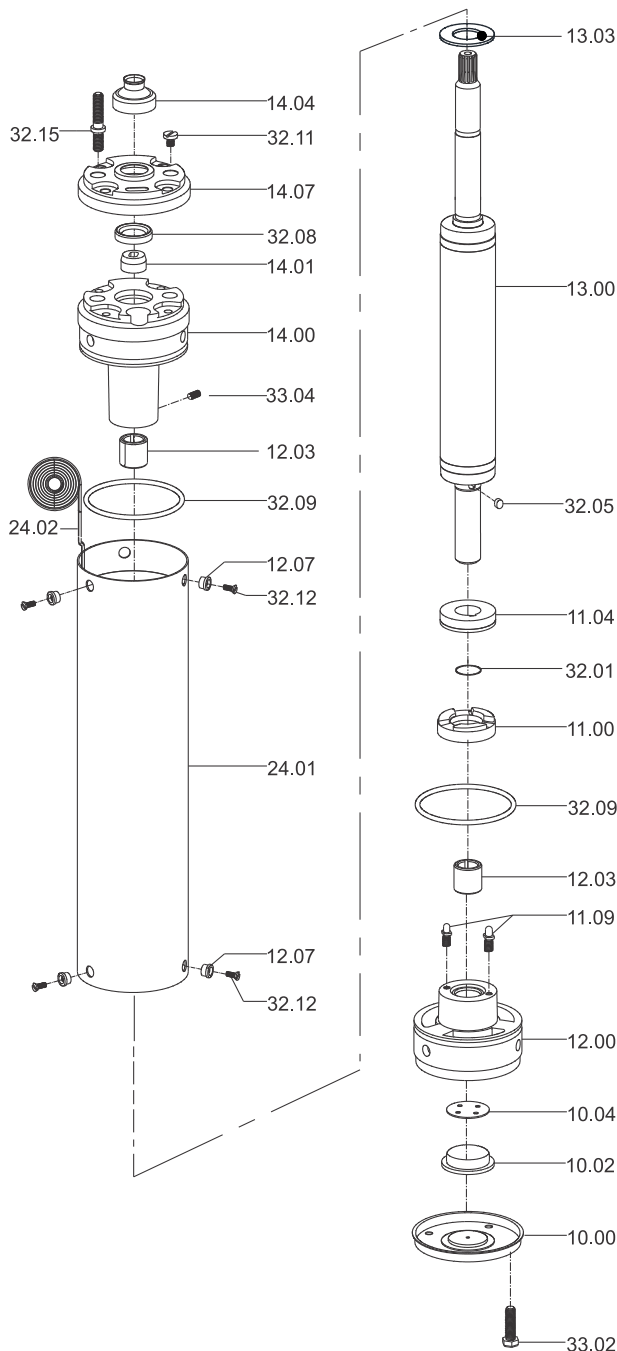


# WATER FILLED REWINDABLE SUBMERSIBLE MOTORS

Nominal Diameter : **4"**

**"W" Series**  
(0.37 kW - 1.5 kW)

## Exploded view



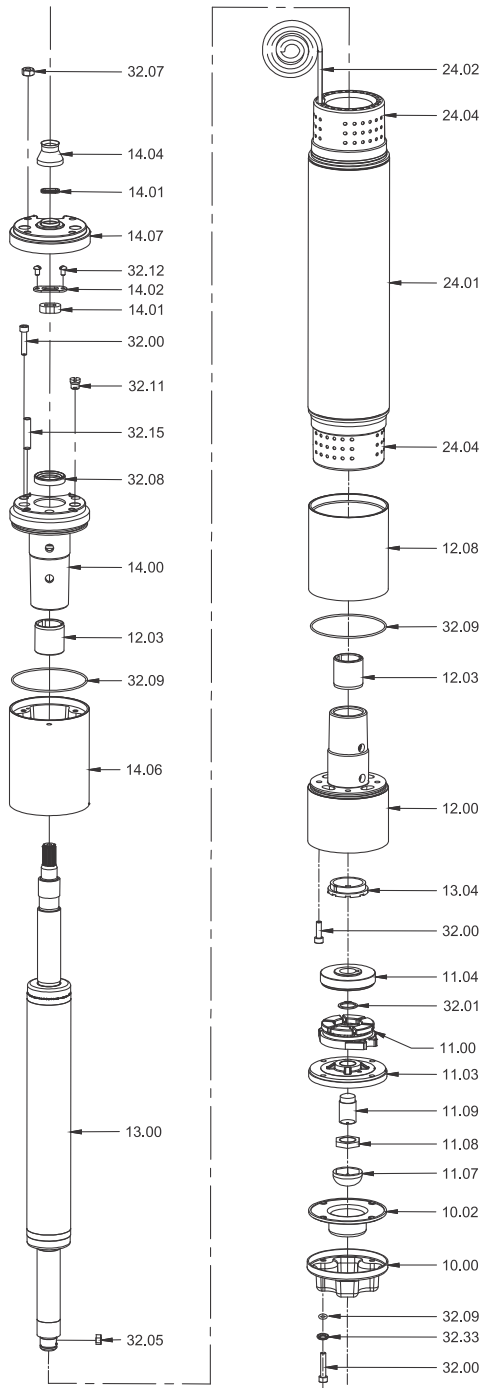
Part No.	Part Name
10.00	Motor Base
10.02	Diaphragm
10.04	Diaphragm guide Plate
11.00	Thrust Base
11.04	Thrust Pad
11.09	Rocker Screw
12.00	Lower Housing
12.03	Bush
12.07	Guide Bush
13.00	Rotor
13.03	Upthrust washer
14.00	Upper Housing
14.01	Cable Grommet
14.04	Rubber Sand Guard
14.07	Upper Housing Shell
24.01	Wound Stator
24.02	Lead out cable
32.01	Circlip
32.05	Pad key
32.08	Oil seal
32.09	O - Ring
32.11	Drain plug
32.12	Screw
32.15	Stud
33.02	Bolt
33.04	Earth screw

# WATER FILLED REWINDABLE SUBMERSIBLE MOTORS

Nominal Diameter : 4"

**"W" Series**  
(2.2 kW - 7.5 kW)

## Exploded view



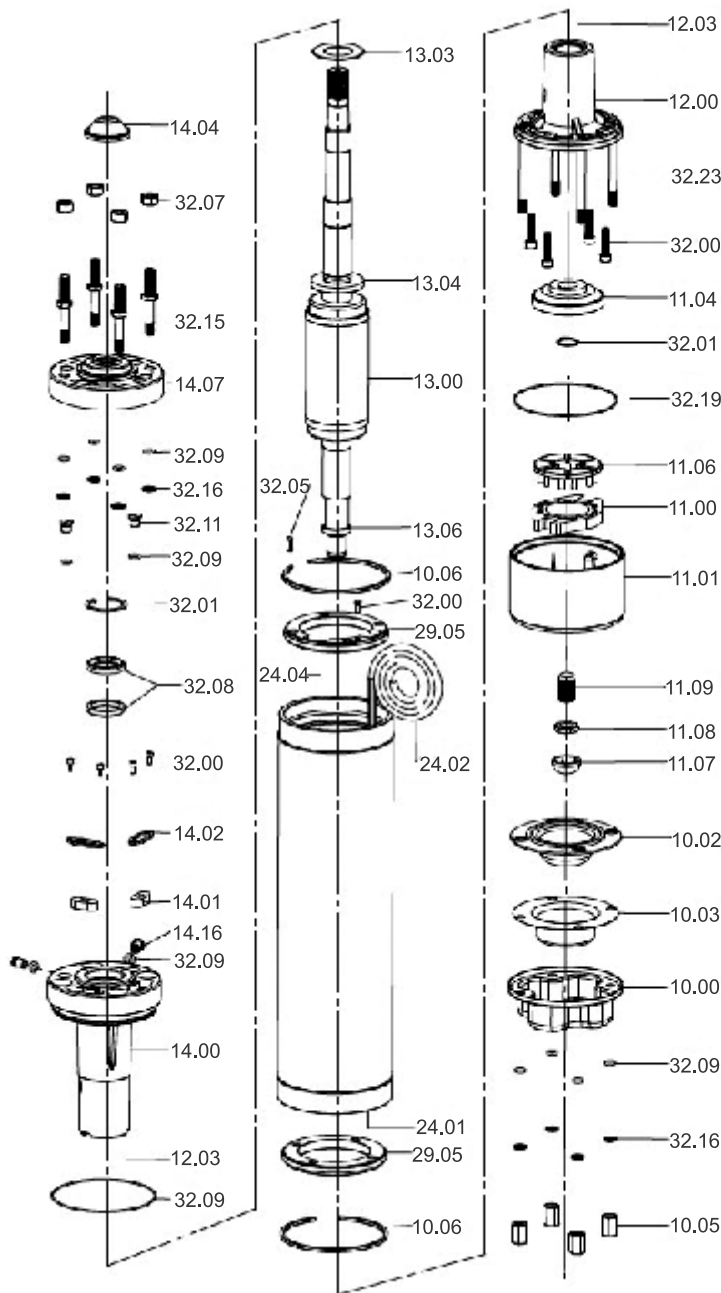
Part No.	Part Name
32.00	Bolt
32.33	Cap Washer
32.09	O Ring
10.00	Motor Base
10.02	Diaphragm
11.07	Rocker Screw Cap
11.08	Rocker Screw Nut
11.09	Rocker Screw
11.03	Thrust Base Plate
11.00	Thrust Base
32.01	Circlip
11.04	Thrust Pad
13.04	Counter Thrust Pad
12.00	Lower Housing
12.03	Carbon Bush
12.08	Lower Pipe
24.04	Winding Guard
24.01	Wound Stator
24.02	Lead Out Cable
32.05	Key
13.00	Rotor
14.06	Upper Pipe
14.00	Upper Housing
32.08	Oil Seal
32.15	Stud
32.11	Drain Plug
14.01	Cable Grommet
14.02	Grommet Clamp
32.12	Screw
14.07	Upper Housing Shell
14.04	Rubber Sand Guard
32.07	Nut

# WATER FILLED REWINDABLE SUBMERSIBLE MOTORS

Nominal Diameter : **6"**  
**Standard Flange type Motor**

**"W" Series**  
 (2.2 kW - 22kW)

## Exploded view



Part No.	Part Name
10.00	Motor Base
10.02	Diaphragm
10.03	Diaphragm Bottom Plate
10.05	Doom Nut
10.06	Snap Ring
11.00	Thrust Base
11.01	Thrust Base Housing
11.04	Thrust pad
11.06	Thrust Segment
11.07	Rocker cap
11.08	Rocker Lock Nut
11.09	Rocker Screw
12.00	Lower Housing
12.03	Bush-Carbon
13.00	Rotor
13.03	Up Thrust Washer
13.04	Counter Thrust Pad
13.06	Pad Supporting Ring
14.00	Upper Housing
14.01	Cable Grommet
14.02	Cable Grommet Lock Plate
14.04	Sand Guard Rubber
14.07	Upper Housing Shell
14.16	Inlet / Outlet Valve
24.01	Wound Stator
24.02	Cable
24.04	Winding Guard
29.05	Retaining Ring
32.00	Bolt
32.01	Circlip
32.05	Key
32.07	Nut
32.08	Oil Seal
32.09	O-Ring
32.11	Plug
32.15	Stud
32.16	Washer
32.19	Gasket
32.23	Tie Rod



# WATER FILLED REWINDABLE SUBMERSIBLE MOTORS

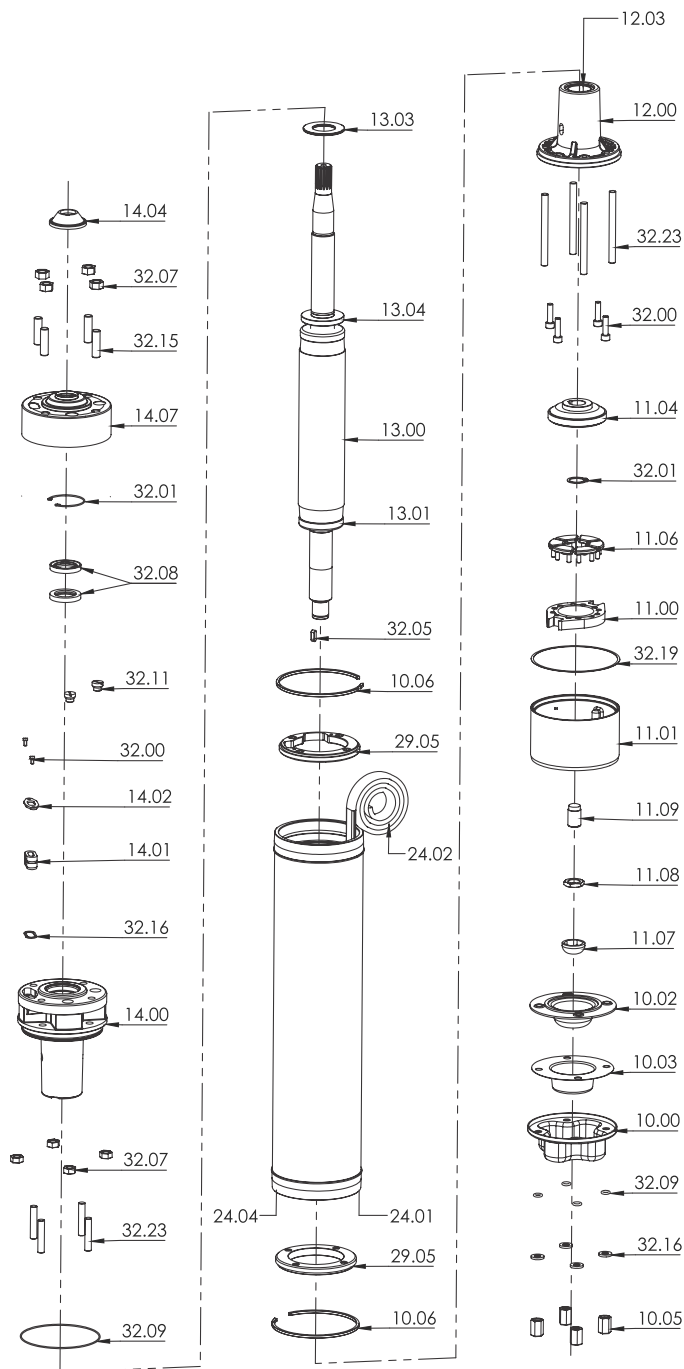
Nominal Diameter : **6"**

**Reduced diameter Flange type Motor (OD 139 mm)**

**"W" Series**

(2.2 kW - 18.5 kW)

## Exploded view



Part No.	Part Name
10.00	Motor Base
10.02	Diaphragm
10.03	Diaphragm Bottom Plate
10.05	Doom Nut
10.06	Snap Ring
11.00	Thrust Base
11.01	Thrust Base Housing
11.04	Thrust pad
11.06	Thrust Segment
11.07	Rocker cap
11.08	Rocker Lock Nut
11.09	Rocker Screw
12.00	Lower Housing
12.03	Bush-Carbon
13.00	Rotor
13.01	Balancing Ring
13.03	Up Thrust Washer
13.04	Counter Thrust Pad
14.00	Upper Housing
14.01	Cable Grommet
14.02	Cable Grommet Lock Plate
14.04	Sand Guard Rubber
14.07	Upper Housing Shell
24.01	Wound Stator
24.02	Cable
24.04	Winding Guard
29.05	Retaining Ring
32.00	Bolt
32.01	Circlip
32.05	Key
32.07	Nut
32.08	Oil Seal
32.09	O-Ring
32.11	Plug
32.15	Stud
32.16	Washer
32.19	Gasket
32.23	Tie Rod

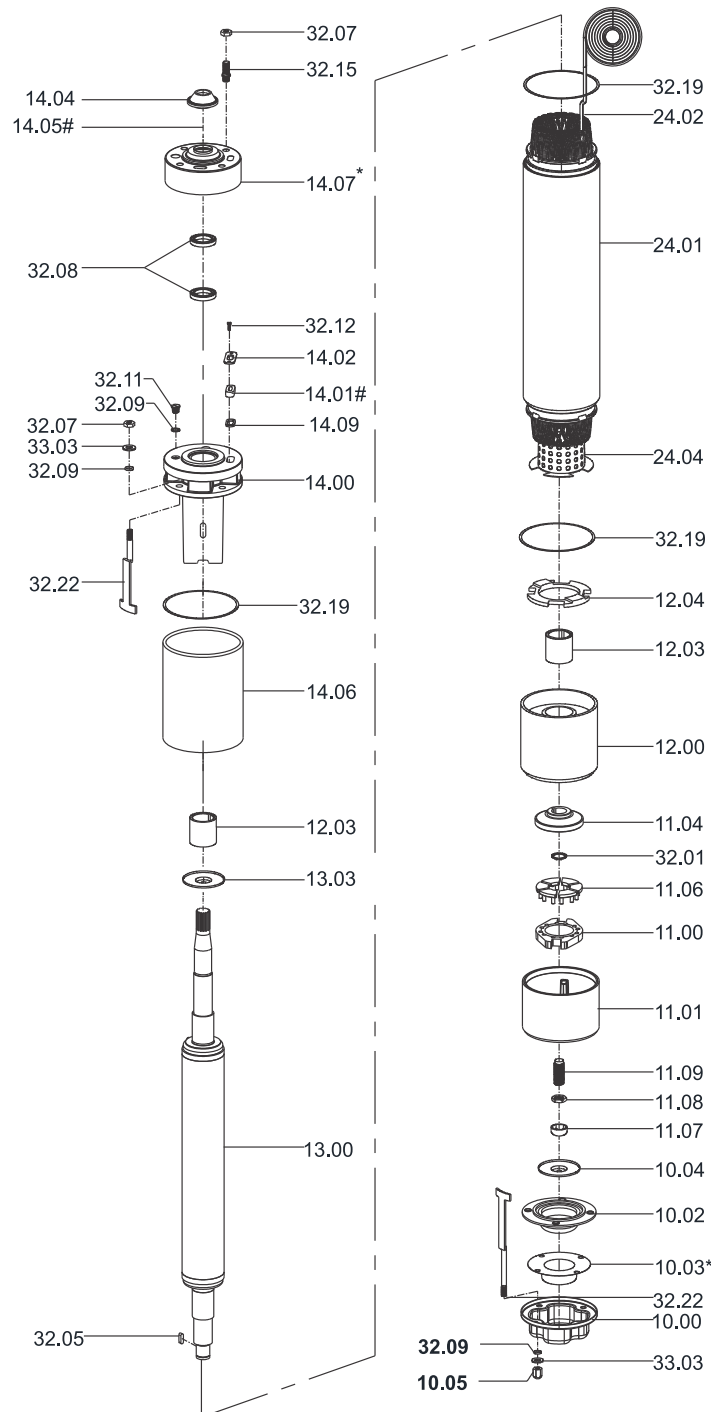
# WATER FILLED REWINDABLE SUBMERSIBLE MOTORS

Nominal Diameter : **6"**

**"W" Series**  
(26 kW - 45 kW)

**T-Bolt Motor (Type - A)**

## Exploded view



Part No.	Part Name
10.00	Motor base
10.02	Diaphragm
10.03*	Diaphragm bottom plate
10.04	Diaphragm guide plate
10.05	Doom nut
11.00	Thrust Base
11.01	Thrust base housing
11.04	Thrust Pad
11.06	Thrust segment
11.07	Rocker screw cap
11.08	Rocker screw nut
11.09	Rocker screw
12.00	Lower housing
12.03	Bush
12.04	Supporting ring
13.00	Rotor
13.03	Upthrust washer
14.00	Upper housing
14.01#	Cable grommet
14.02	Grommet locking plate
14.04	Rubber sand guard
14.05#	Sand guard
14.06	Upper housing Pipe
14.07	Upper housing shell
14.09*	Grommet washer
24.01	Wound stator
24.02	lead out cable
24.04	Winding guard
32.01	Circlip
32.05	Pad key
32.07	Nut
32.08	Oil seal
32.09	O - Ring
32.11	Drain plug
32.12	Screw
32.15	Stud
32.16	Washer
32.19	Gasket
32.22	T' bolt
33.03	Bend washer

# Applicable only for Type 'B' motors.

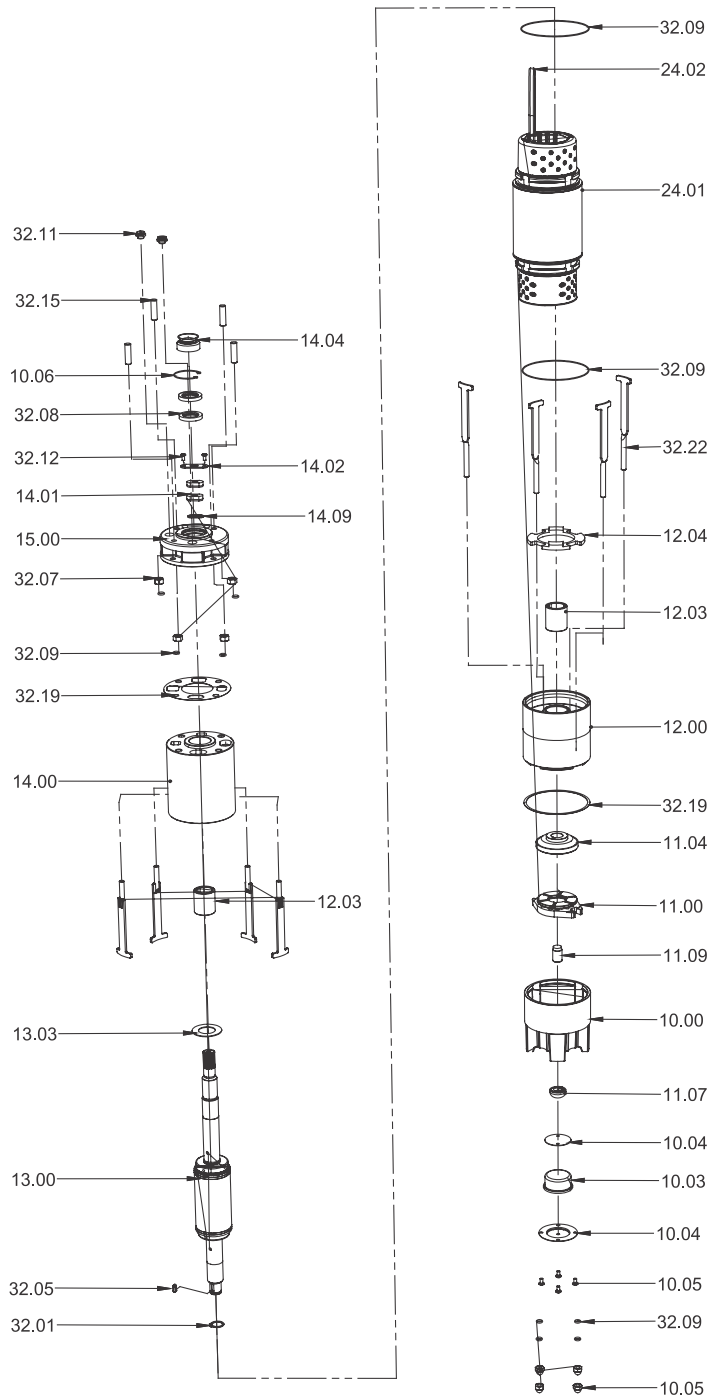
\*Applicable only for Type 'A' motors.

# WATER FILLED REWINDABLE SUBMERSIBLE MOTORS

Nominal Diameter : **6"**

**"W" Series**  
(3.7 kW - 18.5 kW)

**T-Bolt Motor (Type - B)**



Part No.	Part Name
10.00	Motor base
10.03	Diaphragm
10.04	Diaphragm plate
10.05	Doom nut
10.06	Snap Ring
11.00	Thrust Base
11.04	Thrust Pad
11.07	Nut with Rocker cap
11.09	Rocker screw
12.00	Lower housing
12.03	Bush - Carbon
12.04	Supporting ring
13.00	Rotor
13.03	Upthrust washer
14.00	Upper housing
14.01	Cable grommet
14.02	Cable Grommet lock plate
14.04	Sand guard - rubber
14.09	Grommet Washer
15.00	Oil seal housing
24.01	Wound stator
24.02	Cable
32.01	Circlip
32.05	Key
32.07	Nut
32.08	Oil seal
32.09	O - Ring
32.11	Plug
32.12	Screw
32.15	Stud
32.19	Gasket
32.22	Tie bolt

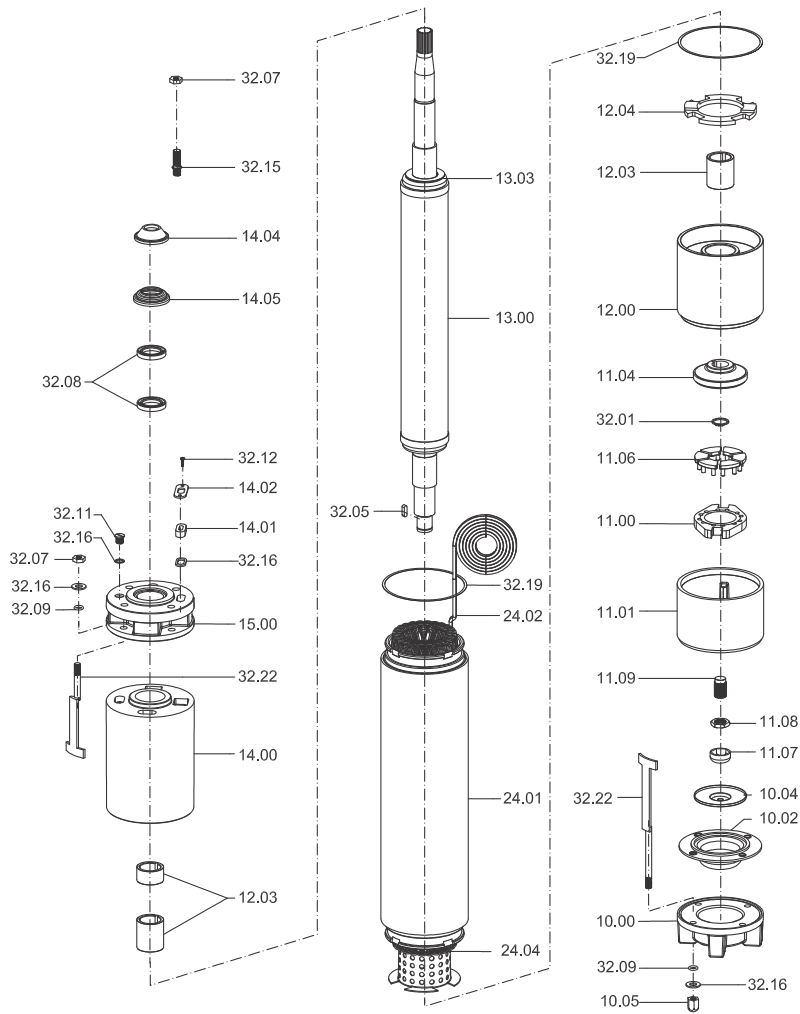
In view of continuous developments, the informations / descriptions / specifications / illustrations are subject to change without notice.

# WATER FILLED REWINDABLE SUBMERSIBLE MOTORS

Nominal Diameter : **6"**

**"W" Series**  
(22 kW - 45 kW)

**T-Bolt Motor (Type - B)**



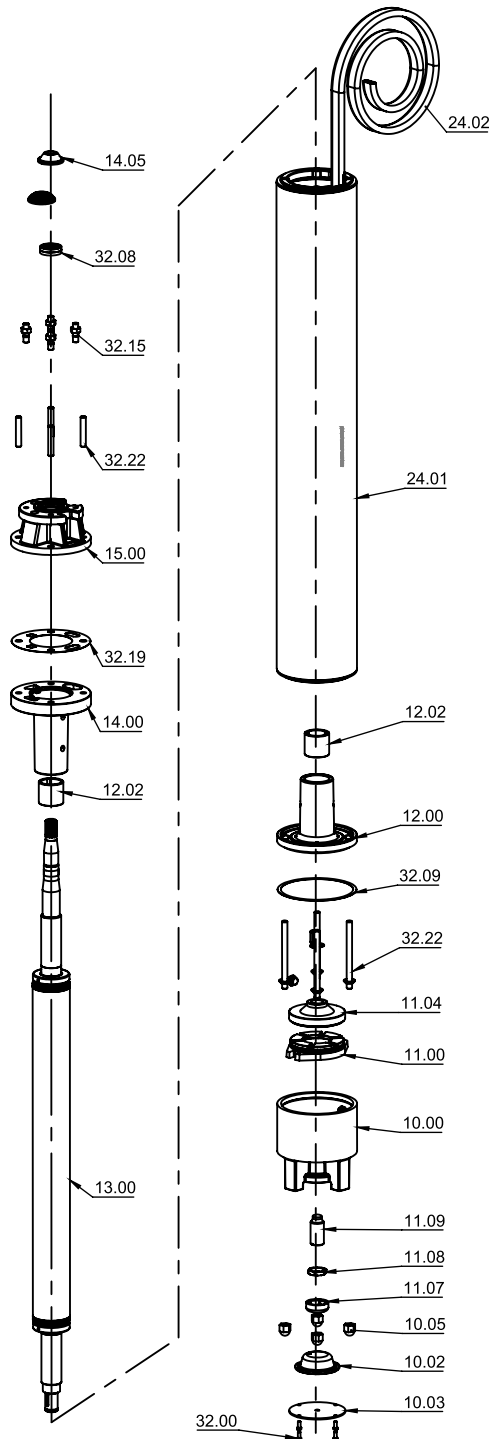
Part No.	Part Name
10.00	Motor base
10.02	Diaphragm
10.04	Diaphragm plate
10.05	Doom nut
11.00	Thrust Base
11.01	Thrust base housing
11.04	Thrust Pad
11.06	Thrust segment
11.07	Rocker cap
11.08	Rocker Lock nut
11.09	Rocker screw
12.00	Lower housing
12.03	Bush - Carbon
12.04	Supporting ring
13.00	Rotor
13.03	Upthrust washer
14.00	Upper housing
14.01	Cable grommet
14.02	Cable Grommet lock plate
14.04	Rubber sand guard
14.05	Sand guard - SS/Bakelite
15.00	Oil seal housing
24.01	Wound stator
24.02	Cable
24.04	Winding guard
32.01	Circlip
32.05	Key
32.07	Nut
32.08	Oil seal
32.09	O - Ring
32.11	Plug
32.12	Screw
32.15	Stud
32.16	Washer
32.19	Gasket
32.22	Tie bolt

# WATER FILLED REWINDABLE SUBMERSIBLE MOTORS

Nominal Diameter : 7"

**"W" Series**  
(37 kW - 75 kW)

## Exploded view



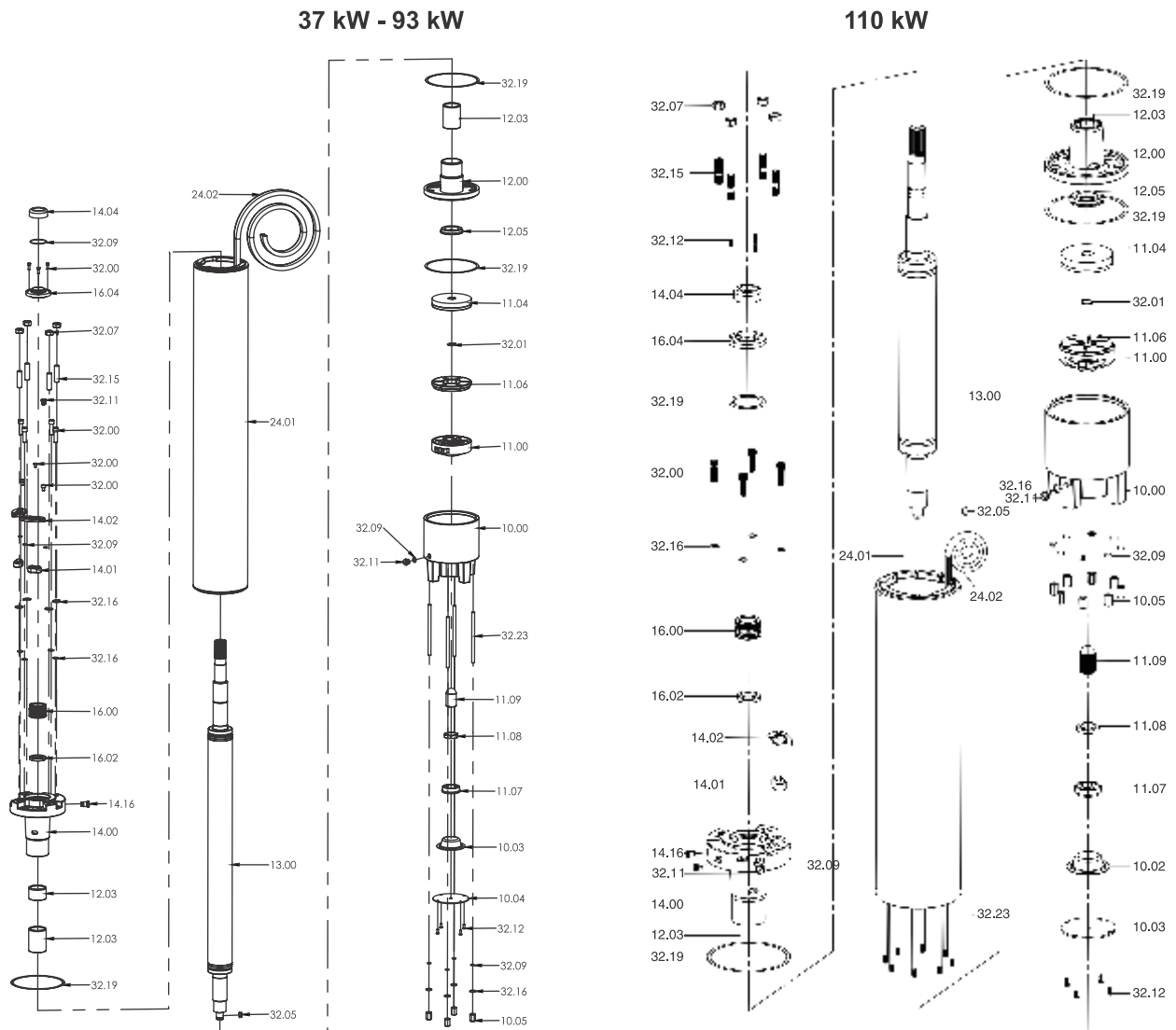
Part No.	Part Name
10.00	Motor Base
10.02	Diaphragm
10.03	Diaphragm Plate
10.05	Doom nut
11.00	Thrust Base
11.04	Thrust Pad
11.07	Rocker Cap
11.08	Rocker Lock nut
11.09	Rocker Screw
12.00	Lower Housing
12.02	Bush-LTB
13.00	Rotor
14.00	Upper Housing
14.05	Sand Guard-SS/Bakelite
15.00	Oil Seal housing
24.01	Wound Stator
24.02	Cable
32.00	Bolt
32.08	Oil Seal
32.09	O-ring
32.15	Stud
32.19	Gasket
32.22	Tie Rod

# WATER FILLED REWINDABLE SUBMERSIBLE MOTORS

Nominal Diameter : **8"**

**"W" Series**  
(37 kW - 110 kW)

## Exploded view



Part No.	Part Name
10.00	Motor Base
10.02	Diaphragm
10.03	Diaphragm Bottom Plate
10.05	Doom nut
11.00	Thrust Base
11.04	Thrust Pad
11.06	Thrust Segment
11.07	Rocker Cap
11.08	Rocker Lock nut
11.09	Rocker Screw
12.00	Lower Housing
12.03	Bush-Carbon

Part No.	Part Name
12.05	Counter Thrust Ring
13.00	Rotor
14.00	Upper Housing
14.01	Cable Grommet
14.02	Cable Grommet Lock Plate
14.04	Sand Guard-Rubber
14.16	Inlet / Outlet Valve
16.00	Mechanical Seal
16.02	Mechanical Seal Rest Washer
16.04	Mechanical Seal Guide Plate
24.01	Wound Stator
24.02	Cable

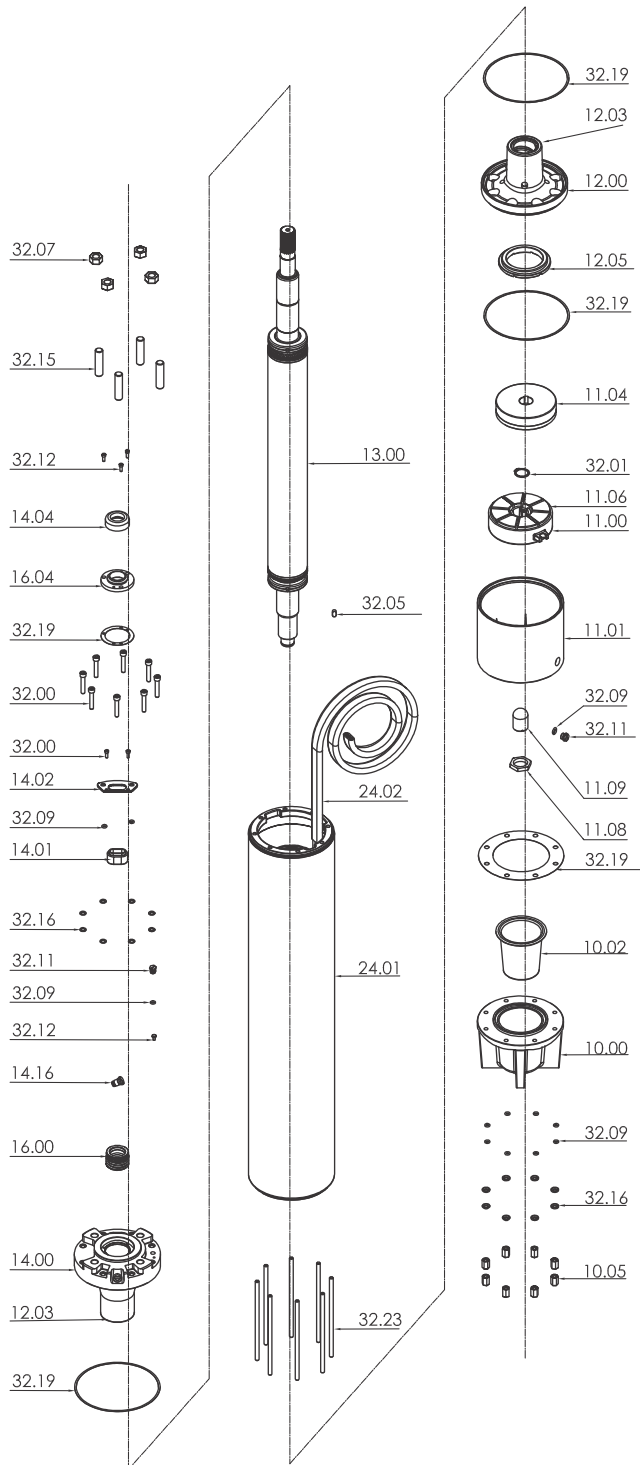
Part No.	Part Name
32.00	Bolt
32.01	Circlip
32.05	Key
32.07	Nut
32.09	O-ring
32.11	Plug
32.12	Screw
32.15	Stud
32.16	Washer
32.19	Gasket
32.23	Tie Rod

# WATER FILLED REWINDABLE SUBMERSIBLE MOTORS

Nominal Diameter : **10"**

**"W" Series**  
(110 kW - 185 kW)

## Exploded view



Part No.	Part Name
10.00	Motor Base
10.02	Diaphragm
10.05	Doom Nut
11.00	Thrust Base
11.01	Thrust Base Housing
11.04	Thrust Pad
11.06	Thrust Segment
11.08	Rocker Lock Nut
11.09	Rocker Screw
12.00	Lower Housing
12.03	Bush - Carbon
12.05	Counter Thrust Ring
13.00	Rotor
14.00	Upper Housing
14.01	Cable Grommet
14.02	Cable Grommet Lock Plate
14.04	Sand Guard Rubber
14.16	Inlet / Outlet Valve
16.00	Mechanical Seal
16.04	Mechanical Seal Guide Plate
24.01	Wound Stator
24.02	Cable
32.00	Bolt
32.01	Circlip
32.05	Key
32.07	Nut
32.09	O-Ring
32.11	Plug
32.12	Screw
32.15	Stud
32.16	Washer
32.19	Gasket
32.23	Tie Rod

# WATER FILLED REWINDABLE SUBMERSIBLE MOTORS

Nominal Diameter : **4"**

**"W" Series**  
(0.37 kW - 7.5 kW)

## Technical Specifications

Nominal Dia	<b>4"</b>
Maximum Outer Diameter	98 mm
Power Range	0.37 - 2.2 kW - Single Phase (Incorporated with Thermal Overload Protector)
	0.37 - 7.5 kW - Three Phase
Speed	2900 rpm
Version	Single Phase - 230V, 50Hz, A.C Supply
	Three Phase - 380-415V, 50Hz, A.C Supply
Class of Insulation	Y
Degree of Protection	IP58
Direction of Rotation	CCW - When viewed from driving end - Single Phase
	Electrically Reversible - Three Phase
Type of Duty	S1 (Continuous)
Down Thrust Load	0.37 - 1.5 kW - 3000 N
	2.2 - 7.5 kW - 6500 N
Minimum Cooling Flow Along the Motor	0.15 m/sec
Maximum Liquid Temperature	35°C
Max. Starts per Hour	20 Times
Shaft End	Splines
Mounting Standard	4" NEMA
Method of Starting	Single Phase - Capacitor Start & Capacitor Run (CSCR)
	Three Phase - Direct On Line (DOL)
Cable Lead out	Permanently connected and sealed 3/4 core EPDM flat cable





# WATER FILLED REWINDABLE SUBMERSIBLE MOTORS

Nominal Diameter : **4"**

**"W" Series**  
(0.37 kW - 7.5 kW)

## Material of Construction

PART NAME	W4A - Single Phase (0.37 - 1.5kW) W4A - Three Phase (0.37 - 1.5kW)		
	EUROPEAN	DIN	AISI / SAE
Upper & Lower Housing	Cast Iron - EN-GJL-200 (X5CrNi 18 9 claded)	GG20 (1.4301 claded)	ASTM A48 Class 30B (ASTM A240 AISI 304 claded)
Housing Pipe	NA	NA	NA
Motor Base & Upper Housing Shell	X5CrNi 18 9	1.4301	ASTM A240 AISI 304
Thrust Pad	Cast Iron - EN-GJL-250 or X12Cr14 with Graphite Carbon	GG25 or 1.4008 with Graphite Carbon	ASTM A48 Class 30B or ASTM A743 CA15 with Graphite Carbon
Thrust Base	X6CrNi 18 9 Base with X20Cr14 Segment	1.4308 Base with 1.4027 Segment	ASTM A743 CF8 Base with ASTM A743 CA40 Segment
Bush Bearing	CB495K	G-CuPb10Sn	ASTM C93700
Sand guard, O Ring & Oil Seal	NBR (Buna - N)	NBR (Buna - N)	NBR (Buna - N)
Diaphragm	HNBR (ASTM -D2000)	HNBR (ASTM -D2000)	HNBR (ASTM -D2000)
Stator Shell	X5CrNi 18 9	1.4301	ASTM A240 AISI 304
Shaft	EN8D with X12Cr13 Shaft	CK45 (1.1191) with 1.4006 Shaft	ASTM A29 AISI 1045 with ASTM A276 AISI 410 Sleeve
Shaft extention	X5CrNiCuNb 16 4	1.4542	ASTM A693 AISI 630 (UNS S17400)

PART NAME	W4A - Single Phase (2.2kW) W4A - Three Phase (2.2 - 7.5kW)		
	EUROPEAN	DIN	AISI / SAE
Upper & Lower Housing	Cast Iron - EN-GJL-200 (X5CrNi 18 9 claded)	GG20 (1.4301 claded)	ASTM A48 Class 30B (ASTM A240 AISI 304 claded)
Housing Pipe	Cast Iron - EN-GJL-250	GG20 (1.4301 claded)	ASTM A48 Class 30B (ASTM A240 AISI 304 claded)
Motor Base & Upper Housing Shell	X5CrNi 18 9	1.4301	ASTM A240 AISI 304
Thrust Pad	Cast Iron - EN-GJL-250 or X12 Cr14 with Graphite Carbon	GG25 or 1.4008 with Graphite Carbon	ASTM A48 Class 30B or ASTM A743 CA15 with Graphite Carbon
Thrust Base	Cast Iron - EN-GJL-250 Base with X20Cr14 Segment	GG25 Base with 1.4027 Segment	ASTM A48 Class 30B Base with ASTM A743 CA40 Segment
Bush Bearing	CB495K	G-CuPb10Sn	ASTM C93700
Diaphragm	HNBR (ASTM - D2000)	HNBR (ASTM - D2000)	HNBR (ASTM - D2000)
Sand guard, O Ring & Oil Seal	NBR (Buna - N)	NBR (Buna - N)	NBR (Buna - N)
Stator Shell	X5CrNi 18 9	1.4301	ASTM A240 AISI 304
Shaft	EN8D with X12Cr13 Sleeve	CK45 (1.1191) with 1.4006 sleeve	ASTM A29 AISI 1045 with ASTM A276 AISI 410
Shaft extension	X5CrNiCuNb 16 4	1.4542	ASTM A693 AISI 630 (UNS S17400)

In view of continuous developments, the informations / descriptions / specifications / illustrations are subject to change without notice.

# WATER FILLED REWINDABLE SUBMERSIBLE MOTORS

Nominal Diameter : **4"**

**"W" Series**  
(0.37 kW - 7.5 kW)

## Material of Construction

PART NAME	W4N - Single Phase (0.37 - 1.5kW) W4N - Three Phase (0.37 - 1.5kW)		
	EUROPEAN	DIN	AISI / SAE
Upper & Lower Housing	Cast Iron - EN-GJL-200 (X5CrNiMo 18 10 clad)	GG20 (1.4401 clad)	ASTM A48 Class 30B (ASTM A240 AISI 316 clad)
Housing Pipe	NA	NA	NA
Motor Base & Upper Housing Shell	X5CrNiMo 18 10	1.4401	ASTM A240 AISI 316
Thrust Pad	Cast Iron - EN-GJL-250 or X12Cr14 with Graphite Carbon	GG25 or 1.4008 with Graphite Carbon	ASTM A48 Class 30B or ASTM A743 CA15 with Graphite Carbon
Thrust Base	X6CrNi 18 9 Base with X20Cr14 Segment	1.4308 Base with 1.4027 Segment	ASTM A743 CF8 Base with ASTM A743 CA40 Segment
Bush Bearing	CB495K	G-CuPb10Sn	ASTM C93700
Diaphragm	HNBR (ASTM -D2000)	HNBR (ASTM -D2000)	HNBR (ASTM -D2000)
Sand guard, O Ring & Oil Seal	NBR (Buna - N)	NBR (Buna - N)	NBR (Buna - N)
Stator Shell	X5CrNiMo 18 10	1.4401	ASTM A240 AISI 316
Shaft	EN8D with X12Cr13 Sleeve	CK45 (1.1191) with 1.4006 Sleeve	ASTM A29 AISI 1045 with ASTM A276 AISI 410 Sleeve
Sand Extension	X5CrNiCuNb 16 4	1.4542	ASTM A693 AISI 630 (UNS S17400)

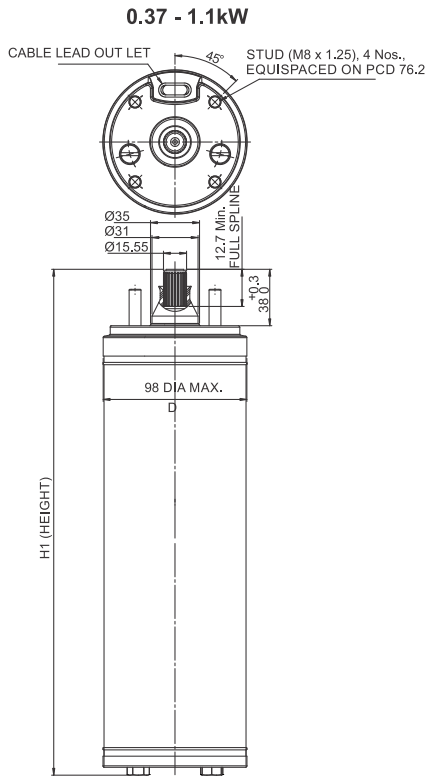
PART NAME	W4N - Single Phase (2.2kW) W4N - Three Phase (2.2 - 7.5kW)		
	EUROPEAN	DIN	AISI / SAE
Upper & Lower Housing	Cast Iron - EN-GJL-200 (X5CrNiMo 18 10 clad)	GG20 (1.4401 clad)	ASTM A48 Class 30 B (ASTM A240 AISI 316 clad)
Housing Pipe	Cast Iron - EN-GJL-250	GG25 (1.4401 clad)	ASTM A48 Class 30 B (ASTM A240 AISI 316 Clad)
Motor Base & Upper Housing Shell	X5CrNiMo 18 10	1.4401	ASTM A240 AISI 316
Thrust Pad	Cast Iron - EN-GJL-250 or X12 Cr14 with Graphite Carbon	GG25 or 1.4008 with Graphite Carbon	ASTM A48 Class 30 B or ASTM A743 CA15 with Graphite Carbon
Thrust Base	Cast Iron - EN-GJL-250 Base with X20Cr14 Segment	GG25 Base with 1.4027 Segment	ASTM A48 Class 30 B Base with ASTM A743 CA40 Segment
Bush Bearing	CB495K	G-CuPb10Sn	ASTM C93700
Diaphragm	HNBR (ASTM - D2000)	HNBR (ASTM - D2000)	HNBR (ASTM - D2000)
Sand guard, O Ring & Oil Seal	NBR (Buna - N)	NBR (Buna - N)	NBR (Buna - N)
Stator Shell	X5CrNiMo 18 10	1.4401	ASTM A240 AISI 316
Shaft	EN8D with X12Cr13 Sleeve	CK45 (1.1191) with 1.4006 sleeve	ASTM A29 AISI 1045 with ASTM A276 AISI 410 Sleeve
Sand extension	X5CrNiCuNb 16 4	1.4542	ASTM A693 AISI 630 (UNS S17400)

# WATER FILLED REWINDABLE SUBMERSIBLE MOTORS

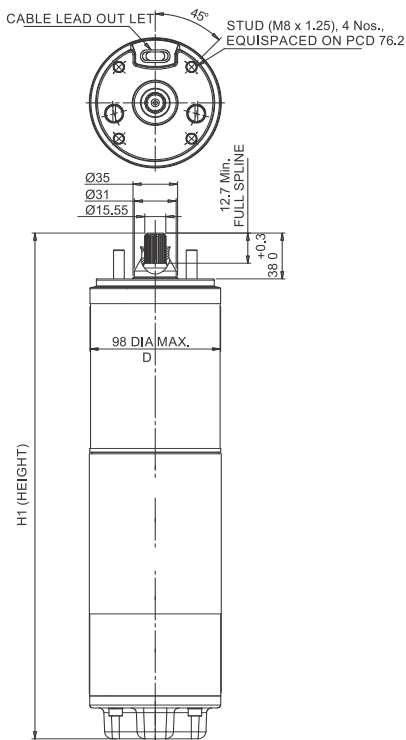
Nominal Diameter : **4"**

**"W"** Series

**General Arrangement Drawing (GAD)**



**1.5 - 7.5kW**



## Electrical Data

### 4" SINGLE PHASE 230V 3 WIRE MOTORS

Model	Power		Full Load Max.(A)	Starting Current (A)	Full load		Max. Down Thrust Load (N)	Starting Torque (Nm)	Torque (Nm)
	kW	HP			Eff. %	Power Factor			
W4A-03S	0.37	0.5	5	16	39	0.89	3000	2	1.2
W4A-05S	0.55	0.75	6	21	52	0.9	3000	2.9	1.8
W4A-07S	0.75	1	7.5	26	54	0.9	3000	4.1	2.5
W4A-11S	1.1	1.5	10	40	57	0.95	3000	6.1	3.7
W4A-15S	1.5	2	12	48	60	0.95	3000	8.3	4.9
W4A-22S	2.2	3	16.5	66	62	0.95	6500	13.3	7.4

### 4" THREE PHASE 380-415V D.O.L MOTORS

Model	Power		Full Load Max.(A)	Starting Current (A)	Full load		Max. Down Thrust Load (N)	Starting Torque (Nm)	Torque (Nm)
	kW	HP			Eff. %	Power Factor			
W4A-03T	0.37	0.5	1.9	5	48	0.74	3000	2.2	1.2
W4A-05T	0.55	0.75	2.4	7	57	0.72	3000	3.4	1.9
W4A-07T	0.75	1	2.8	9	64	0.66	3000	4.5	2.5
W4A-11T	1.1	1.5	3.9	15	67	0.67	3000	6.7	3.7
W4A-15T	1.5	2	4.7	19	68	0.78	3000	9	5
W4A-22T	2.2	3	7.1	32	70	0.77	6500	14.1	7.5
W4A-30T	3	4	9.1	42	72	0.76	6500	19	10
W4A-37T	3.7	5	10.1	50	71	0.78	6500	22	12.4
W4A-40T	4	5.5	10.3	52	69	0.78	6500	23	12.4
W4A-55T	5.5	7.5	14.2	71	71	0.70	6500	33.7	18.7
W4A-75T	7.5	10	18.2	93	72	0.80	6500	45.2	25.1

## DIMENSIONS AND WEIGHT DATA

Model	Power		*Method of Starting	Dimension (mm)		Net Weight (kg)	Cable leadout	
	kW	HP		D	H1		Cable Size (Sq.mm)	Cable Length (m)
W4A-03S	0.37	0.5	S	98	410	11.6	1.5	1.5
W4A-05S	0.55	0.75	S	98	430	12.6	1.5	1.5
W4A-07S	0.75	1	S	98	455	13.8	1.5	1.5
W4A-11S	1.1	1.5	S	98	495	15.7	2.5	1.5
W4A-15S	1.5	2	S	98	545	17.7	2.5	1.5
W4A-22S	2.2	3	S	98	845	33.4	2.5	2
W4A-03T	0.37	0.5	T	98	410	11.7	1.5	1.5
W4A-05T	0.55	0.75	T	98	455	13.3	1.5	1.5
W4A-07T	0.75	1	T	98	475	15.2	1.5	1.5
W4A-11T	1.1	1.5	T	98	525	16.6	1.5	1.5
W4A-15T	1.5	2	T	98	545	17.1	1.5	1.5
W4A-22T	2.2	3	T	98	725	27.6	1.5	2
W4A-30T	3	4	T	98	750	29.5	1.5	2
W4A-37T	3.7	5	T	98	840	32.9	2.5	2
W4A-40T	4	5.5	T	98	865	32.9	2.5	2
W4A-55T	5.5	7.5	T	98	900	38.3	2.5	3
W4A-75T	7.5	10	T	98	1085	44.8	2.5	3

\* METHOD OF STARTING : S - 1P / CSCR / 3 Wire / 50Hz T - 3P / D.O.L. / 60Hz

ALL DIMENSIONS ARE IN mm  
 SPLINED SHAFT : 14 TEETH - MODULE 1.5875  
 PRESSURE ANGLE 30°, A.N.S.I. B-92-1-1970 COUPLING CLASS 5

In view of continuous developments, the informations / descriptions / specifications / illustrations are subject to change without notice.

# WATER FILLED REWINDABLE SUBMERSIBLE MOTORS

Nominal Diameter : **6"**

**"W"** Series

## Technical Specifications

Nominal Dia	<b>6"</b>
Maximum Outer Diameter	W6A - 145 mm W6B - 144 mm
Power Range	2.2 - 45 kW - Three Phase
Speed	2900 rpm
Version	Three Phase - 380- 415V & 525V, 50Hz, A.C Supply
Class of Insulation	Y
Degree of Protection	IP58 / IP68
Direction of Rotation	Electrically Reversible
Type of Duty	S1 (Continuous)
Down Thrust Load	2.2 - 22 kW - 15500 N
	26 - 45 kW - 27500 N
Minimum Cooling Flow Along the Motor	0.15 m/sec
Maximum Liquid Temperature	Standard - 35°C, Optional : High Temp. - 50°C
Max. Starts per Hour	15 Times
Shaft End	Splines
Mounting Standard	6" NEMA
Method of Starting	2.2 - 45 kW - Direct On Line (DOL)
	5.5 - 45 kW - Star Delta (SD)
Cable Lead out	Permanently Connected and Sealed 3/4/6 Core EPDM Flat Cable
Thermal Protection	Optional - PT 100 Sensor



## Material of Construction

PART NAME	MATERIAL - W6A (2.2 - 45 kW)		
	EUROPEAN	DIN	AISI / SAE
Thrust Base Housing, Upper & Lower Housing	Cast Iron - EN-GJL-220 (X5CrNi 18 9 Claded)	GG20 (1.4301 Claded)	ASTM A48 Class 30 B (ASTM A240 AISI 304 Claded)
Upper / Lower Housing Pipe (26 - 45kW)	Cast Iron - EN-GJL-220 (X5CrNi 18 9 Claded)	GG20 (1.4301 Claded)	ASTM A48 Class 30 B (ASTM A240 AISI 304 Claded)
Motor Base	X5CrNi 18 9	1.4301	ASTM A240 AISI 304
Thrust Pad	Cast Iron - EN-GJL-250 with Graphite Carbon	GG25 with Graphite Carbon	ASTM A48 Class 30 B with Graphite Carbon
Thrust Base	Cast Iron - EN-GJL-250 Base with X20Cr14 Segment	GG25 Base with 1.4027 Segment	ASTM A48 Class 30 B Base with ASTM A743 CA40 Segment
Bush Bearing	Graphite Carbon	Graphite Carbon	Graphite Carbon
Diaphragm	HNBR (ASTM -D2000)	HNBR (ASTM -D2000)	HNBR (ASTM -D2000)
O Ring & Oil Seal	Standard - NBR (Buna - N) Optional : Fluoroelastomer (FKM - Viton)	Standard - NBR (Buna - N) Optional : Fluoroelastomer (FKM - Viton)	Standard - NBR (Buna - N) Optional : Fluoroelastomer (FKM - Viton)
Stator Shell	X5CrNi 18 9	1.4301	ASTM A240 AISI 304
Shaft	2.2 -18.5kW - X17CrNi16 2 22 - 45kW - EN8 with X17CrNi 16 2 Sleeve	2.2 -18.5kW - 1.4057 22kW - 45kW - CK45 (1.1191) with 1.4057 sleeve	2.2 -18.5kW - ASTM A276 AISI 431 22kW - 45kW - ASTM A29 AISI 1045 with ASTM A276 AISI 431 Sleeve
Shaft extention	X5CrNiCuNb 16 4	1.4542	ASTM A693 AISI 630 (UNS S17400)

Optional : Mechanical Seal

# WATER FILLED REWINDABLE SUBMERSIBLE MOTORS

Nominal Diameter : **6"**

**"W"** Series

## Material of Construction

PART NAME	MATERIAL - W6N (2.2 - 45kW)		
	EUROPEAN	DIN	AISI / SAE
Thrust Base Housing, Upper & Lower Housing	Cast Iron - EN-GJL-220 (X5CrNiMo 18 10 claded)	GG20 (1.4401 Claded)	ASTM A48 Class 30B (ASTM A240 AISI 316 Claded)
Upper / Lower Housing Pipe (22 - 45kW)	Cast Iron - EN-GJL-220 (X5CrNiMo 18 10 claded)	GG20 (1.4401 Claded)	ASTM A48 Class 30B (ASTM A240 AISI 316 Claded)
Motor Base	X5CrNiMo18 10	1.4401	ASTM A240 AISI 316
Thrust Pad	Cast Iron - EN-GJL-250 with Graphite Carbon	GG25 with Graphite Carbon	ASTM A48 Class 30B with Graphite Carbon
Thrust Base	Cast Iron - EN-GJL-250 Base with X20Cr14 Segment	GG25 Base with 1.4027 Segment	ASTM A48 Class 30B Base with ASTM A743 CA40 Segment
Bush Bearing	Graphite Carbon	Graphite Carbon	Graphite Carbon
Diaphragm	HNBR (ASTM -D2000)	HNBR (ASTM -D2000)	HNBR (ASTM -D2000)
Sand guard, O Ring & Oil Seal	Standard - NBR (Buna - N) Optional : Fluoroelastomer (FKM - Viton)	Standard - NBR (Buna - N) Optional : Fluoroelastomer (FKM - Viton)	Standard - NBR (Buna - N) Optional : Fluoroelastomer (FKM - Viton)
Stator Shell	X5CrNiMo 18 10	1.4401	ASTM A240 AISI 316
Shaft	2.2 -18.5kW - X17CrNi16 2 22 - 45kW - EN8 with X17CrNi 16 2 Sleeve	2.2 -18.5kW - 1.4057 22 - 45kW - CK45 (1.1191) with 1.4057 sleeve	2.2 -18.5kW - ASTM A276 AISI 431 22 - 45kW - ASTM A29 AISI 1045 with ASTM A276 AISI 431 Sleeve
Shaft Extention	X5CrNiCuNb 16 4	1.4542	ASTM A693 AISI 630 (UNS S17400)

PART NAME	MATERIAL - W6B (3.7 - 45kW)		
	EUROPEAN	DIN	AISI / SAE
Thrust Base Housing, Upper & Lower Housing	Cast Iron - EN-GJL-220	GG20	ASTM A48 Class 30B
Oil Seal Housing (3.7 - 18.5kW)	Cast Iron - EN-GJL-220	GG20	ASTM A48 Class 30B
Upper / Lower Pipe (22 - 45kW)	Cast Iron - EN-GJL-220	GG20	ASTM A48 Class 30B
Thrust Pad	Cast Iron - EN-GJL-250 with Graphite Carbon	GG25 with Graphite Carbon	ASTM A48 Class 30B with Graphite Carbon
Thrust Base	Cast Iron - EN-GJL-250 Base with X20Cr14 Segment	GG25 Base with 1.4027 Segment	ASTM A48 Class 30B Base with ASTM A743 CA40 Segment
Bush Bearing	Graphite Carbon	Graphite Carbon	Graphite Carbon
Diaphragm	HNBR (ASTM -D2000)	HNBR (ASTM -D2000)	HNBR (ASTM -D2000)
O Ring & Oil Seal	Standard - NBR (Buna - N) Optional : Fluoroelastomer (FKM - Viton)	Standard - NBR (Buna - N) Optional : Fluoroelastomer (FKM - Viton)	Standard - NBR (Buna - N) Optional : Fluoroelastomer (FKM - Viton)
Stator Shell	X5CrNi 18 9	1.4301	ASTM A240 AISI 304
Shaft	3.7 -18.5kW - X17CrNi16 2 22 - 45kW - EN8 with X17CrNi 16 2 Sleeve	3.7 -18.5kW - 1.4057 22kW - 45kW - CK45 (1.1191) with 1.4057 sleeve	3.7 -18.5kW - ASTM A276 AISI 431 22kW - 45kW - ASTM A29 AISI 1045 with ASTM A276 AISI 431 Sleeve
Sand Guard (Stainless Steel & Rubber)	X5CrNi 18 9 & NBR (Buna - N)	1.4301 & NBR (Buna - N)	ASTM A240 AISI 304 & NBR (Buna - N)
Shaft Extention	X5CrNiCuNb 16 4	1.4542	ASTM A693 AISI 630 (UNS S17400)

Optional : Mechanical Seal

In view of continuous developments, the informations / descriptions / specifications / illustrations are subject to change without notice.

# WATER FILLED REWINDABLE SUBMERSIBLE MOTORS

Nominal Diameter : **6"****"W"** Series

## Material of Construction

PART NAME	MATERIAL - W6S (2.2 - 18.5 kW)		
	EUROPEAN	DIN	AISI /SAE
Thrust Base Housing, Upper & Lower Housing	X5CrNi 18 9	1.4308	ASTM A351 CF8
Upper / Lower Housing Pipe (22 - 45kW)	X5CrNi 18 9	1.4308	ASTM A351 CF8
Motor Base	X5CrNi 18 9	1.4301	ASTM A240 AISI 304
Thrust Pad	Cast Iron - EN-GJL-250 with Graphite Carbon	GG25 with Graphite Carbon	ASTM A48 Class 30 B with Graphite Carbon
Thrust Base	Cast Iron - EN-GJL-250 Base with X20Cr14 Segment	GG25 Base with 1.4027 Segment	ASTM A48 Class 30 B Base with ASTM A743 CA40 Segment
Bush Bearing	Graphite Carbon	Graphite Carbon	Graphite Carbon
Diaphragm	HNBR (ASTM -D2000)	HNBR (ASTM -D2000)	HNBR (ASTM -D2000)
O Ring & Oil Seal	Standard - NBR (Buna - N) Optional : Fluoroelastomer (FKM - Viton)	Standard - NBR (Buna - N) Optional : Fluoroelastomer (FKM - Viton)	Standard - NBR (Buna - N) Optional : Fluoroelastomer (FKM - Viton)
Stator Shell	X5CrNi 18 9	1.4301	ASTM A240 AISI 304
Shaft	2.2 -18.5kW - X17CrNi16 2 22 - 45kW - EN8 with X17CrNi 16 2 Sleeve	2.2 -18.5kW - 1.4057 22kW - 45kW - CK45 (1.1191) with 1.4057 sleeve	2.2 -18.5kW - ASTM A276 AISI 431 22kW - 45kW - ASTM A29 AISI 1045 with ASTM A276 AISI 431 Sleeve
Sand Guard (Stainless Steel & Rubber)	X5CrNi18 9 & NBR (Buna - N)	1.4301 & NBR (Buna - N)	ASTM A240 AISI 304 & NBR (Buna - N)
Shaft extention	X5CrNiCuNb 16 4	1.4542	ASTM A693 AISI 630 (UNS S17400)

PART NAME	MATERIAL - W6T (2.2 - 18.5 kW)		
	EUROPEAN	DIN	AISI / SAE
Thrust Base Housing, Upper & Lower Housing	X5CrNiMo 18 10	1.4408	ASTM A351 CF8M
Upper / Lower Housing Pipe (26 - 45kW)	X6CrNiMo 18 10	1.4408	ASTM A351 CF8M
Motor Base	X6CrNiMo 18 10	1.4408	ASTM A240 AISI 316
Thrust Pad	Cast Iron - EN-GJL-250 with Graphite Carbon	GG25 with Graphite Carbon	ASTM A48 Class 30B with Graphite Carbon
Thrust Base	Cast Iron - EN-GJL-250 Base with X20Cr14 Segment	GG25 Base with 1.4027 Segment	ASTM A48 Class 30B Base with ASTM A743 CA40 Segment
Bush Bearing	Graphite Carbon	Graphite Carbon	Graphite Carbon
Diaphragm	HNBR (ASTM -D2000)	HNBR (ASTM -D2000)	HNBR (ASTM -D2000)
O Ring & Oil Seal	Standard - NBR (Buna - N) Optional : Fluoroelastomer (FKM - Viton)	Standard - NBR (Buna - N) Optional : Fluoroelastomer (FKM - Viton)	Standard - NBR (Buna - N) Optional : Fluoroelastomer (FKM - Viton)
Stator Shell	X6CrNiMo 18 10	1.4401	ASTM A240 AISI 316
Shaft	2.2 -18.5kW - X17CrNi16 2 22 - 45kW - EN8 with X17CrNi 16 2 Sleeve	2.2 -18.5kW - 1.4057 22kW - 45kW - CK45 (1.1191) with 1.4057 sleeve	2.2 -18.5kW - ASTM A276 AISI 431 22kW - 45kW - ASTM A29 AISI 1045 with ASTM A276 AISI 431 Sleeve
Sand Guard (Stainless Steel Rubber)	X5CrNiMo 18 10 & Nitrile Rubber (NBR) / Buna-N	1.4401 & NBR (Buna - N)	ASTM A240 AISI 316 & NBR (Buna - N)
Shaft extention	X5CrNiCuNb 16 4	1.4542	ASTM A693 AISI 630 (UNS S17400)

Optional : Mechanical Seal

# WATER FILLED REWINDABLE SUBMERSIBLE MOTORS

Nominal Diameter : **6"**

**"W"** Series

## Electrical Data

### 6" THREE PHASE 380V, D.O.L. & S.D MOTORS

Model		Power		Full Load Max (A)	Starting Current (A)	Full Load		Max. Down Thrust Load (N)	Starting Torque (Nm)	Torque (Nm)
D.O.L	S.D	kW	HP			Eff.%	Power Factor			
W6A-22T	-	2.2	3	6.5	25	70	0.73	15500	14	8
W6A-30T	-	3	4	8.5	33	72	0.75	15500	20	11
W6A-37T	-	3.7	5	10.5	40	73	0.75	15500	20	13
W6A-40T	-	4	5.5	11	41	76	0.72	15500	20	14
W6A-45T	-	4.5	6	12.5	46	76	0.77	15500	21	15
W6A-55T	W6A-55D	5.5	7.5	13.7	50	78	0.78	15500	24	18
W6A-75T	W6A-75D	7.5	10	19	67	82	0.76	15500	27	25
W6A-93T	W6A-93D	9.3	12.5	22	81	82	0.8	15500	35	31
W6A-110T	W6A-110D	11	15	26	99	82	0.81	15500	43	37
W6A-130T	W6A-130D	13	17.5	30	115	83	0.81	15500	51	43
W6A-150T	W6A-150D	15	20	34	145	83	0.82	15500	62	49
W6A-185T	W6A-185D	18.5	25	43	185	83	0.82	15500	98	61
W6A-220T	W6A-220D	22	30	50	222	83	0.82	15500	115	73
W6A-260T	W6A-260D	26	35	57	267	83	0.83	27500	130	85
W6A-300T	W6A-300D	30	40	68	352	83	0.83	27500	190	97
W6A-370T	W6A-370D	37	50	84	416	82	0.82	27500	240	122
W6A-450T	W6A-450D	45	60	95	461	82	0.82	27500	390	150

### 6" THREE PHASE, 400V, D.O.L. & S.D MOTORS

Model		Power		Full Load Max (A)	Starting Current (A)	Full Load		Max. Down Thrust Load (N)	Starting Torque (Nm)	Torque (Nm)
D.O.L	S.D	kW	HP			Eff.%	Power Factor			
W6A-22T	-	2.2	3	6.2	24	70	0.73	15500	14	8
W6A-30T	-	3	4	8.3	32	72	0.73	15500	20	11
W6A-37T	-	3.7	5	10.2	39	73	0.72	15500	20	13
W6A-40T	-	4	5.5	10.8	42	76	0.72	15500	19	13
W6A-45T	-	4.5	6	12.2	47	77	0.77	15500	20	14
W6A-55T	W6A-55D	5.5	7.5	13.5	51	78	0.78	15500	23	17
W6A-75T	W6A-75D	7.5	10	18.5	68	83	0.76	15500	26	24
W6A-93T	W6A-93D	9.3	12.5	21.5	82	83	0.8	15500	34	30
W6A-110T	W6A-110D	11	15	25	100	82	0.81	15500	42	36
W6A-130T	W6A-130D	13	17.5	29.5	116	83	0.81	15500	50	42
W6A-150T	W6A-150D	15	20	33.5	146	83	0.82	15500	61	48
W6A-185T	W6A-185D	18.5	25	42.5	186	83	0.82	15500	97	60
W6A-220T	W6A-220D	22	30	49.5	223	83	0.82	15500	115	73
W6A-260T	W6A-260D	26	35	56.5	268	83	0.83	27500	135	85
W6A-300T	W6A-300D	30	40	67.5	353	83	0.83	27500	190	97
W6A-370T	W6A-370D	37	50	83	418	83	0.82	27500	240	122
W6A-450T	W6A-450D	45	60	94	463	83	0.82	27500	390	150

# WATER FILLED REWINDABLE SUBMERSIBLE MOTORS

Nominal Diameter : **6"****"W"** Series

## Electrical Data

### 6" THREE PHASE 415V, D.O.L. & S.D MOTORS

Model		Power		Full Load Max (A)	Starting Current (A)	Full Load		Max. Down Thrust Load (N)	Starting Torque (Nm)	Torque (Nm)
D.O.L	S.D	kW	HP			Eff.%	Power Factor			
W6A-22T	-	2.2	3	6.0	23	70	0.73	15500	14	8
W6A-30T	-	3	4	8.2	31	72	0.71	15500	20	11
W6A-37T	-	3.7	5	10.0	38	73	0.70	15500	20	13
W6A-40T	-	4	5.5	10.8	43	76	0.70	15500	20	14
W6A-45T	-	4.5	6	12	48	76	0.75	15500	21	15
W6A-55T	W6A-55D	5.5	7.5	13.5	52	78	0.77	15500	24	18
W6A-75T	W6A-75D	7.5	10	18.5	70	82	0.75	15500	27	25
W6A-93T	W6A-93D	9.3	12.5	21	84	82	0.79	15500	35	31
W6A-110T	W6A-110D	11	15	25	102	82	0.80	15500	43	37
W6A-130T	W6A-130D	13	17.5	29.5	118	83	0.80	15500	51	43
W6A-150T	W6A-150D	15	20	33	148	83	0.81	15500	62	49
W6A-185T	W6A-185D	18.5	25	42.5	188	83	0.81	15500	98	61
W6A-220T	W6A-220D	22	30	49.2	225	83	0.81	15500	118	74
W6A-260T	W6A-260D	26	35	56.5	270	83	0.82	27500	138	86
W6A-300T	W6A-300D	30	40	67.2	355	83	0.82	27500	196	98
W6A-370T	W6A-370D	37	50	83	420	82	0.82	27500	245	123
W6A-450T	W6A-450D	45	60	93	465	82	0.83	27500	396	151

### 6" THREE PHASE 525V, D.O.L. & S.D. MOTORS

Model		Power		Full Load Max (A)	Starting Current (A)	Full Load		Max. Down Thrust Load (N)	Starting Torque (Nm)	Torque (Nm)
D.O.L	S.D	kW	HP			Eff.%	Power Factor			
W6A-55TN	W6A-55DN	5.5	7.5	11	45	79.3	0.72	15500	24	18.4
W6A-75TN	W6A-75DN	7.5	10	15	60	75	0.81	15500	28	24.5
W6A-93TN	W6A-93DN	9.3	12.5	19.5	85	78.3	0.8	15500	35	30.6
W6A-110TN	W6A-110DN	11	15	20	95	82.5	0.8	15500	43.2	36.7
W6A-130TN	W6A-130DN	13	17.5	22.5	112	83	0.82	15500	51	43
W6A-150TN	W6A-150DN	15	20	27	135	82.5	0.82	15500	61.8	49
W6A-185TN	W6A-185DN	18.5	25	32	152	86	0.82	15500	98.1	61.3
W6A-220TN	W6A-220DN	22	30	38	180	83	0.8	15500	118	73.5
W6A-260TN	W6A-260DN	26	35	44	200	83.5	0.83	27500	138.3	85.8
W6A-300TN	W6A-300DN	30	40	51	235	84	0.83	27500	196.1	98.1
W6A-370TN	W6A-370DN	37	50	65	285	85	0.85	27500	245	122.6
W6A-450TN	W6A-450DN	45	60	75	340	85.5	0.85	27500	396	150



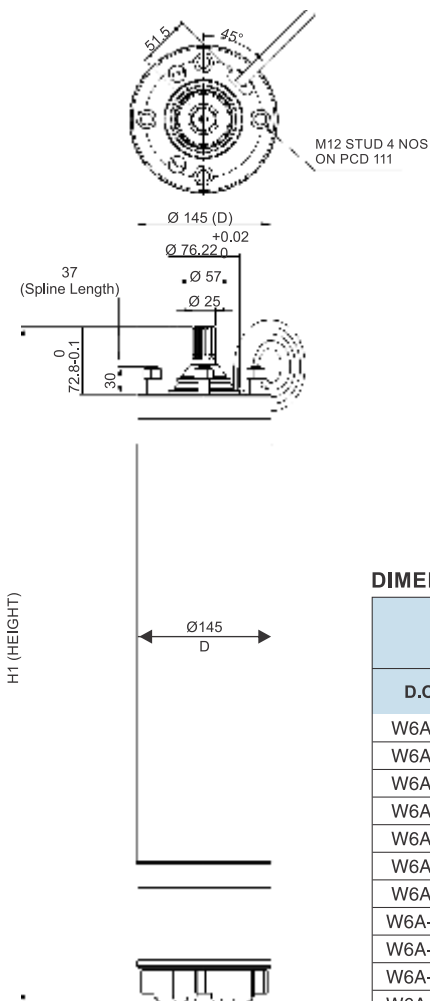
# WATER FILLED REWINDABLE SUBMERSIBLE MOTORS

Nominal Diameter : **6"**

**"W" Series**  
(2.2 kW - 22 kW)

## Standard Flange Type Motor

General Arrangement Drawing(GAD)



### DIMENSIONS AND WEIGHT DATA

Model		Power		*Method of Starting	Dimension (mm)		Net Weight (kg)	Cable leadout		
D.O.L	S.D	kW	HP		D	H1		Cable Size (Sq.mm)		Cable Length (m)
								D.O.L	S.D	
W6A-22T	-	2.2	3	T	145	724	41	2.5	-	1.5
W6A-37T	-	3.7	5	T	145	734	47	2.5	-	1.5
W6A-40T	-	4	5.5	T	145	734	47	2.5	-	1.5
W6A-45T	-	4.5	6	T	145	754	48	2.5	-	1.5
W6A-55T	W6A-55D	5.5	7.5	T / D	145	804	51	4	2.5	1.5
W6A-75T	W6A-75D	7.5	10	T / D	145	854	57	4	2.5	1.5
W6A-93T	W6A-93D	9.3	12.5	T / D	145	884	60	6	2.5	2.5
W6A-110T	W6A-110D	11	15	T / D	145	924	64	6	4	2.5
W6A-130T	W6A-130D	13	17.5	T / D	145	964	69	6	4	2.5
W6A-150T	W6A-150D	15	20	T / D	145	1004	74	10	4	2.5
W6A-185T	W6A-185D	18.5	25	T / D	145	1084	82	10	4	2.75
W6A-220T	W6A-220D	22	30	T / D	145	1154	90	10	4	3.25

All Dimensions are in mm  
Splined Shaft : 15 teeth -  
Module 1.5875  
Pressure Angle 30°  
A.N.S.I.B-92-1-1970  
Tolerance Class 5

\* METHOD OF STARTING : T - 3P / DOL / 50Hz      D - 3P / SD / 50Hz  
\* 4 core cable upto 10 sq.mm as standard

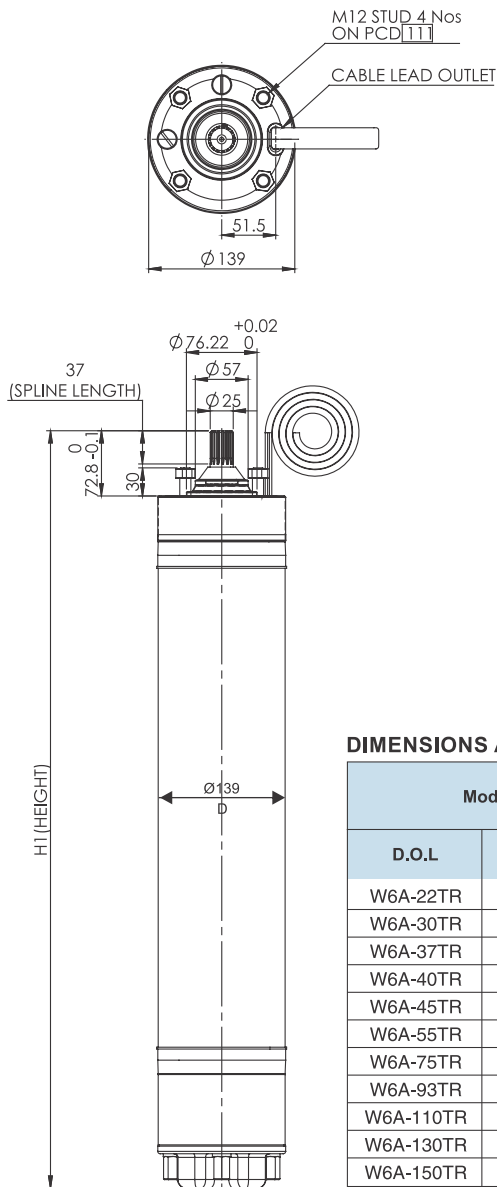
# WATER FILLED REWINDABLE SUBMERSIBLE MOTORS

Nominal Diameter : **6"**

**"W" Series**  
(2.2 kW - 18.5kW)

## Reduced Diameter Flange Type Motor (OD 139 mm)

General Arrangement Drawing(GAD)



All Dimensions are in mm  
Splined Shaft : 15 teeth -  
Module 1.5875  
Pressure Angle 30°  
A.N.S.I.B-92-1-1970  
Tolerance Class 5

### DIMENSIONS AND WEIGHT DATA

Model		Power		*Method of Starting	Dimension (mm)		Net Weight (kg)	Cable leadout		
D.O.L	S.D	kW	HP		D	H1		Cable Size (Sq.mm)		Cable Length (m)
								D.O.L	S.D	
W6A-22TR	-	2.2	3	T	139	690	40	2.5	-	1.5
W6A-30TR	-	3.7	4	T	139	700	43	2.5	-	1.5
W6A-37TR	-	4	5	T	139	730	44	2.5	-	1.5
W6A-40TR	-	4.5	5.5	T	139	T30	44	2.5	-	1.5
W6A-45TR	W6A-45DR	5.5	6	T	139	770	45	2.5	-	1.5
W6A-55TR	W6A-55DR	7.5	7.5	T / D	139	820	49	4	2.5	1.5
W6A-75TR	W6A-75DR	9.3	10	T / D	139	865	53	4	2.5	1.5
W6A-93TR	W6A-93DR	11	12.5	T / D	139	895	58	6	2.5	2.5
W6A-110TR	W6A-110DR	13	15	T / D	139	930	61	6	4	2.5
W6A-130TR	W6A-130DR	15	17.5	T / D	139	970	63	6	4	2.5
W6A-150TR	W6A-150DR	18.5	20	T / D	139	1020	71	10	4	2.5
W6A-185TR	W6A-185DR	-	25	T / D	139	1070	81	10	4	2.75

\* 4 core cable upto 10 sq.mm as standard

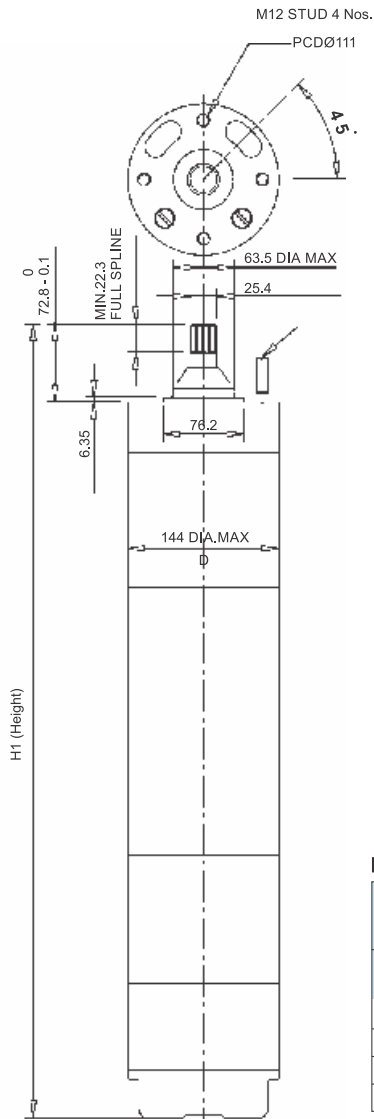
# WATER FILLED REWINDABLE SUBMERSIBLE MOTORS

Nominal Diameter : **6"**

**"W" Series**  
(26 kW - 45kW)

## T-Bolt Motor (A - Type)

General Arrangement Drawing(GAD)



All Dimensions are in mm  
Splined Shaft : 15 Teeth -  
Module 1.5875  
Pressure Angle 30°  
A.N.S.I.B - 92 - 1 - 1970  
Tolerance Class 5

### DIMENSIONS AND WEIGHT DATA

Model		Power		*Method of Starting	Dimension (mm)		Net Weight (kg)	Cable leadout		
D.O.L	S.D	kW	HP		D	H1		Cable Size (Sq.mm)		Cable Length (m)
								D.O.L	S.D	
W6A-260T	W6A-260D	26	35	T / D	144	1192	97	10.0	6.0	4.25
W6A-300T	W6A-300D	30	40	T / D	144	1227	102	10.0	6.0	4.25
W6A-370T	W6A-370D	37	50	T / D	144	1302	110	16.0	6.0	5.25
W6A-450T	W6A-450D	45	60	T / D	144	1377	118	16.0	10	5.25

\* 4 core cable upto 10 sq.mm as standard  
\* 3 core cable above 16 sq.mm as standard

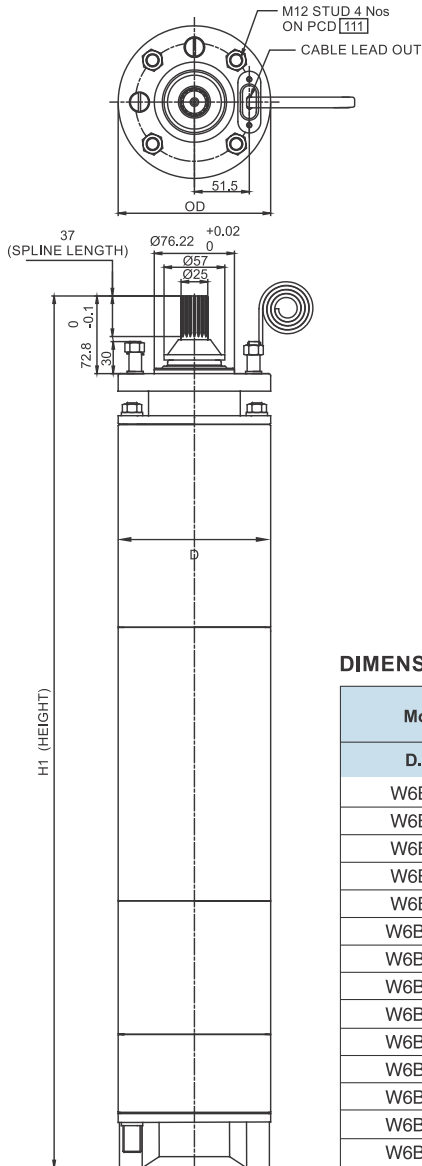
# WATER FILLED REWINDABLE SUBMERSIBLE MOTORS

Nominal Diameter : **6"**

**"W" Series**  
(3.7 kW - 45kW)

## T-Bolt Motor (B-Type)

General Arrangement Drawing(GAD)



### DIMENSIONS AND WEIGHT DATA

Model	Power		*Method of Starting	Dimension (mm)		Net Weight (kg)	Cable leadout			
	D.O.L	kW		HP	D		H1	Cable Size (Sq.mm)		Cable Length (m)
								D.O.L	S.D	
W6B-37T	3.7	5	DOL	143	694	47	2.5	2.5	1.5	
W6B-40T	4.0	5.5	DOL	143	694	47	2.5	2.5	1.5	
W6B-55T	5.5	7.5	DOL	143	764	52	4	2.5	1.5	
W6B-75T	7.5	10	DOL	143	814	57	4	2.5	1.5	
W6B-93T	9.3	12.5	DOL	143	844	61	6	2.5	2.25	
W6B-110T	11	15	DOL	143	884	65	6	4	2.25	
W6B-130T	13	17.5	DOL	143	924	69	6	4	2.25	
W6B-150T	15	20	DOL	143	964	74	10	4	2.25	
W6B-185T	18.5	25	DOL	143	1044	83	10	4	2.75	
W6B-220T	22	30	T/D	144	1105	99	10	4	3.25	
W6B-260T	26	35	T/D	144	1145	100	10	6	4.25	
W6B-300T	30	40	T/D	144	1180	105	10	6	4.25	
W6B-370T	37	50	T/D	144	1255	113	16	6	5.25	
W6B-450T	45	60	T/D	144	1330	121	16	10	5.25	

\* 3 core cable as standard for entire motors.

All Dimensions are in mm  
Splined Shaft : 15 Teeth -  
Module 1.5875  
Pressure Angle 30°  
A.N.S.I.B - 92 - 1 - 1970  
Tolerance Class 5

# WATER FILLED REWINDABLE SUBMERSIBLE MOTORS

Nominal Diameter : **7"**

**"W"** Series

## Technical Specifications

Nominal Dia	<b>7"</b>
Maximum Outer Diameter	181 mm
Power Range	37 - 75 kW - Three Phase
Speed	2900 rpm
Version	Three Phase - 380-415V, 50Hz, A.C Supply
Class of Insulation	Y
Degree of Protection	IP68
Direction of Rotation	Electrically Reversible
Type of Duty	S1 (Continuous)
Down Trust Load	37 - 75 kW - 45500 N
Minimum Cooling Flow Along the Motor	0.16 m/sec
Maximum Liquid Temperature	Standard - 35°C, Optional : High Temp - 50°C
Max. Starts per Hour	10 Times
Shaft End	Splines
Mounting Standard	6" NEMA
Method of Starting	Direct On Line (DOL)
	Star Delta (SD)
Cable Lead out	Permanently Connected and Sealed 3/6 Core EPDM Rubber Insulated Flat Cable
Thermal Protection	Optional - PT 100 Sensor



# WATER FILLED REWINDABLE SUBMERSIBLE MOTORS

Nominal Diameter : **7"****"W"** Series

## Material of Construction

PART NAME	MATERIAL - W7B		
	EUROPEAN	DIN	AISI / SAE
Thrust Base Housing, Upper & Lower Housing	Cast Iron - EN-GJL-220	GG20	ASTM A48 Class 30 B
Oil Seal Housing	Cast Iron - EN-GJL-220	GG20	ASTM A48 Class 30 B
Motor Base	Cast Iron - EN-GJL-220	GG20	ASTM A48 Class 30 B
Thrust Pad	Cast Iron - EN-GJL-250 with Graphite Carbon	GG25 with Graphite Carbon	ASTM A48 Class 30 B with Graphite Carbon
Thrust Base	Cast Iron - EN-GJL-250 Base with X20Cr14 Segment	GG25 Base with 1.4027 Segment	ASTM A48 Class 30 B Base with ASTM A743 CA40 Segment
Bush Bearing	Graphite Carbon	Graphite Carbon	Graphite Carbon
Diaphragm	HNBR (ASTM -D2000)	HNBR (ASTM -D2000)	HNBR (ASTM -D2000)
O Ring & Oil Seal	Standard - NBR (Buna - N) Optional : Fluoroelastomer (FKM - Viton)	Standard - NBR (Buna - N) Optional : Fluoroelastomer (FKM - Viton)	Standard - NBR (Buna - N) Optional : Fluoroelastomer (FKM - Viton)
Stator Shell	X5CrNi 18 9	1.4301	ASTM A240 AISI 304
Shaft	EN8 with X17CrNi 16 2 Sleeve	CK45 (1.1191) with 1.4057 Sleeve	ASTM A29 AISI 1045 with ASTM A276 AISI 431 Sleeve
Sand Guard (Stainless Steel & Rubber)	X5CrNi 18 9 & NBR (Buna-N)	1.4301 & NBR (Buna-N)	ASTM A240 AISI 304 & NBR (Buna - N)
Shaft extention	X5CrNiCuNb 16 4	1.4542	ASTM A693 AISI 630

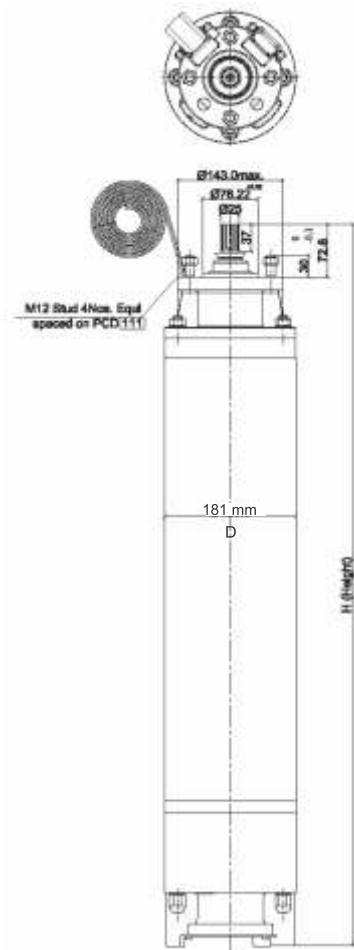
Optional : Mechanical Seal

# WATER FILLED REWINDABLE SUBMERSIBLE MOTORS

Nominal Diameter : **7"**

**"W"** Series

General Arrangement Drawing(GAD)



All Dimensions are in mm  
 Splined Shaft : 15 Teeth -  
 Module 1.5875  
 Pressure Angle 30°  
 A.N.S.I.B - 92 - 1 - 1970  
 Tolerance Class 5

## Electrical Data

### 7" THREE PHASE 380V, D.O.L. & S.D MOTORS

Model		Power		Full Load Max (A)	Starting Current (A)	Full load		Max. Down Thrust Load (N)	Starting Torque (Nm)	Torque (Nm)
DOL	SD	kW	HP			Eff.%	Power Factor			
W7B-370T	W7B-370D	37	50	69	256	83.6	0.82	45500	160	122
W7B-450T	W7B-450D	45	60	94.5	288	84	0.88	45500	225	148
W7B-550T	W7B-550D	55	75	116	375	84.5	0.88	45500	310	182
W7B-630T	W7B-630D	63	85	130	467	85	0.85	45500	350	208
W7B-750T	W7B-750D	75	100	156	542	85	0.84	45500	420	248

### 7" THREE PHASE 400V, D.O.L. & S.D MOTORS

Model		Power		Full Load Max (A)	Starting Current (A)	Full load		Max. Down Thrust Load (N)	Starting Torque (Nm)	Torque (Nm)
DOL	SD	kW	HP			Eff.%	Power Factor			
W7B-370T	W7B-370D	37	50	75	270	84.5	0.81	45500	180	122
W7B-450T	W7B-450D	45	60	90	303	85	0.87	45500	250	148
W7B-550T	W7B-550D	55	75	114	395	85.8	0.87	45500	348	181
W7B-630T	W7B-630D	63	85	127	491	86	0.84	45500	380	207
W7B-750T	W7B-750D	75	100	148	570	85	0.86	45500	480	247

### 7" THREE PHASE 415V, D.O.L. & S.D MOTORS

Model		Power		Full Load Max (A)	Starting Current (A)	Full load		Max. Down Thrust Load (N)	Starting Torque (Nm)	Torque (Nm)
DOL	SD	kW	HP			Eff.%	Power Factor			
W7B-370T	W7B-370D	37	50	80	280	86	0.80	45500	200	122
W7B-450T	W7B-450D	45	60	92	315	85	0.85	45500	268	149
W7B-550T	W7B-550D	55	75	112	410	87	0.85	45500	370	180
W7B-630T	W7B-630D	63	85	126	510	88	0.84	45500	410	206
W7B-750T	W7B-750D	75	100	151	592	89	0.84	45500	520	246

## DIMENSIONS AND WEIGHT DATA

Model	Power		*Method of Starting	Dimension (mm)		Net Weight (kg)	Cable Leadout		
	kW	HP		D	H1		Cable Size (Sq.mm)		Cable Length (m)
							D.O.L	S.D	
W7B-370	37	50	T / D	181	1181	150	16	10	4
W7B-450	45	60	T / D	181	1411	165	16	10	4
W7B-550	55	75	T / D	181	1531	178	25	16	5
W7B-630	63	85	T / D	181	1591	188	25	16	5
W7B-750	75	100	T / D	181	1641	208	35	25	5

# WATER FILLED REWINDABLE SUBMERSIBLE MOTORS

Nominal Diameter : **8"**

**"W"** Series

## Technical Specifications

Nominal Dia	<b>8"</b>
Maximum Outer Diameter	193 mm ( 37 - 93 kW) & 197mm (110 kW)
Power Range	37 - 110 kW - Three Phase
Speed	2900 rpm
Version	Three Phase - 380-415V & 525V, 50Hz, A.C Supply
Class of Insulation	Y
Degree of Protection	IP68
Direction of Rotation	Electrically Reversible
Type of Duty	S1 (Continuous)
Down Thrust Load	45500 N
Minimum Cooling Flow Along the Motor	0.16 m/sec
Maximum Liquid Temperature	Standard - 35°C, Optional : High Temp - 50°C
Max. Starts per Hour	10 Times
Shaft End	Splines
Mounting Standard	8" NEMA
Method of Starting	Direct On Line (DOL)
	Star Delta (SD)
Cable Lead out	Permanently Connected and Sealed 3/6 Core EPDM Rubber Insulated Flat Cable
Thermal Protection	Optional - PT 100 Sensor

\* Optional : Fluoroelastomer Polymer (Fkm - Viton)





# WATER FILLED REWINDABLE SUBMERSIBLE MOTORS

Nominal Diameter : **8"**

**"W"** Series

## Material of Construction

PART NAME	MATERIAL - W8B		
	EUROPEAN	DIN	AISI / SAE
Thrust Base Housing, Upper & Lower Housing	Cast Iron - EN-GJL-250	GG25	ASTM A48 Class 30 B
Thrust Pad	X12 Cr14 with Graphite Carbon	1.4008 with Graphite Carbon	ASTM A743 CA15 with Graphite Carbon
Thrust Base	Cast Iron - EN-GJL-250 Base with X20Cr14 Segment	GG25 Base with 1.4027 Segment	ASTM A48 Class 30 B Base with ASTM A743 CA40 Segment
Bush Bearing	Graphite Carbon	Graphite Carbon	Graphite Carbon
Shaft Seal	Mechanical Seal (Carbon & Ceramic)	Mechanical Seal (Carbon & Ceramic)	Mechanical Seal (Carbon & Ceramic)
Diaphragm	HNBR (ASTM -D2000)	HNBR (ASTM -D2000)	HNBR (ASTM -D2000)
O Ring & Oil seal	Standard - NBR (Buna - N) Optional : Fluoroelastomer Polymer (FKM - Viton)	Standard - NBR (Buna - N) Optional : Fluoroelastomer Polymer (FKM - Viton)	Standard - NBR (Buna - N) Optional : Fluoroelastomer Polymer (FKM - Viton)
Stator Shell	X5CrNi 18 9	1.4301	ASTM A240 AISI 304
Shaft	EN8 with X17CrNi 16 2 Sleeve	CK45 (1.1191) with 1.4057 sleeve	ASTM A240 AISI 304 & NBR (Buna - N)
Sand Guard (Stainless Steel & Rubber)	X5CrNi 18 9 & NBR (Buna - N)	1.4301 & NBR (Buna - N)	ASTM A240 AISI 304 & Nitrile Rubber (NBR) / Buna-N
Shaft extention	X12 Cr13	1.4006	ASTM A276 AISI 410

## Material of Construction

PART NAME	MATERIAL - W8S		
	EUROPEAN	DIN	AISI / SAE
Thrust Base Housing, Upper & Lower Housing	X5CrNi 18 9	1.4308	ASTM A351 CF8
Thrust Pad	X12 Cr14 with Graphite Carbon	1.4008 with Graphite Carbon	ASTM A743 CA15 with Graphite Carbon
Thrust Base	Cast Iron - EN-GJL-250 Base with X20Cr14 Segment	GG25 Base with 1.4027 Segment	ASTM A48 Class 30B Base with ASTM A743 CA40 Segment
Bush Bearing	Graphite Carbon	Graphite Carbon	Graphite Carbon
Shaft Seal	Mechanical Seal (Carbon & Ceramic)	Mechanical Seal (Carbon & Ceramic)	Mechanical Seal (Carbon & Ceramic)
Diaphragm	HNBR (ASTM -D2000)	HNBR (ASTM -D2000)	HNBR (ASTM -D2000)
O Ring & Oil seal	Standard - NBR (Buna - N) Optional : Fluoroelastomer Polymer (FKM - Viton)	Standard - NBR (Buna - N) Optional : Fluoroelastomer Polymer (FKM - Viton)	Standard - NBR (Buna - N) Optional : Fluoroelastomer Polymer (FKM - Viton)
Stator Shell	X5CrNi 18 9	1.4301	ASTM A240 AISI 304
Shaft	EN8 with X17CrNi 16 2 Sleeve	CK45 (1.1191) with 1.4057 sleeve	ASTM A29 AISI 1045 with ASTM A276 AISI 431 Sleeve
Sand Guard (Stainless Steel & Rubber)	X5CrNi 18 9 & Nitrile Rubber (NBR) / Buna-N	1.4301 & NBR (Buna - N)	ASTM A240 AISI 304 & NBR (Buna - N)
Shaft extention	X12 Cr13	1.4006	ASTM A276 AISI 410

In view of continuous developments, the informations / descriptions / specifications / illustrations are subject to change without notice.

# WATER FILLED REWINDABLE SUBMERSIBLE MOTORS

Nominal Diameter : **8"****"W"** Series

## Material of Construction

PART NAME	MATERIAL - W8T		
	EUROPEAN	DIN	AISI / SAE
Thrust Base Housing, Upper & Lower Housing	X5CrNiMo 18 10	1.4408	ASTM A351 CF8M
Thrust Pad	X12 Cr14 with Graphite Carbon	1.4008 with Graphite Carbon	ASTM A743 CA15 with Graphite Carbon
Thrust Base	Cast Iron - EN-GJL-250 Base with X20Cr14 Segment	GG25 Base with 1.4027 Segment	ASTM A48 Class 30B Base with ASTM A743 CA40 Segment
Bush Bearing	Graphite Carbon	Graphite Carbon	Graphite Carbon
Shaft Seal	Mechanical Seal (Carbon & Ceramic)	Mechanical Seal (Carbon & Ceramic)	Mechanical Seal (Carbon & Ceramic)
Diaphragm	HNBR (ASTM -D2000)	HNBR (ASTM -D2000)	HNBR (ASTM -D2000)
O Ring & Oil Seal	Standard - NBR (Buna - N) Optional : Fluoroelastomer Polymer (FKM - Viton)	Standard - NBR (Buna - N) Optional : Fluoroelastomer Polymer (FKM - Viton)	Standard - NBR (Buna - N) Optional : Fluoroelastomer Polymer (FKM - Viton)
Stator Shell	X5CrNiMo 18 10	1.4401	ASTM A240 AISI 316
Shaft	EN8 with X17CrNi 16 2 Sleeve	CK45 (1.1191) with 1.4057 sleeve	ASTM A29 AISI 1045 with ASTM A276 AISI 431 Sleeve
Sand Guard (Stainless Steel & Rubber)	X5CrNiMo 18 10 & NBR (Buna - N)	1.4401 & NBR (Buna - N)	ASTM A240 AISI 316 & NBR (Buna - N)
Shaft extention	X12 Cr13	1.4006	ASTM A276 AISI 410

# WATER FILLED REWINDABLE SUBMERSIBLE MOTORS

Nominal Diameter : **8"**

**"W"** Series

## Electrical Data

### 8" THREE PHASE 380V, D.O.L. & S.D MOTORS

Model		Power		Full Load Max (A)	Starting Current (A)	Full load		Max. Down Thrust Load (N)	Starting Torque (Nm)	Torque (Nm)
DOL	SD	kW	HP			Eff.%	Power Factor			
W8B-370T	W8B-370D	37	50	69	256	83.6	0.82	45500	160	122
W8B-450T	W8B-450D	45	60	94.5	288	84	0.88	45500	225	148
W8B-550T	W8B-550D	55	75	116	375	84.5	0.88	45500	310	182
W8B-630T	W8B-630D	63	85	130	467	85	0.85	45500	350	208
W8B-750T	W8B-750D	75	100	156	542	85	0.84	45500	420	248
W8B-930T	W8B-930D	93	125	186	582	87	0.84	45500	570	308
-	W8B-A10D	110	150	230	718	87	0.86	45500	741	363

### 8" THREE PHASE 400V, D.O.L. & S.D MOTORS

Model		Power		Full Load Max (A)	Starting Current (A)	Full load		Max. Down Thrust Load (N)	Starting Torque (Nm)	Torque (Nm)
DOL	SD	kW	HP			Eff.%	Power Factor			
W8B-370T	W8B-370D	37	50	75	270	84.5	0.81	45500	180	122
W8B-450T	W8B-450D	45	60	90	303	85	0.87	45500	250	148
W8B-550T	W8B-550D	55	75	114	395	85.8	0.87	45500	348	181
W8B-630T	W8B-630D	63	85	127	491	86	0.84	45500	380	207
W8B-750T	W8B-750D	75	100	148	570	85	0.86	45500	480	247
W8B-930T	W8B-930D	93	125	188	613	87	0.85	45500	660	307
-	W8B-A10D	110	150	227	750	87	0.83	45500	858	362

### 8" THREE PHASE 415V, D.O.L. & S.D MOTORS

Model		Power		Full Load Max (A)	Starting Current (A)	Full load		Max. Down Thrust Load (N)	Starting Torque (Nm)	Torque (Nm)
DOL	SD	kW	HP			Eff.%	Power Factor			
W8B-370T	W8B-370D	37	50	80	280	86	0.80	45500	200	122
W8B-450T	W8B-450D	45	60	92	315	85	0.85	45500	268	149
W8B-550T	W8B-550D	55	75	112	410	87	0.85	45500	370	180
W8B-630T	W8B-630D	63	85	126	510	86	0.84	45500	410	206
W8B-750T	W8B-750D	75	100	151	592	89	0.84	45500	520	246
W8B-930T	W8B-930D	93	125	188	636	87	0.83	45500	680	306
-	W8B-A10D	110	150	225	785	87	0.81	45500	884	361

### 8" THREE PHASE 525V, D.O.L. & S.D MOTORS

Model		Power		Full Load Max (A)	Starting Current (A)	Full load		Max. Down Thrust Load (N)	Starting Torque (Nm)	Torque (Nm)
DOL	SD	kW	HP			Eff.%	Power Factor			
W8B-370TN	W8B-370DN	37	50	60	240	85	0.82	45500	290	123
W8B-450TN	W8B-450DN	45	60	75	360	85	0.82	45500	320	154
W8B-550TN	W8B-550DN	55	75	92	370	85	0.84	45500	450	185
W8B-630TN	W8B-630DN	63	85	103	415	86	0.88	45500	500	211
W8B-750TN	W8B-750DN	75	100	118	472	87	0.9	45500	620	251
W8B-930TN	W8B-930DN	93	125	145	580	87	0.88	45500	685	311

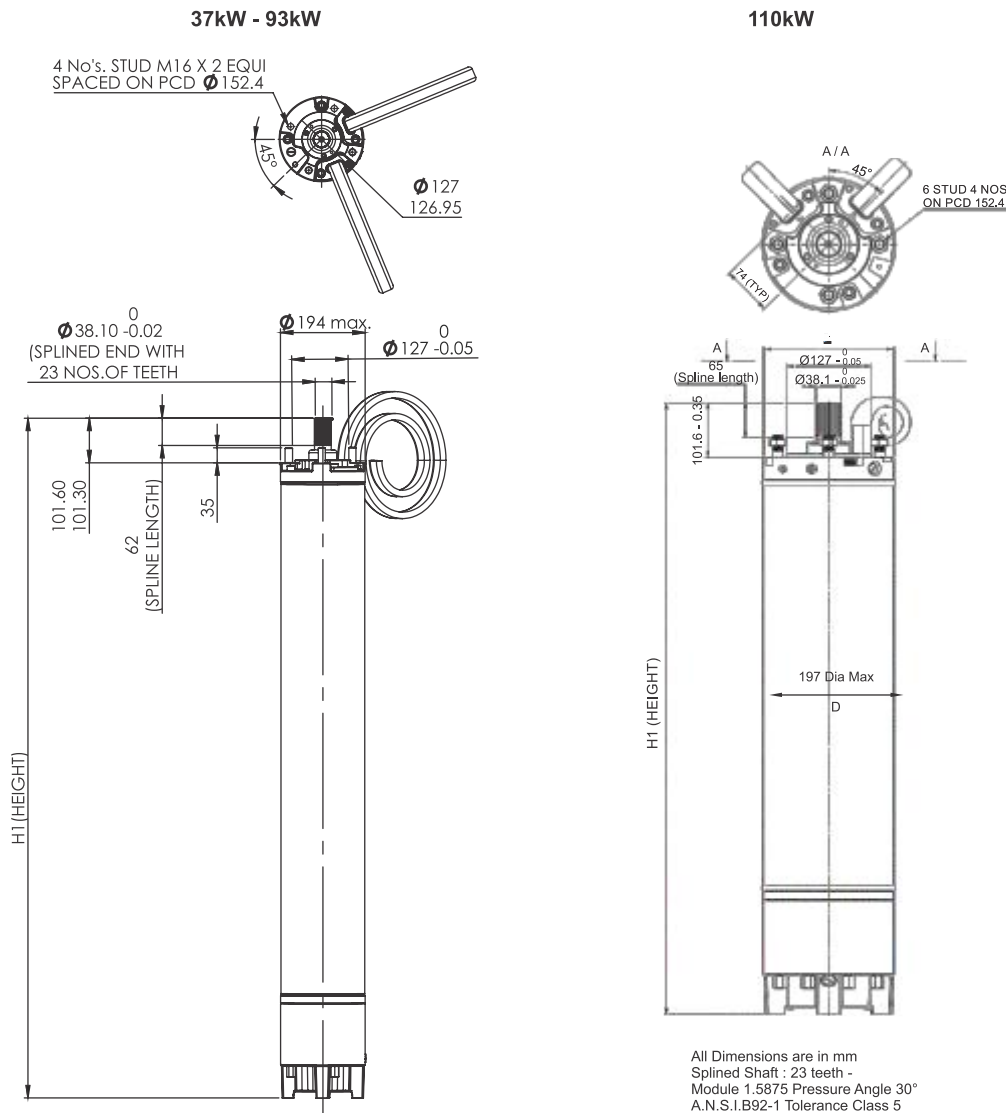
# WATER FILLED REWINDABLE SUBMERSIBLE MOTORS

Nominal Diameter : **8"**

**"W"** Series

## Electrical Data

General Arrangement Drawing(GAD)



### DIMENSIONS AND WEIGHT DATA

Model	Power		*Method of Starting	Dimension (mm)		Net Weight (kg)	Cable Leadout				
	kW	HP		D	H1		415 Cable Size (Sq.mm)		525 Cable Size (Sq.mm)		Cable Length(m)
							D.O.L	S.D	D.O.L	S.D	
W8B-370	37	50	T / D	193	1155	141	16	10	16	10	4
W8B-450	45	60	T / D	193	1195	156	16	10	16	10	4
W8B-550	55	75	T / D	193	1275	167	25	10	25	10	5
W8B-630	63	85	T / D	193	1345	180	35	16	25	16	5
W8B-750	75	100	T / D	193	1455	200	35	16	35	16	5
W8B-930	93	125	T / D	193	1550	220	35	16	35	16	5
W8B-A10	110	150	T / D	197	1656	257	35	35	35	35	5

\* METHOD OF STARTING : T - 3P / DOL / 50Hz      D - 3P / SD / 50Hz

# WATER FILLED REWINDABLE SUBMERSIBLE MOTORS

Nominal Diameter : **10"**

**"W"** Series

## Technical Specifications

Nominal Dia	<b>10"</b>
Maximum Outer Diameter	232 mm
Power Range	110 - 185 kW - Three Phase
Speed	2900 rpm
Version	Three Phase - 380-415V, 50Hz, A.C Supply
Class of Insulation	Y
Degree of Protection	IP68
Direction of Rotation	Electrically Reversible
Type of Duty	S1 (Continuous)
Down Thrust Load	75000 N
Minimum Cooling Flow Along the Motor	0,16 m/sec
Maximum Liquid Temperature	Standard - 35°C, Optional : High Temp - 50°C
Max. Starts per Hour	8 Times
Shaft End	Splines / Keyway
Method of Starting	Direct On Line (DOL)
	Star Delta (SD)
Cable Lead out	Permanently Connected and Sealed 6 Core EPDM insulated Flat Cable for SD & 2 + 2 core individual lead for DOL
Thermal Protection	Optional - PT 100 Sensor



\* Optional : Fluoroelastomer Polymer (Fkm - Viton)

## Material of Construction

PART NAME	MATERIAL - W10B		
	EUROPEAN	DIN	AISI / SAE
Thrust Base Housing, Upper & Lower Housing	Cast Iron - EN-GJL-250	GG25	ASTM A48 Class 30B
Thrust Pad	X12 Cr14 with Graphite Carbon	1.4008 with Graphite Carbon	ASTM A743 CA15 with Graphite Carbon
Thrust Base	Cast Iron - EN-GJL-250 Base with X20Cr14 Segment	GG25 Base with 1.4027 Segment	ASTM A48 Class 30B Base with ASTM A743 CA40 Segment
Bush Bearing	Graphite Carbon	Graphite Carbon	Graphite Carbon
Diaphragm	HNBR (ASTM -D2000)	HNBR (ASTM -D2000)	HNBR (ASTM -D2000)
O Ring & Oil seal	Standard - NBR (Buna - N) Optional : Fluoroelastomer Polymer (FKM - Viton)	Standard - NBR (Buna - N) Optional : Fluoroelastomer Polymer (FKM - Viton)	Standard - NBR (Buna - N) Optional : Fluoroelastomer Polymer (FKM - Viton)
Shaft Seal	Mechanical Seal (Carbon & Ceramic)	Mechanical Seal (Carbon & Ceramic)	Mechanical Seal (Carbon & Ceramic)
Stator Shell	X5CrNi 18 9	1.4301	ASTM A240 AISI 304
Shaft	EN8 with X17CrNi 16 2 Sleeve	CK45 (1.1191) with 1.4057 sleeve	ASTM A29 AISI 1045 with ASTM A276 AISI 431 Sleeve
Sand Guard (Stainless Steel & Rubber)	X5CrNi 18 9 & NBR (Buna - N)	1.4301 & NBR (Buna - N)	ASTM A240 AISI 304 & NBR (Buna - N)
Shaft extension	X12 Cr13	1.4006	ASTM A276 AISI 410

In view of continuous developments, the informations / descriptions / specifications / illustrations are subject to change without notice. Refer general information for performance curve conditions and for other details. Curve tolerance according to ISO : 9906, Grade 3B.

# WATER FILLED REWINDABLE SUBMERSIBLE MOTORS

Nominal Diameter : **10"**

**"W"** Series

## Material of Construction

PART NAME	MATERIAL - W10S		
	EUROPEAN	DIN	AISI/SAE
Thrust Base Housing, Upper & Lower Housing	X5CrNi 18 10	1.4308	ASTM A351 CF8
Thrust Pad	X12 Cr14 with Graphite Carbon	1.4008 with Graphite Carbon	ASTM A743 CA15 with Graphite Carbon
Thrust Base	Cast Iron - EN-GJL-250 Base with X20Cr14 Segment	GG25 Base with 1.4027 Segment	ASTM A48 Class 30B B Base with ASTM A743 CA40 Segment
Bush Bearing	Graphite Carbon	Graphite Carbon	Graphite Carbon
Diaphragm	HNBR (ASTM -D2000)	HNBR (ASTM -D2000)	HNBR (ASTM -D2000)
O Ring & Oil seal	Standard - NBR (Buna - N) Optional : Fluoroelastomer Polymer (FKM - Viton)	Standard - NBR (Buna - N) Optional : Fluoroelastomer Polymer (FKM - Viton)	Standard - NBR (Buna - N) Optional : Fluoroelastomer Polymer (FKM - Viton)
Shaft Seal	Mechanical Seal (Carbon & Ceramic)	Mechanical Seal (Carbon & Ceramic)	Mechanical Seal (Carbon & Ceramic)
Stator Shell	X5CrNi 18 9	1.4301	ASTM A240 AISI 304
Shaft	EN8 with X17CrNi 16 2 Sleeve	CK45 (1.1191) with 1.4057 sleeve	ASTM A29 AISI 1045 with ASTM A276 AISI 431 Sleeve
Sand Guard (Stainless Steel & Rubber)	X5CrNi 18 9 & NBR (Buna - N)	1.4301 & NBR (Buna - N)	ASTM A240 AISI 304 & NBR (Buna - N)
Shaft extention	X12 Cr13	1.4006	ASTM A276 AISI 410

## Material of Construction

PART NAME	MATERIAL - W10T		
	EUROPEAN	DIN	AISI / SAE
Thrust Base Housing, Upper & Lower Housing	X5CrNiMo 18 10	1.4408	ASTM A351 CF8M
Thrust Pad	X12 Cr14 with Graphite Carbon	1.4008 with Graphite Carbon	ASTM A743 CA15 with Graphite Carbon
Thrust Base	Cast Iron - EN-GJL-250 Base with X20Cr14 Segment	GG25 Base with 1.4027 Segment	ASTM A48 Class 30B Base with ASTM A743 CA40 Segment
Bush Bearing	Graphite Carbon	Graphite Carbon	Graphite Carbon
Diaphragm	HNBR (ASTM -D2000)	HNBR (ASTM -D2000)	HNBR (ASTM -D2000)
O Ring & Oil Seal	Standard - NBR (Buna - N) Optional : Fluoroelastomer Polymer (FKM - Viton)	Standard - NBR (Buna - N) Optional : Fluoroelastomer Polymer (FKM - Viton)	Standard - NBR (Buna - N) Optional : Fluoroelastomer Polymer (FKM - Viton)
Shaft Seal	Mechanical Seal (Carbon & Ceramic)	Mechanical Seal (Carbon & Ceramic)	Mechanical Seal (Carbon & Ceramic)
Stator Shell	X5CrNiMo 18 10	1.4401	ASTM A240 AISI 316
Shaft	EN8 with X17CrNi 16 2 Sleeve	CK45 (1.1191) with 1.4057 sleeve	ASTM A29 AISI 1045 with ASTM A276 AISI 431 Sleeve
Sand Guard (Stainless Steel & Rubber)	X5CrNiMo 18 10 & NBR (Buna - N)	1.4401 & NBR (Buna - N)	ASTM A240 AISI 316 & NBR (Buna - N)
Shaft extention	X12 Cr13	1.4006	ASTM A276 AISI 410

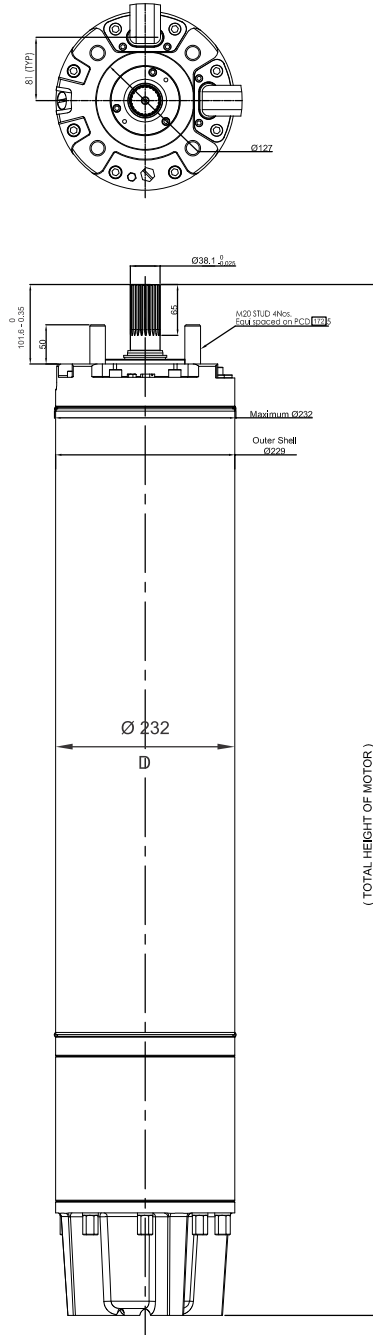
# WATER FILLED REWINDABLE SUBMERSIBLE MOTORS

Nominal Diameter : **10"**

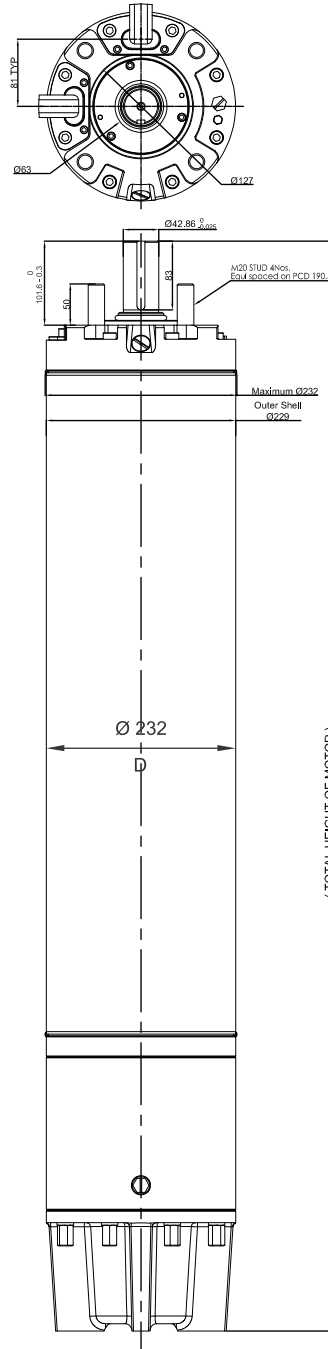
**"W"** Series

## General Arrangement Drawing(GAD)

SPLINES TYPE



KEYWAY TYPE



# WATER FILLED REWINDABLE SUBMERSIBLE MOTORS

Nominal Diameter : **10"**

**"W"** Series

## Electrical Data

### 10" THREE PHASE - 380 - 415V DOL & SD MOTORS

Model		Power		Full Load Max (A)	Starting Current (A)	Full Load		Max. Down Thrust Load (N)
DOL	SD	kW	HP			Eff.%	Power Factor	
W10B-A10T	W10B-A10D	110	150	220	1326	87	0.89	75000N
W10B-A30T	W10B-A30D	130	175	255	1628	87	0.89	75000N
W10B-A50T	W10B-A50D	150	200	290	1813	88	0.89	75000N
W10B-A65T	W10B-A65D	165	225	315	2043	88	0.88	75000N
W10B-A85T	W10B-A85D	185	250	330	2343	89	0.88	75000N

### DIMENSIONS AND WEIGHT DATA

Model		Power		Method of Starting	Dimension (mm)		Net Weight (kg)	Cable Leadout		
DOL	SD	kW	HP		D	H1		Cable Size(Sq.mm)		Cable Length (m)
								D.O.L	S.D	
W10B-A10T	W10B-A10D	110	150	T/D	232	1642	319	50	16	5
W10B-A30T	W10B-A30D	130	175	T/D	232	1752	340	50	25	5
W10B-A50T	W10B-A50D	150	200	T/D	232	1822	366	70	35	5
W10B-A65T	W10B-A65D	165	225	T/D	232	1902	387	95	35	5
W10B-A85T	W10B-A85D	185	250	T/D	232	1992	425	95	35	5

\* METHOD OF STARTING : T - 3P / DOL / 50Hz      D - 3P / SD / 50Hz



# CABLE SELECTION TABLE

## FOR SINGLE PHASE 3 WIRE (D.O.L) MOTOR MAXIMUM LENGTH OF COPPER CABLE

Motor Rating			Cable Size in Square Millimetres						MAXIMUM LENGTH IN METRES
VOLTS	kW	HP	1.5	2.5	4	6	10	16	
230 VOLT 50Hz	0.37	0.5	120	200	320	480	810		
	0.55	0.75	80	130	220	320	550		
	0.75	1	60	100	170	250	430		
	1.1	1.5	40	70	120	180	300		
	1.5	2	30	60	90	130	230	360	
	2.2	3		40	60	90	150	230	

## FOR THREE PHASE 6 WIRE (S/D) MOTOR MAXIMUM LENGTH OF COPPER CABLE

Voltage drop - 3%

Motor Rating			Cable Size in Square Millimetres																		MAXIMUM LENGTH IN METRES	
VOLTS	kW	HP	1.5	2.5	4	6	10	16	25	35	50	70	95	120	150	185	240	300	400	500		630
380-415 VOLT 50Hz	5.5	7.5	91	143	234	351	572	896	1377	1884												
	7.5	10	65	104	169	260	403	650	974	1338												
	9.3	12.5		91	143	221	364	572	870	1182	1624											
	11	15		78	130	182	299	481	714	974	1377	1832										
	13	17.5			104	143	260	403	611	844	1156	1533										
	15	20			91	130	221	351	533	740	1026	1364	1741									
	18.5	25				104	182	273	429	585	799	1065	1364	1624								
	22	30					156	234	364	494	688	922	1169	1403	1650							
	26	35					130	195	299	403	572	792	1000	1221	1429	1650						
	30	40					117	169	273	364	520	675	870	1013	1208	1390	1624					
	37	50						143	221	299	416	546	701	831	974	1117	1312	1494				
	45	60							182	247	338	468	598	727	870	1013	1208	1377				
	55	75								208	286	377	494	611	714	831	987	1137				
	63	85								188	260	299	442	546	637	740	870	1000				
	75	100									208	286	377	455	533	611	727	831	974			
	93	125										234	299	364	429	494	585	662	779			
	110	150											260	312	377	429	520	598	701	786		
	130	175												221	266	325	377	442	520	598	688	760
	150	200													234	279	325	390	455	539	604	669
	166	225														234	286	338	390	455	520	578
185	250															260	312	364	429	481	539	
220	300																247	286	331	372	410	
260	350																	247	286	325	357	
300	400																		214	247	273	312

These are maximum length of cable in METRES from POWER SOURCE to MOTOR. Exceeding these length will void warranty.

In view of continuous developments, the informations / descriptions / specifications / illustrations are subject to change without notice.

# CABLE SELECTION TABLE

## FOR THREE PHASE 3 WIRE (D.O.L.) MOTOR MAXIMUM LENGTH OF COPPER CABLE

Voltage drop - 3%

Motor Rating			Cable Size in Square Millimetres																		MAXIMUM LENGTH IN METRES	
VOLTS	kW	HP	1.5	2.5	4	6	10	16	25	35	50	70	95	120	150	185	240	300	400	500		630
380-415 VOLT 50Hz	0.37	0.5	473	788	1260																	
	0.55	0.75	398	660	1050																	
	0.75	1	311	518	825																	
	1.1	1.5	203	338	533	795																
	1.5	2	161	270	428	638																
	2.2	3	113	188	300	450	731															
	3	4	86	143	233	345	566	885														
	3.7	5	71	120	188	285	465	735														
	4	5.5	67	113	176	263	435	683	1043													
	4.5	6	64	105	169	255	420	653	998	1358												
	5.5	7.5	53	83	135	203	330	518	795	1088												
	7.5	10	38	60	98	150	233	375	563	773												
	9.3	12.5		53	83	128	210	330	503	683	938											
	11	15		45	75	105	173	278	413	563	795	1058										
	13	17.5			60	83	150	233	353	488	668	885										
	15	20			53	75	128	203	308	428	593	788	1005									
	18.5	25				60	105	158	248	338	461	615	788	938								
	22	30					90	135	210	285	398	533	675	810	953							
	26	35					75	113	173	233	330	458	578	705	825	953						
	30	40					68	98	158	210	300	390	503	585	698	803	938					
	37	50						83	128	173	240	315	405	480	563	645	758	863				
	45	60							105	143	195	270	345	420	503	585	698	795				
	55	75								120	165	218	285	353	413	480	570	656				
	63	85								109	150	173	255	315	368	428	503	578				
	75	100									120	165	218	263	308	353	420	480	563			
	93	125										135	173	210	248	285	338	383	450			
	110	150											150	180	218	248	300	345	405	454		
	130	175												128	154	188	218	255	300	345	398	439
	150	200													135	161	188	225	263	311	349	386
	166	225														135	165	195	225	263	300	334
185	250															150	180	210	248	278	311	
220	300																143	165	191	215	237	
260	350																	143	165	188	206	
300	400																		124	143	158	180

These are maximum length of cable in METRES from POWER SOURCE to MOTOR. Exceeding these length will void warranty.

# PIPE FRICTION LOSS TABLE

**FRICTION LOSS IN METERS FOR 10 METERS LONG NEW STEEL GALVANIZED PIPE (C = 140)**

Volume rate of flow lps	Nominal Pipe Outer dia In mm / inches									
	25/ 1"	32/ 1¼"	40/ 1½"	50/ 2"	65/ 2½"	80/ 3"	100/ 4"	125/ 5"	150/ 6"	
0.50	0.364									
1.00	1.315	0.341								
1.25	1.988	0.516	0.246							
1.60	3.140	0.814	0.388							
2.00		1.231	0.587							
2.50		1.861	0.888	0.282						
3.2		2.940	1.402	0.446	0.126					
4.0			2.120	0.674	0.190					
5.0			3.205	1.019	0.288					
8.0				2.433	0.887	0.313				
10.0				3.678	1.038	0.474	0.131			
12.5					1.570	0.716	0.198			
16					2.479	1.131	0.312	0.111		
20					3.747	1.710	0.472	0.167		
25						2.585	0.713	0.253	0.106	
32						4.033	1.127	0.400	0.157	
40							1.704	0.605	0.252	
50							2.576	0.914	0.351	
60								1.281	0.534	
80								0.182	0.910	
100								3.299	1.376	
125									0.051	

**FRICTION LOSS IN METERS FOR 10 METERS LONG NEW RPVC PIPE (C = 150)**

Volume rate of flow lps	Nominal Pipe Outer dia In mm / inches									
	40/ 1½"	50/ 2"	63/ 2½"	75/ 3"	90/ 3½"	110/ 4¼"	125/ 5"	140/ 5½"	160/ 6¼"	
0.50	0.074									
1.00	0.268									
1.25	0.405	0.131								
1.60	0.640	0.211								
2.00	0.967	0.310								
2.50	1.462	0.483	0.150							
3.20	2.309	0.762	0.250	0.106						
4.0	3.491	1.153	0.377	0.160						
5.0		1.742	0.571	0.242						
8.0		4.161	1.363	0.577	0.237					
10.0			2.060	0.873	0.358	0.133				
12.5			3.114	1.319	0.542	0.201				
16			4.919	2.084	0.856	0.317	0.172			
20				3.151	1.293	0.479	0.260			
25					1.955	0.725	0.392	0.225	0.117	
32					3.089	1.145	0.020	0.355	0.184	
40						1.731	0.937	0.537	0.279	
50						2.617	1.416	0.812	0.421	
60						3.008	1.985	1.138	0.590	
80							3.382	1.939	1.006	
100								2.931	1.521	
125									2.299	

In view of continuous developments, the informations / descriptions / specifications / illustrations are subject to change without notice.

## PIPE FRICTION LOSS TABLE

### PERMISSIBLE RANGE OF VOLUME RATES OF FLOW IN I/S THROUGH GALVANIZED STEEL PIPE TO LIMIT FRICTION LOSSES TO 10 PERCENT OF THE PIPE LENGTH

Grade →	Light	Medium	Heavy
Nominal pipe dia in mm ↓	Rate of flow in Ips	Rate of flow in Ips	Rate of flow in Ips
40	1.90 - 2.74	1.79 - 2.67	1.59 - 2.41
50	2.74 - 5.24	2.67 - 4.95	2.41 - 4.54
65	5.24 - 9.97	4.95 - 9.80	4.54 - 9.17
80	9.97 - 15.54	9.80 - 14.97	9.17 - 14.20
100	15.54 - 30.84	14.97 - 30.0	14.20 - 28.67
125	-	30.0 - 52.50	28.67 - 51.37
150	-	52.50 - 84.18	51.37 - 82.63

### PERMISSIBLE RANGE OF VOLUME RATES OF FLOW IN I/S THROUGH RPVC PIPE TO LIMIT FRICTION LOSSES TO 10 PERCENT OF THE PIPE LENGTH

Grade →	Class (0.25Mpa)	Class (0.4Mpa)	Class (0.6Mpa)
Nominal pipe dia in mm ↓	Rate of flow in Ips	Rate of flow in Ips	Rate of flow in Ips
40	-	-	Up to 2.04
50	-	-	2.04 - 3.70
63	-	3.80 - 7.24	3.70 - 6.77
75	-	7.24 - 11.47	6.77 - 10.76
90	11.50 - 19.58	11.47 - 18.50	10.76 - 17.41
110	19.58 - 33.25	18.59 - 31.71	17.41 - 29.75
125	33.25 - 46.63	31.71 - 44.33	29.75 - 41.44
140	46.63 - 62.92	44.33 - 59.79	41.44 - 55.97
160	62.92 - 89.28	59.79 - 84.95	55.97 - 79.76

# CONVERSION TABLE

## FLOW RATE

litre per second l/s	litre per minute l/min	cubic meter per hour m <sup>3</sup> /h	cubic foot per hour ft <sup>3</sup> /h	cubic foot per minute ft <sup>3</sup> /min	Imp.gallon per minute Imp.gal./min	US gallon per minute Us gal./min	Us barrel per day ls barre/d (Petroleum)
1	60	3.6	127.133	2.1189	13.2	15.85	543.439
0.017	1	0.06	2.1189	0.0353	0.22	0.264	9.057
0.278	16.667	1	35.3147	0.5886	3.666	4.403	150.955
0.008	0.472	0.0283	1	0.0167	0.104	0.125	4.275
0.472	28.317	1.6990	60	1	6.229	7.480	256.475
0.076	4.546	0.2728	9.6326	0.1605	1	1.201	41.175
0.063	3.785	0.2271	8.0209	0.1337	0.833	1	34.286
0.002	0.110	0.0066	0.2339	0.0039	0.024	0.029	1

## LIQUID

Cubic meter m <sup>3</sup>	litre l	Milli litre ml	Imp. gallon Imp. Gal	US gallon US gal	cubic foot ft <sup>3</sup>
1	1000	1 x 10 <sup>6</sup>	220	264.2	35.3147
0.001	1	1000	0.22	0.2642	0.0353
1 x 10 <sup>-6</sup>	0.001	1	2.2 X 10 <sup>-4</sup>	2.642 x 10 <sup>-4</sup>	3.53 x 10 <sup>-6</sup>
0.00455	4.546	4546	1	1.201	0.1605
0.00378	3.785	3785	0.8327	1	0.1337
0.0283	28.317	28317	6.2288	7.4805	1

## LIQUID HEAD AND PRESSURE

newton per square meter N/m <sup>2</sup> (Pa)	kilo pascal kPa	bar	kilogram force per square centimeter Kgf/cm <sup>2</sup>	pound force per square inch psi	foot for water ft H <sub>2</sub> O	meter of water m H <sub>2</sub> O	millimeter of mercury mm Hg	inch of mercury in Hg
1	0.001	1 x 10 <sup>-5</sup>	1.02 x 10 <sup>-5</sup>	1.45 x 10 <sup>-4</sup>	3.35 x 10 <sup>-4</sup>	1.02 x 10 <sup>-4</sup>	0.0075	2.95 x 10 <sup>-4</sup>
1000	1	0.01	0.0102	0.145	0.335	0.102	7.5	0.295
1 x 10 <sup>-5</sup>	100	1	1.02	14.5	33.52	10.2	750.1	29.53
98,067	98.07	0.981	1	14.22	32.81	10	735.6	28.96
6895	6.895	0.069	0.0703	1	2.31	0.703	51.72	2.036
2984	2.984	0.03	0.0305	0.433	1	0.305	22.42	0.882
9789	9.789	0.098	0.1	1.42	3.28	1	73.42	2.891
133.3	0.133	0.0013	0.0014	0.019	0.045	0.014	1	0.039
3386	3.386	0.0338	0.0345	0.491	1.133	0.0345	25.4	1

## LENGTH

millimeter mm	centimeter cm	meter m	inch in	foot ft	yard yd
1	0.1	0.001	0.0394	0.0033	0.0011
10	1	0.01	0.3937	0.0328	0.0109
1000	100	1	39.3701	3.2808	1.0936
25.4	2.54	0.0254	1	0.0833	0.0278
304.8	30.48	0.3048	12	1	0.3333
914.4	91.44	0.9144	36	3	1

1 Kilometer = 1000 metres = 0.62137 miles 1 mile = 1609.37 metres = 1.60934 kilometers

## MASS

kilogram kg	pound lb	hundred weight (cwt)	tonne t	ton long tn	short ton sh tn
1	2.205	0.0197	0.001	9.84 x 10 <sup>-4</sup>	0.0011
0.454	1	0.0089	4.54 x 10 <sup>-4</sup>	4.46 x 10 <sup>-4</sup>	5.0 x 10 <sup>-4</sup>
50.802	112	1	0.0508	0.05	0.056
1000	2204.6	19.684	1	0.9842	1.1023
1016	2240	20	1.0161	1	1.102
907.2	2000	17.857	0.9072	0.8929	1

## TEMPERATURE

To Convert From	To	Use Formula
Temperature Celsius, tc	Temperature Kelvin, tk	K = tc + 273.15
Temperature Fahrenheit, tf	Temperature Kelvin, tk	K = (tf + 459.67 / 1.8)
Temperature Celsius, tc	Temperature Fahrenheit, tf	F = 1.8 tc + 32
Temperature Fahrenheit, tf	Temperature Celsius, tc	C = (tf - 32) / 1.8
Temperature Kelvin, tk	Temperature Celsius, tc	C = tk - 273.15
Temperature Kelvin, tk	Temperature Fahrenheit, tf	F = 1.8tk - 459.67

# CONVERSION TABLE

## FLOW RATE

litre per second l/s	litre per minute l/min	cubic meter per hour m <sup>3</sup> /h	cubic foot per hour ft <sup>3</sup> /h	cubic foot per minute ft <sup>3</sup> /min	Imp.gallon per minute Imp.gal./min	US gallon per minute Us gal./min	Us barrel per day Is barrel/d (Petroleum)
1	60	3.6	127.133	2.1189	13.2	15.85	543.439
0.017	1	0.06	2.1189	0.0353	0.22	0.264	9.057
0.278	16.667	1	35.3147	0.5886	3.666	4.403	150.955
0.008	0.472	0.0283	1	0.0167	0.104	0.125	4.275
0.472	28.317	1.6990	60	1	6.229	7.480	256.475
0.076	4.546	0.2728	9.6326	0.1605	1	1.201	41.175
0.063	3.785	0.2271	8.0209	0.1337	0.833	1	34.286
0.002	0.110	0.0066	0.2339	0.0039	0.024	0.029	1

## LIQUID

Cubic meter m <sup>3</sup>	litre l	Milli litre ml	Imp. gallon Imp. Gal	US gallon US gal	cubic foot ft <sup>3</sup>
1	1000	1 x 10 <sup>6</sup>	220	264.2	35.3147
0.001	1	1000	0.22	0.2642	0.0353
1 x 10 <sup>6</sup>	0.001	1	2.2 X 10 <sup>-4</sup>	2.642 x 10 <sup>-4</sup>	3.53 x 10 <sup>-6</sup>
0.00455	4.546	4546	1	1.201	0.1605
0.00378	3.785	3785	0.8327	1	0.1337
0.0283	28.317	28317	6.2288	7.4805	1

## LIQUID HEAD AND PRESSURE

newton per square meter N/m <sup>2</sup> (Pa)	kilo pascal kPa	bar	kilogram force per square centimeter Kgf/cm <sup>2</sup>	pound force per square inch psi	foot for water ft H <sub>2</sub> O	meter of water m H <sub>2</sub> O	millimeter of mercury mm Hg	inch of mercury in Hg
1	0.001	1 x 10 <sup>-5</sup>	1.02 x 10 <sup>-5</sup>	1.45 x 10 <sup>-4</sup>	3.35 x 10 <sup>-4</sup>	1.02 x 10 <sup>-4</sup>	0.0075	2.95 x 10 <sup>-4</sup>
1000	1	0.01	0.0102	0.145	0.335	0.102	7.5	0.295
1 x 10 <sup>5</sup>	100	1	1.02	14.5	33.52	10.2	750.1	29.53
98,067	98.07	0.981	1	14.22	32.81	10	735.6	28.96
6895	6.895	0.069	0.0703	1	2.31	0.703	51.72	2.036
2984	2.984	0.03	0.0305	0.433	1	0.305	22.42	0.882
9789	9.789	0.098	0.1	1.42	3.28	1	73.42	2.891
133.3	0.133	0.0013	0.0014	0.019	0.045	0.014	1	0.039
3386	3.386	0.0338	0.0345	0.491	1.133	0.0345	25.4	1

## LENGTH

millimeter mm	centimeter cm	meter m	inch in	foot ft	yard yd
1	0.1	0.001	0.0394	0.0033	0.0011
10	1	0.01	0.3937	0.0328	0.0109
1000	100	1	39.3701	3.2808	1.0936
25.4	2.54	0.0254	1	0.0833	0.0278
304.8	30.48	0.3048	12	1	0.3333
914.4	91.44	0.9144	36	3	1

1 Kilometer = 1000 metres = 0.62137 miles 1 mile = 1609.37 metres = 1.60934 kilometers

## MASS

kilogram kg	pound lb	hundred weight (cwt)	tonne t	ton long tn	short ton sh tn
1	2.205	0.0197	0.001	9.84 x 10 <sup>-4</sup>	0.0011
0.454	1	0.0089	4.54 x 10 <sup>-4</sup>	4.46 x 10 <sup>-4</sup>	5.0 x 10 <sup>-4</sup>
50.802	112	1	0.0508	0.05	0.056
1000	2204.6	19.684	1	0.9842	1.1023
1016	2240	20	1.0161	1	1.102
907.2	2000	17.857	0.9072	0.8929	1

## TEMPERATURE

To Convert From	To	Use Formula
Temperature Celsius, tc	Temperature Kelvin, tk	K = tc + 273.15
Temperature Fahrenheit, tf	Temperature Kelvin, tk	K = (tf + 459.67 / 1.8)
Temperature Celsius, tc	Temperature Fahrenheit, tf	F = 1.8 tc + 32
Temperature Fahrenheit, tf	Temperature Celsius, tc	C = (tf - 32) / 1.8
Temperature Kelvin, tk	Temperature Celsius, tc	C = tk - 273.15
Temperature Kelvin, tk	Temperature Fahrenheit, tf	F = 1.8tk - 459.67

NOTES

A series of horizontal dotted lines for writing notes, starting from the 'NOTES' header and extending across the page.

# W I N N I N G W A Y S

When you have a good thing going it is quite in the fitting of things that recognitions come our way. Several prestigious awards, which decorate our shelf, say it all. These rewards not only acknowledge our position as a leader in the water pump industry but also serve as reminders about what the customer expects from a winner. And we, as ever, have our ears perfectly tuned to customer expectations.





## C.R.I. PUMPS (PVT) LIMITED

(International Division)

7/46-1, Keeranatham Road, Saravanampatty, Coimbatore - 641 035. India.

Phone : +91-422-7117310, 7117312, Fax : +91-422-7117300, e-mail : cri@crifluidsystems.com website : www.crifluidsystems.com

### BOMBAS C.R.I. ESPAÑA, S.L.

Poligono Industrial El Bony Calle 31, No. 137, 46470  
Catarroja (Valencia) Spain.

Tel : +34-96 1842 974, Fax : +34-96 1842 977

E-mail : admin-es@crifluidsystems.com, www.crifluidsystems.com

### BOMBAS C.R.I. ESPAÑA S.L. UNIPERSONAL

Via del Progresso 9/13, Pieve Emanuele, 20090, Milano, Italy  
E-mail : admin-it@crifluidsystems.com

Website : www.crifluidsystems.com

### C.R.I. BOMBAS HIDRÁULICAS LTDA

Av. Rodrigo Fernando Grillo, 457, Jd. Manacas,  
CEP - 14.801-534, Araraquara - SP, Brasil.

Fone : +55-16-3331 1099, Fax : +55-16-3331 5344

e-mail : cri@cribombas.com.br website : www.cribombas.com.br

Filial : Jabotão dos Guararapes-PE, Brasil

Fone : (81) 3093-9620, Fax : (81) 3093-9600

### C.R.I. PUMPS S.A. (PTY) LIMITED

Stand 63, Capital Hill Commercial Estate,

Cnr, K101 & Le Roux Avenue, Midrand -1685,

Johannesburg. South Africa. Phone : +27 11 8058631 /32,

E-mail : cri-za@crifluidsystems.com, Fax : +27-11-8058630

Web : www.crifluidsystems.com

### C.R.I. PUMPS (Shanghai) Co., Ltd.

Room 510, No 1855 Qixin Road, Minhang District,

Shanghai - 201101 China. Tel : +86-21-54405082, Fax : +86-21-54405083

e-mail : sales-chn@crifluidsystems.com web : www.crifluidsystems.com

### C.R.I. FLUID SYSTEMS USA LLC.

620 N Fairfield St, Amarillo, Texas 79107, USA.

Tel : 832-430-4660 E-mail : sales.us@crifluidsystems.com

Website : www.crifluidsystems.com

### C.R.I. FLUID SYSTEMS MEXICO S.DE R.L. DE C.V

Cuidad De Mexico

E-mail : sales.mx@crifluidsystems.com

website : www.crifluidsystems.com

### C.R.I. PUMPS (FZC)

P.O. Box : 7988 , L1-10, Sharjah Airport International Free Zone  
(SAIF-Zone) Sharjah, United Arab Emirates (UAE),

Tel: +971-6-5573041, email: service-uae@crifluidsystems.com

web: www.crifluidsystems.com

### C.R.I. FLUID SYSTEMS INC.,

Polyland Industrial Subdivision, Warehouse #3, Block 4,

Kendex St., Bo. Iba, Meycauyan, Bulacan, Philippines. Zip-3017.

Phone : +63 44 762 8887 / +63 44 802 6199, Fax : +63 44 762 8888

E-mail : sales\_ph@crigroups.com

Website : www.crifluidsystems.com

### PT. CRI FLUID SYSTEMS

Boutique Office Jalan Kawasan Industri & Pergudangan

Marunda Center Block C, No. 10, Kelurahan, Segaramakmur,

Kecamatan Tarumajaya Kabupaten, Bekasi,

Jawa Barat, Indonesia -17211. Telepon : 021 88998118

E-mail : sales.id@crifluidsystems.com,

Website : www.crifluidsystems.com



<https://www.linkedin.com/company/crifluid-systems>



<https://www.facebook.com/crifluidsystemsglobal/?ti=as>



<https://www.instagram.com/crifluidsystems/>